



# T&S BRASS AND BRONZE WORKS, INC.

2 Saddleback Cove / P.O. Box 1088  
Travelers Rest, SC 29690



REG. #A2601  
ISO #9001

Model No.

**B-0221-EE**

Item No.

Travelers Rest, SC: 800-476-4103 • Simi Valley, CA: 800-423-0150 • Fax: 864-834-3518 • www.tsbrass.com

This Space for Architect/Engineer Approval

Job Name \_\_\_\_\_ Date \_\_\_\_\_

Model Specified \_\_\_\_\_ Quantity \_\_\_\_\_

Customer/Wholesaler \_\_\_\_\_

Contractor \_\_\_\_\_

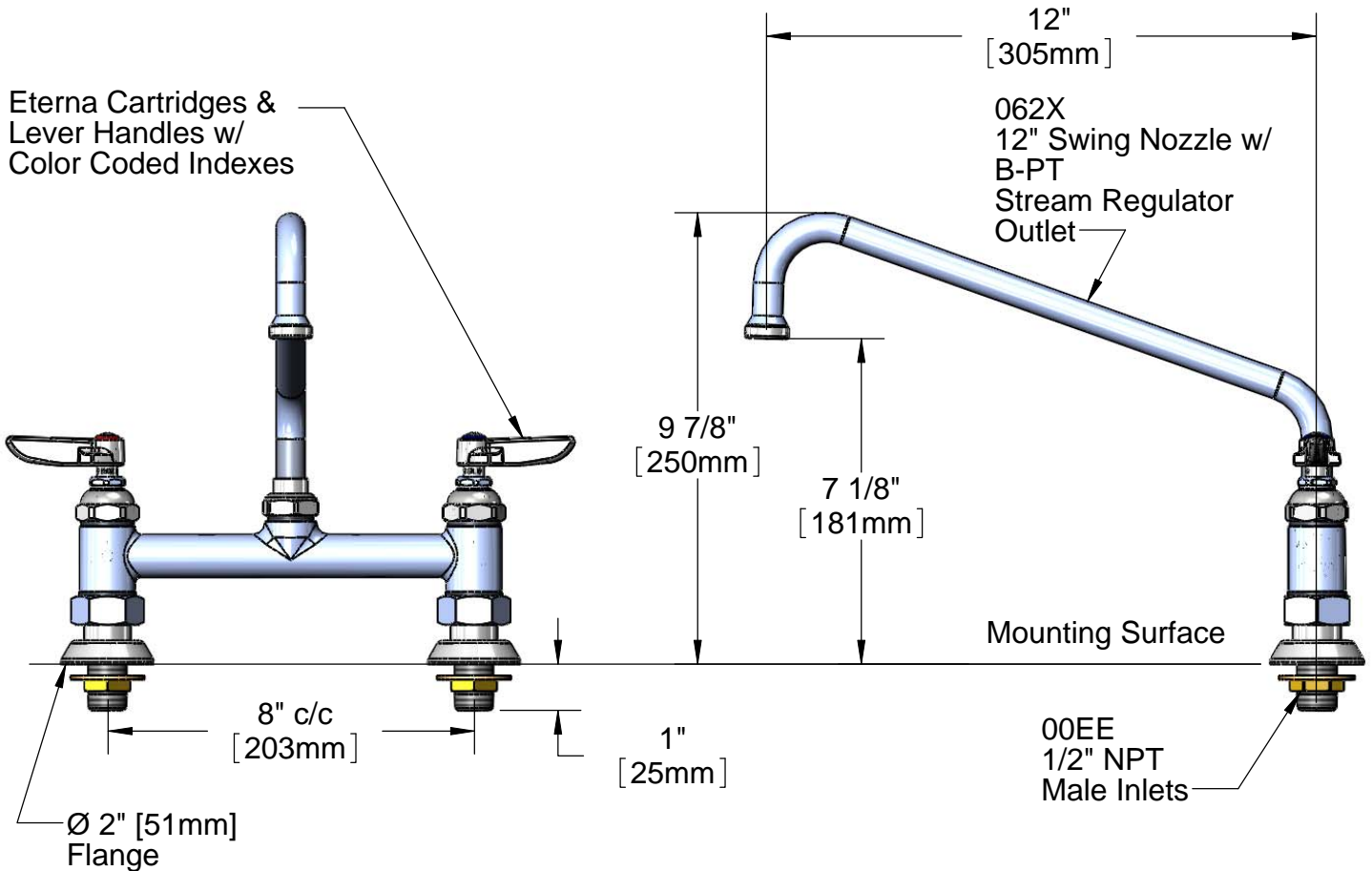
Architect/Engineer \_\_\_\_\_



**ADA Compliant**



Eterna Cartridges & Lever Handles w/ Color Coded Indexes



Note: Rough-In Requirement  
(2) Ø 1" [25mm] Mounting Holes

Product Specifications:

Double Pantry Faucet w/ Eterna Cartridges, 12" Swing Nozzle w/ B-PT Stream Regulator Outlet, Lever Handles & 00EE 1/2" NPT Male Inlets

Drawn

**DHL**

Checked

**KJG**

Approved

**JHB**

Scale:

**1:4**

Date:

**04/11/11**



**T&S BRASS AND BRONZE WORKS, INC.**

2 Saddleback Cove / P.O. Box 1088  
Travelers Rest, SC 29690



REG. #A2601  
ISO #9001

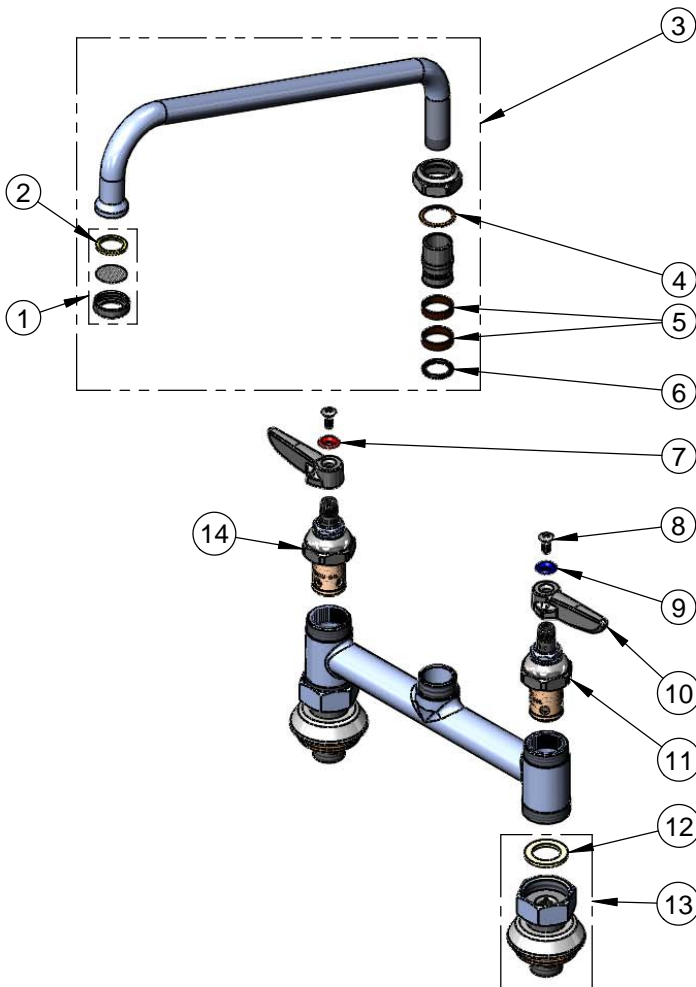
Model No.

**B-0221-EE**

Item No.

Travelers Rest, SC: 800-476-4103 Simi Valley, CA: 800-423-0150 Fax: 864-834-3518 www.tsbrass.com

ITEM NO.	SALES NO.	DESCRIPTION
1	B-PT	Stream Regulator
2	001048-45	Nozzle Tip Washer
3	062X	12" Swing Nozzle Assembly w/ B-PT Stream Regulator
4	009538-45	Swivel Washer
5	011429-45	Swivel Sleeves (2)
6	001074-45	O-Ring
7	001661-45	Red Index-HW
8	000922-45	Lever Handle Screw
9	001660-45	Blue Index-CW
10	001638-45	Lever Handle
11	005959-40	Eterna Cartridge - LTC
12	001019-45	Coupling Nut Washer
13	00EE	Inlet Flange Assembly
14	005960-40	Eterna Cartridge - RTC



Product Specifications:

Double Pantry Faucet w/ Eterna Cartridges, 12" Swing Nozzle w/ B-PT Stream Regulator Outlet, Lever Handles & 00EE 1/2" NPT Male Inlets

Drawn <b>DHL</b>	Checked <b>KJG</b>	Approved <b>JHB</b>
Scale: <b>NTS</b>		Date: <b>04/11/11</b>