



T&S BRASS AND BRONZE WORKS, INC.
 2 Saddleback Cove / P.O. Box 1088
 Travelers Rest, SC 29690

Model No.
B-0230-LN

Item No.

Travelers Rest, SC: 800-476-4103 • Simi Valley, CA: 800-423-0150 • Fax: 864-834-3518 • www.tsbrass.com



ADA Compliant

This Space for Architect/Engineer Approval

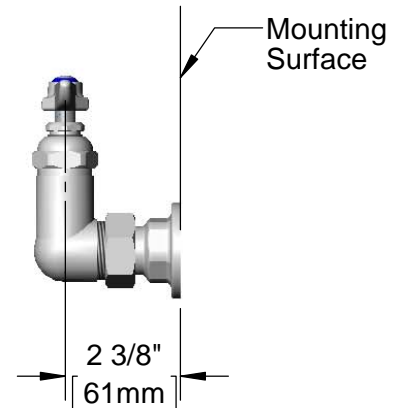
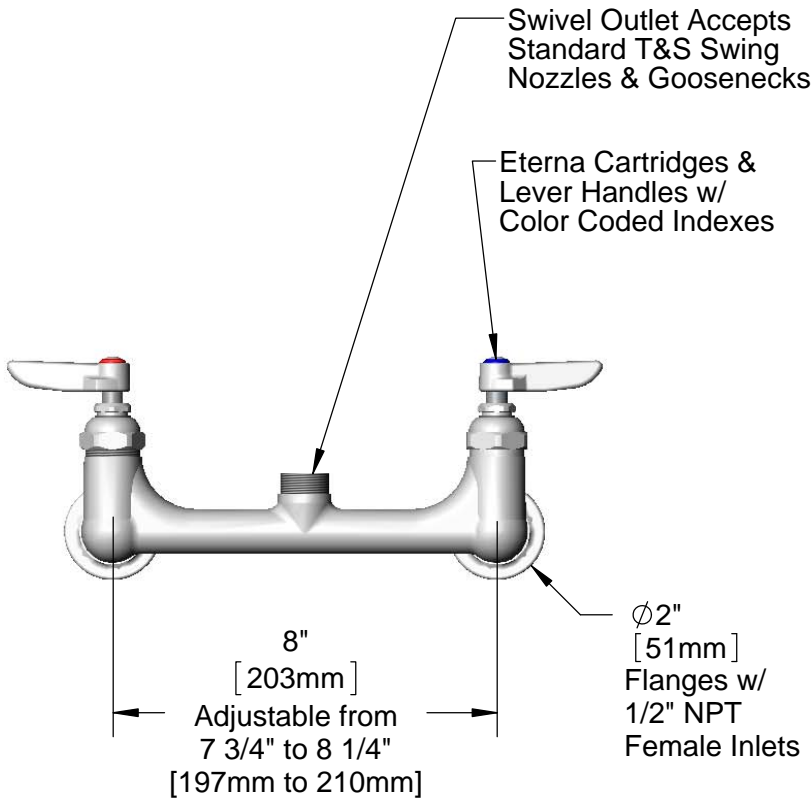
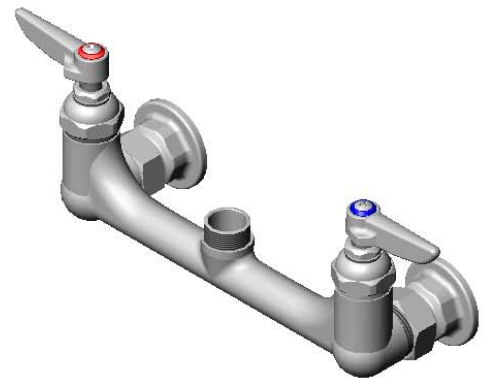
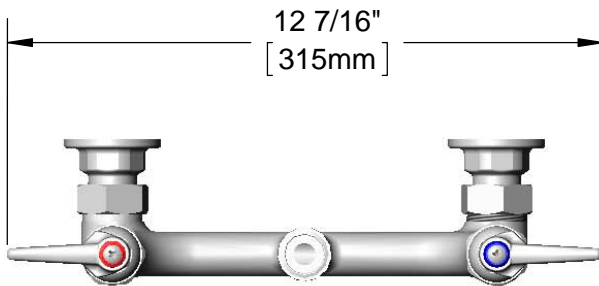
Job Name _____ Date _____

Model Specified _____ Quantity _____

Customer/Wholesaler _____

Contractor _____

Architect/Engineer _____



Product Specifications:
 8" Wall Mount Mixing Faucet Less Nozzle w/ Eterna Cartridges,
 Lever Handles & 1/2" NPT Female Inlets

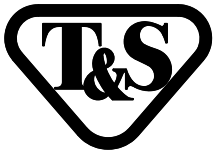
Drawn
KJG

Checked
DHL

Approved
JHB

Scale:
1:4

Date:
05/30/12



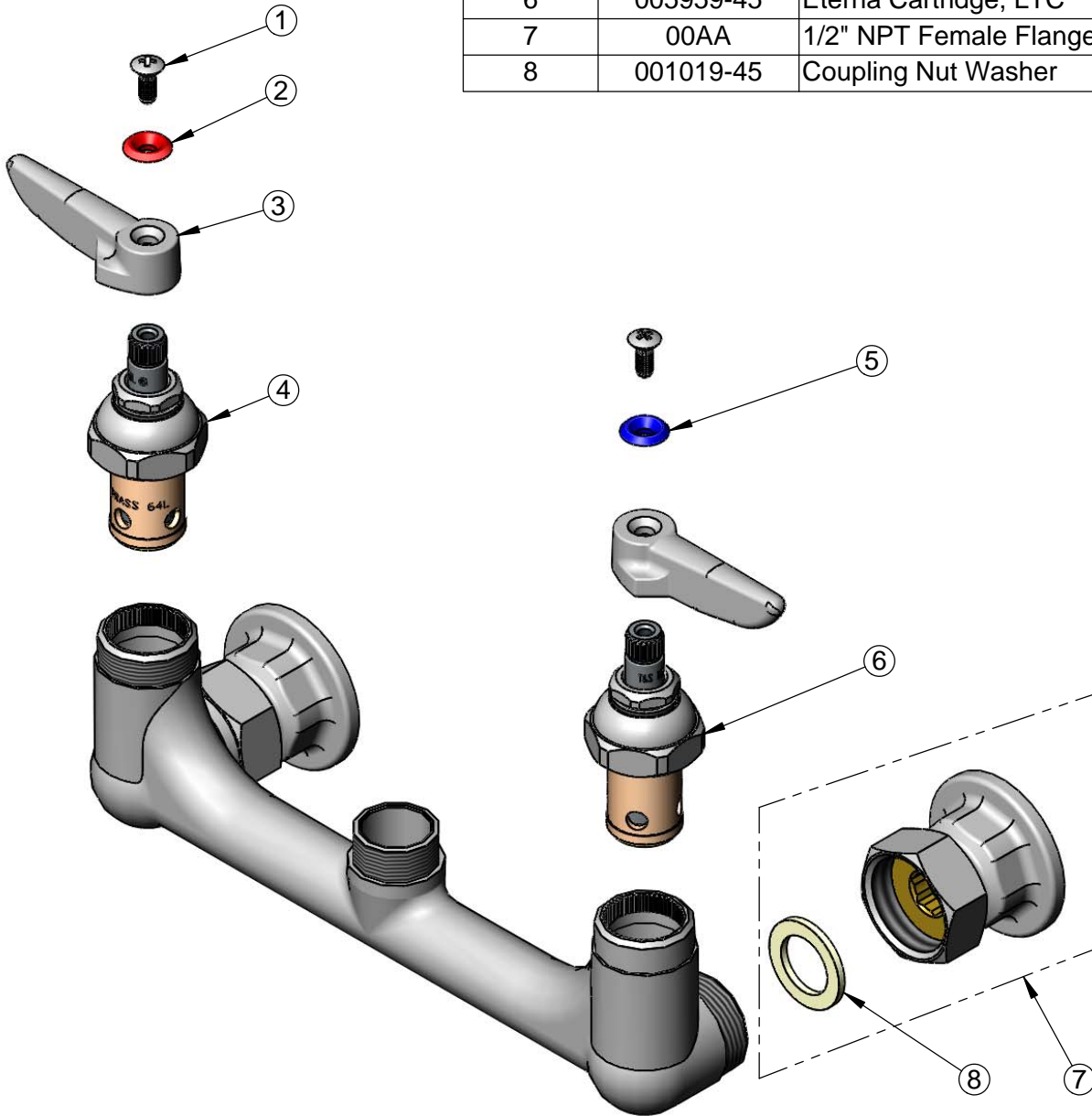
T&S BRASS AND BRONZE WORKS, INC.
 2 Saddleback Cove / P.O. Box 1088
 Travelers Rest, SC 29690

Model No.
B-0230-LN

Item No.

Travelers Rest, SC: 800-476-4103 • Simi Valley, CA: 800-423-0150 • Fax: 864-834-3518 • www.tsbrass.com

ITEM NO.	SALES NO.	DESCRIPTION
1	000922-45	Lever Handle Screw
2	001661-45	Red Index-HW
3	001638-45	Lever Handle
4	005960-40	Eterna Cartridge, RTC
5	001660-45	Blue Index-CW
6	005959-45	Eterna Cartridge, LTC
7	00AA	1/2" NPT Female Flange Assembly
8	001019-45	Coupling Nut Washer



Product Specifications:
 8" Wall Mount Mixing Faucet Less Nozzle w/ Eterna Cartridges,
 Lever Handles & 1/2" NPT Female Inlets

Drawn KJG	Checked DHL	Approved JHB
Scale: NTS		Date: 05/30/12