



T&S BRASS AND BRONZE WORKS, INC.

2 Saddleback Cove / P.O. Box 1088
Travelers Rest, SC 29690



REG. #A2601
ISO #9001

Model No.
B-0235-LN

Item No.

Travelers Rest, SC: 800-476-4103 Simi Valley, CA: 800-423-0150 Fax: 864-834-3518 www.tsbrass.com

This Space for Architect/Engineer Approval

Job Name _____ Date _____

Model Specified _____ Quantity _____

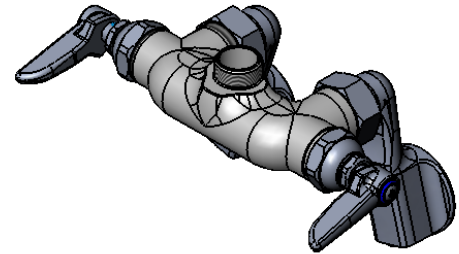
Customer/Wholesaler _____

Contractor _____

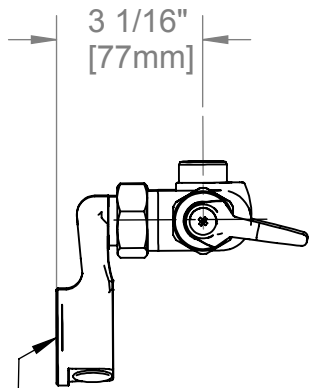
Architect/Engineer _____



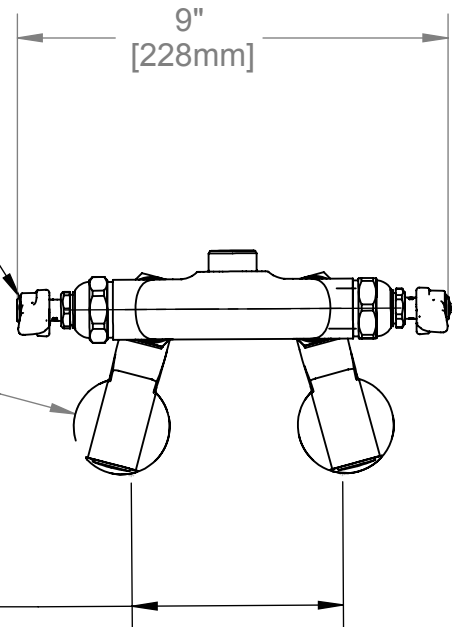
ADA Compliant



Lever Handles w/
Color Coded Indexes



1/2" NPT Female Inlet



Inlets Adjustable from
2 1/4" to 8 1/4" c/c
[57mm] [210mm]
Below or Above Centerline

Product Specifications:

**Combination Sink Polish Chrome Faucet Less Nozzle
with Adjustable Inlet Arms**

Drawn
ARH

Checked
DHL

Approved
JHB

Scale:

1:4

Date:

12/20/07



T&S BRASS AND BRONZE WORKS, INC.

2 Saddleback Cove / P.O. Box 1088
Travelers Rest, SC 29690



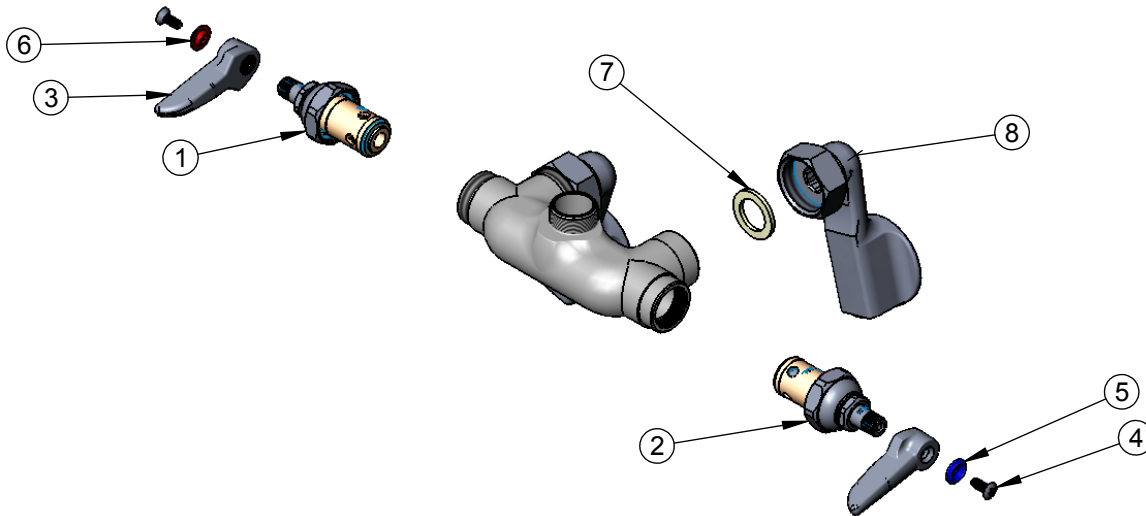
REG. #A2601
ISO #9001

Model No.
B-0235-LN

Item No.

Travelers Rest, SC: 800-476-4103 Simi Valley, CA: 800-423-0150 Fax: 864-834-3518 www.tsbrass.com

ITEM NO.	SALES NO.	DESCRIPTION
1	005960-40	Spindle Asm, Eterna "Hot"
2	005959-40	Spindle Asm. Eterna "Cold"
3	001638-45	Lever Handle
4	000922-45	Lever Handle Screw
5	001660-45	Blue Index-CW
6	001661-45	Red Index-HW
7	001019-45	Washer, Coupling Nut
8	00GG	Flange Assembly, 1/2" NPT, Adjustable



Product Specifications:

Combination Sink Polish Chrome Faucet Less Nozzle
with Adjustable Inlet Arms

Drawn ARH	Checked DHL	Approved JHB
Scale: 1:4		Date: 12/20/07