



# T&S BRASS AND BRONZE WORKS, INC.

2 Saddleback Cove / P.O. Box 1088  
Travelers Rest, SC 29690

Model No.

**B-0250**

Item No.

Travelers Rest, SC: 800-476-4103 • Simi Valley, CA: 800-423-0150 • Fax: 864-834-3518 • www.tsbrass.com



**ADA Compliant**

This Space for Architect/Engineer Approval

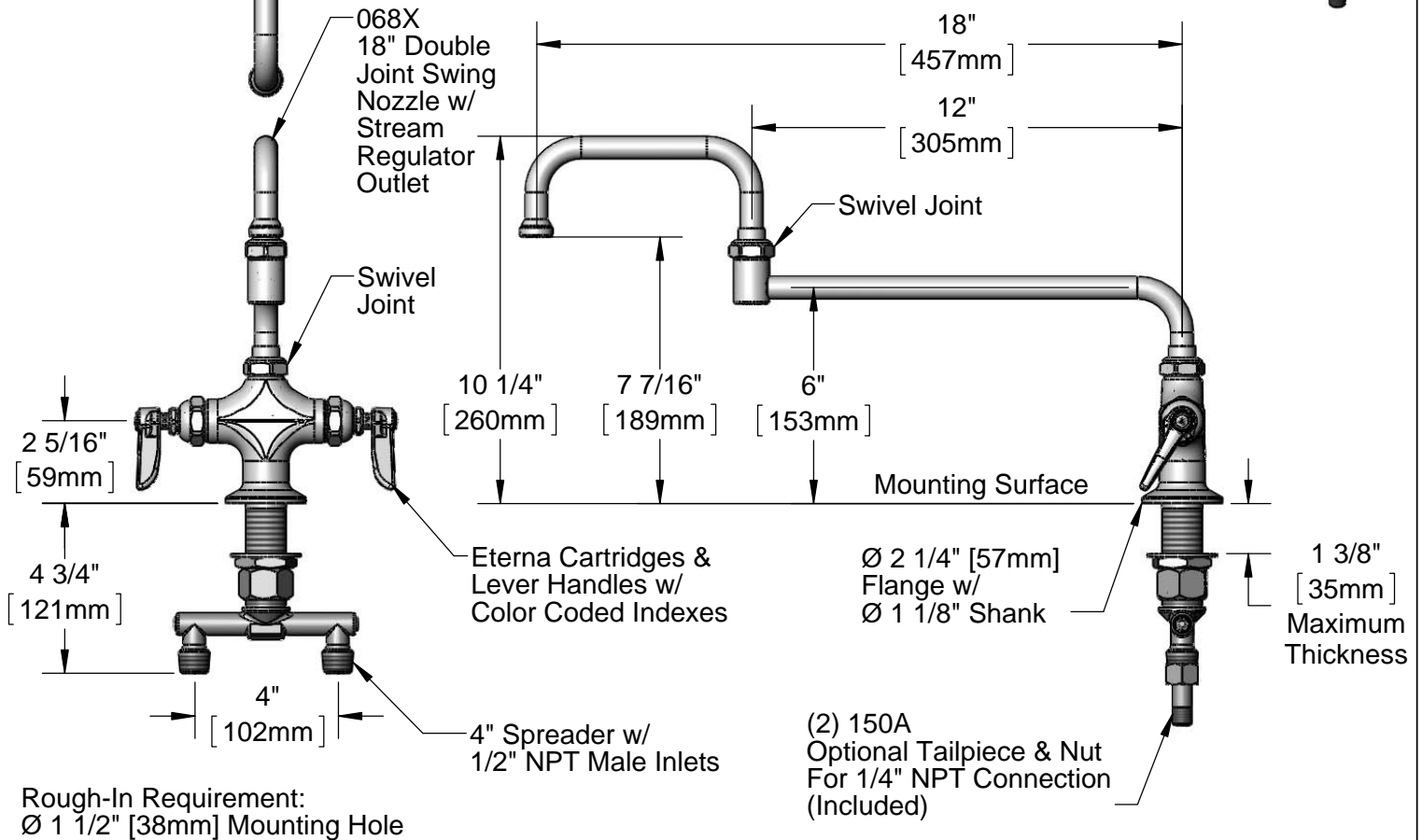
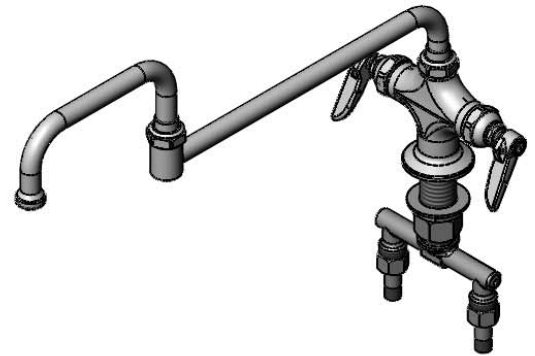
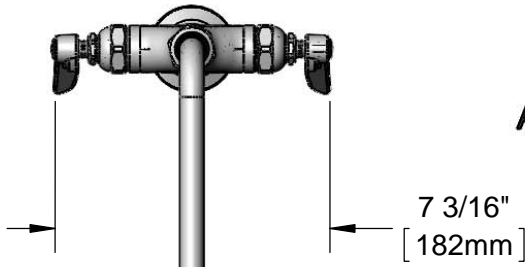
Job Name \_\_\_\_\_ Date \_\_\_\_\_

Model Specified \_\_\_\_\_ Quantity \_\_\_\_\_

Customer/Wholesaler \_\_\_\_\_

Contractor \_\_\_\_\_

Architect/Engineer \_\_\_\_\_



Product Specifications:  
Single Hole Deck Mount Mixing Faucet, Eterna Cartridges, Lever Handles, 18" Double Joint Swing Nozzle & 4" Spreader w/ 1/2" NPT Male Inlets

Drawn <b>DHL</b>	Checked <b>DMH</b>	Approved <b>JHB</b>
Scale: <b>1:5</b>		Date: <b>11/02/12</b>



# T&S BRASS AND BRONZE WORKS, INC.

2 Saddleback Cove / P.O. Box 1088

Travelers Rest, SC 29690

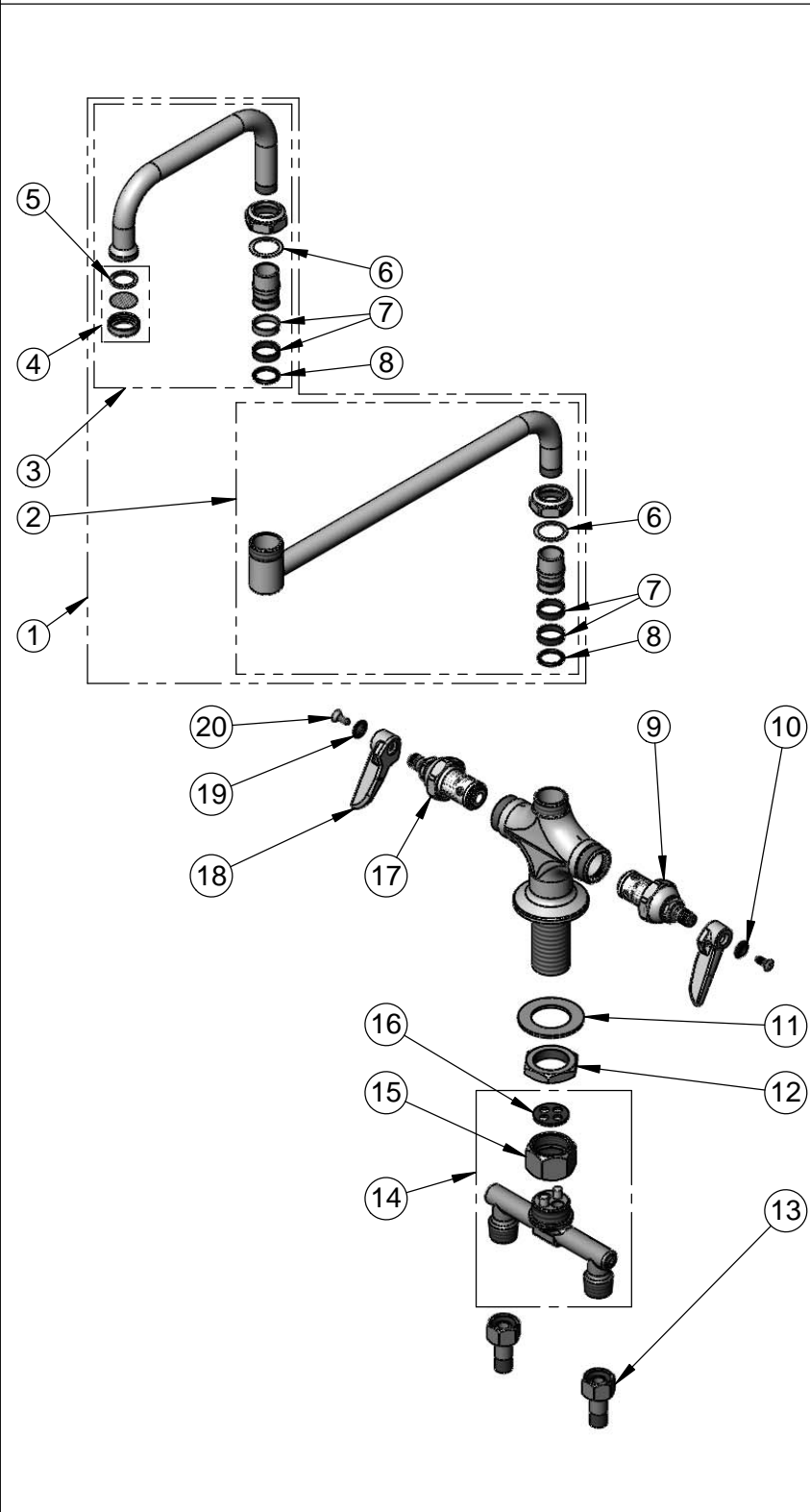
Model No.

**B-0250**

Item No.

Travelers Rest, SC: 800-476-4103 • Simi Valley, CA: 800-423-0150 • Fax: 864-834-3518 • www.tsbrass.com

ITEM NO.	SALES NO.	DESCRIPTION
1	068X	18" Double Joint Swing Nozzle
2	002871-40	Double Joint Swing Nozzle, 12" Back Section
3	153X	Double Joint Swing Nozzle, 6" Front Section
4	B-PT	Stream Regulator
5	001048-45	Nozzle Tip Washer
6	009538-45	Swivel Washer
7	011429-45	Swivel Sleeves (2)
8	001074-45	O-Ring
9	005959-40	Eterna Cartridge, LTC
10	001660-45	Blue Index-CW
11	002290-45	Lock Washer
12	000965-45	Lock Nut
13	150A	Bag of (1) Tailpiece & (1) Nut
14	002898-40	4" Spreader Unit
15	000736-20	Spreader Coupler Nut
16	001041-45	Spreader Washer
17	005960-40	Eterna Cartridge, RTC
18	001638-45	Lever Handle
19	001661-45	Red Index-HW
20	000922-45	Lever Handle Screw



Product Specifications:  
 Single Hole Deck Mount Mixing Faucet, Eterna Cartridges,  
 Lever Handles, 18" Double Joint Swing Nozzle & 4" Spreader  
 w/ 1/2" NPT Male Inlets

Drawn <b>DHL</b>	Checked <b>DMH</b>	Approved <b>JHB</b>
Scale: <b>NTS</b>		Date: <b>11/02/12</b>