



# T&S BRASS AND BRONZE WORKS, INC.

2 Saddleback Cove / P.O. Box 1088  
Travelers Rest, SC 29690

Model No.

**B-0266**

Item No.

Travelers Rest, SC: 800-476-4103 • Simi Valley, CA: 800-423-0150 • Fax: 864-834-3518 • www.tsbrass.com



**ADA Compliant**

This Space for Architect/Engineer Approval

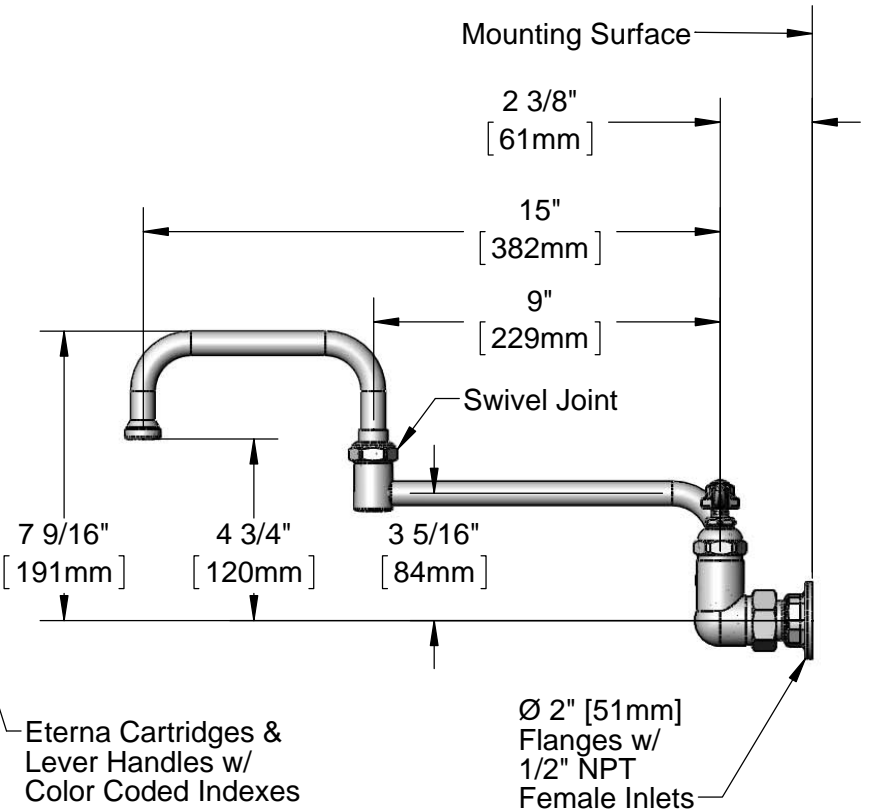
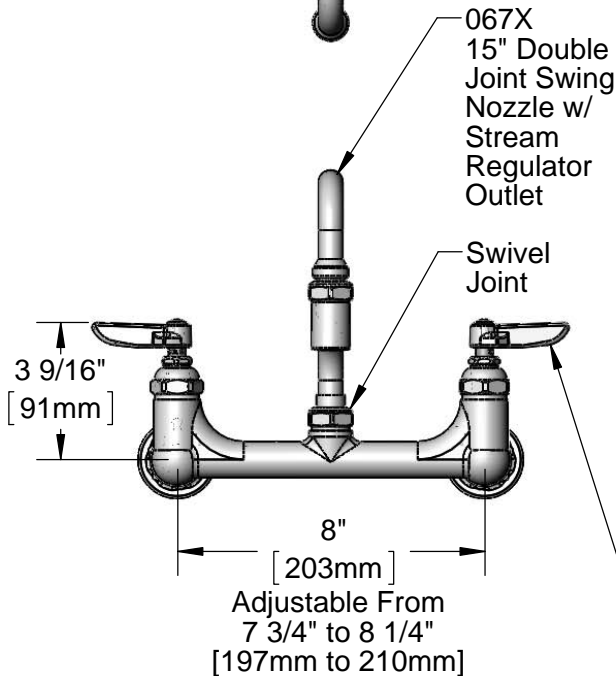
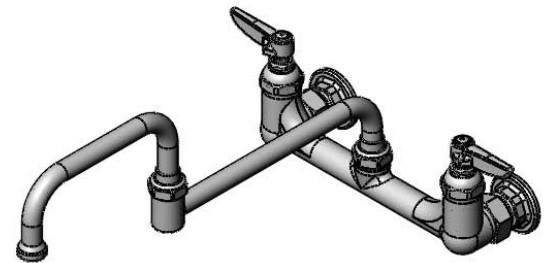
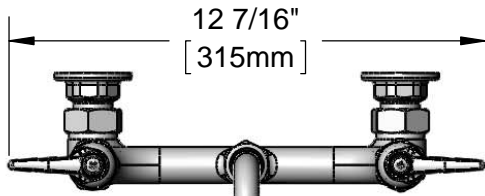
Job Name \_\_\_\_\_ Date \_\_\_\_\_

Model Specified \_\_\_\_\_ Quantity \_\_\_\_\_

Customer/Wholesaler \_\_\_\_\_

Contractor \_\_\_\_\_

Architect/Engineer \_\_\_\_\_



Product Specifications:  
8" Wall Mount Mixing Faucet, Eterna Cartridges,  
Lever Handles, 15" Double Joint Swing Nozzle &  
1/2" NPT Male Inlets

Drawn

**DHL**

Checked

**DMH**

Approved

**JHB**

Scale:

**1:5**

Date:

**11/02/12**



# T&S BRASS AND BRONZE WORKS, INC.

2 Saddleback Cove / P.O. Box 1088

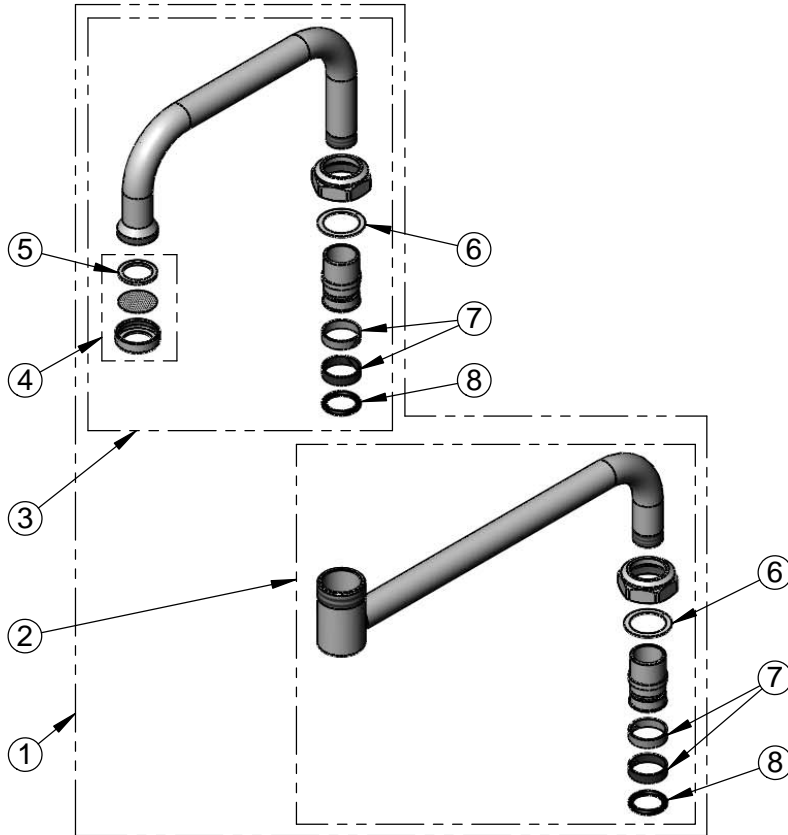
Travelers Rest, SC 29690

Model No.

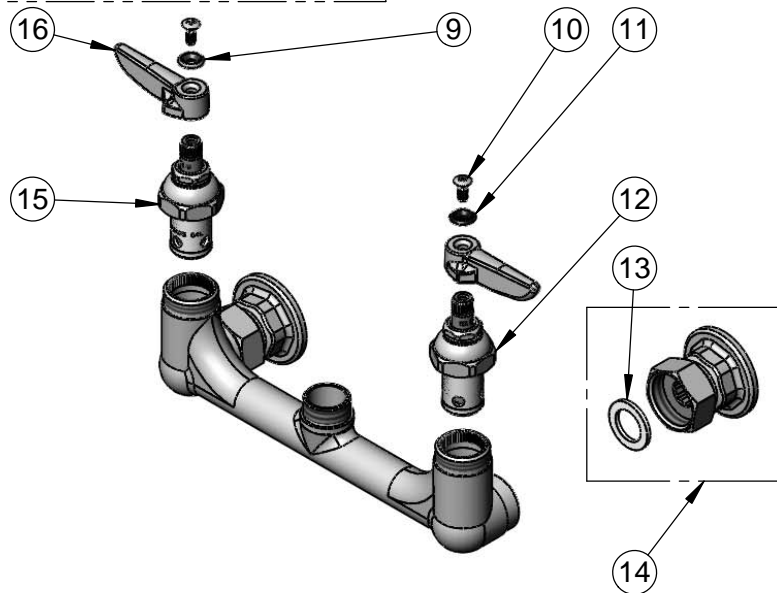
**B-0266**

Item No.

Travelers Rest, SC: 800-476-4103 • Simi Valley, CA: 800-423-0150 • Fax: 864-834-3518 • www.tsbrass.com



ITEM NO.	SALES NO.	DESCRIPTION
1	067X	15" Double Joint Swing Nozzle
2	152X	Double Joint Swing Nozzle, 9" Back Section
3	153X	Double Joint Swing Nozzle, 6" Front Section
4	B-PT	Stream Regulator
5	001048-45	Nozzle Tip Washer
6	009538-45	Swivel Washer
7	011429-45	Swivel Sleeves (2)
8	001074-45	O-Ring
9	001661-45	Red Index-HW
10	000922-45	Lever Handle Screw
11	001660-45	Blue Index-CW
12	005959-40	Eterna Cartridge, LTC
13	001019-45	Coupling Nut Washer
14	00AA	1/2" NPT Female Eccentric Flange
15	005960-40	Eterna Cartridge, RTC
16	001638-45	Lever Handle



Product Specifications:  
 8" Wall Mount Mixing Faucet, Eterna Cartridges,  
 Lever Handles, 15" Double Joint Swing Nozzle &  
 1/2" NPT Male Inlets

Drawn <b>DHL</b>	Checked <b>DMH</b>	Approved <b>JHB</b>
Scale: <b>NTS</b>		Date: <b>11/02/12</b>