



T&S BRASS AND BRONZE WORKS, INC.

2 Saddleback Cove / P.O. Box 1088
Travelers Rest, SC 29690

Model No.

B-0287

Item No.

Travelers Rest, SC: 800-476-4103 • Simi Valley, CA: 800-423-0150 • Fax: 864-834-3518 • www.tsbrass.com

This Space for Architect/Engineer Approval

Job Name _____ Date _____

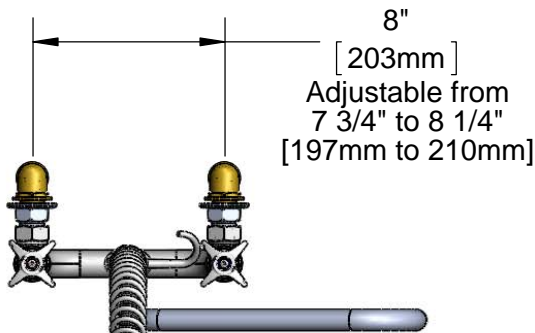
Model Specified _____ Quantity _____

Customer/Wholesaler _____

Contractor _____

Architect/Engineer _____

EPAct 2005 Compliant



44" Flex Hose w/
Overhead Spring &
Spray Valve Assembly

B-0107
Spray Valve
1.42 GPM

Finger Hook

3/8" NPT x
18" Riser

38 5/8"
[981mm]

Items Not Shown
for Clarity

EasyInstall
Lock Nut &
Bushing

12"
[305mm]

4-Arm Handles
w/ Color Coded
Indexes

Faucet Body
w/ Integral
Check Valves

9 13/16"
[249mm]

Ø2"
[52mm]
Flange

9 1/8"
[231mm]

14 1/16"
[357mm]

2 3/8"
[60mm]

Rough-In Requirement:
(2) Ø 1 1/4" [32mm] Mounting Holes

3/4" NPT
Elbows

B-0286-LNEZ
Add-On Faucet
w/ 114X
12" BIG-FLO
Swing Nozzle

2 1/2"
[64mm]

Mounting
Surface

1 1/16"
[27mm]

Product Specifications:
8" c/c Back Splash Mount PRU w/ BIG-FLO Base Faucet w/
Check Valves, EasyInstall BIG-FLO Add-On Faucet, Overhead
Spring, 44" Flex Hose, B-0107 Spray Valve & 12" Swing Nozzle

Drawn

JRM

Checked

DMH

Approved

JHB

Scale:

1:8

Date:

05/11/12



T&S BRASS AND BRONZE WORKS, INC.

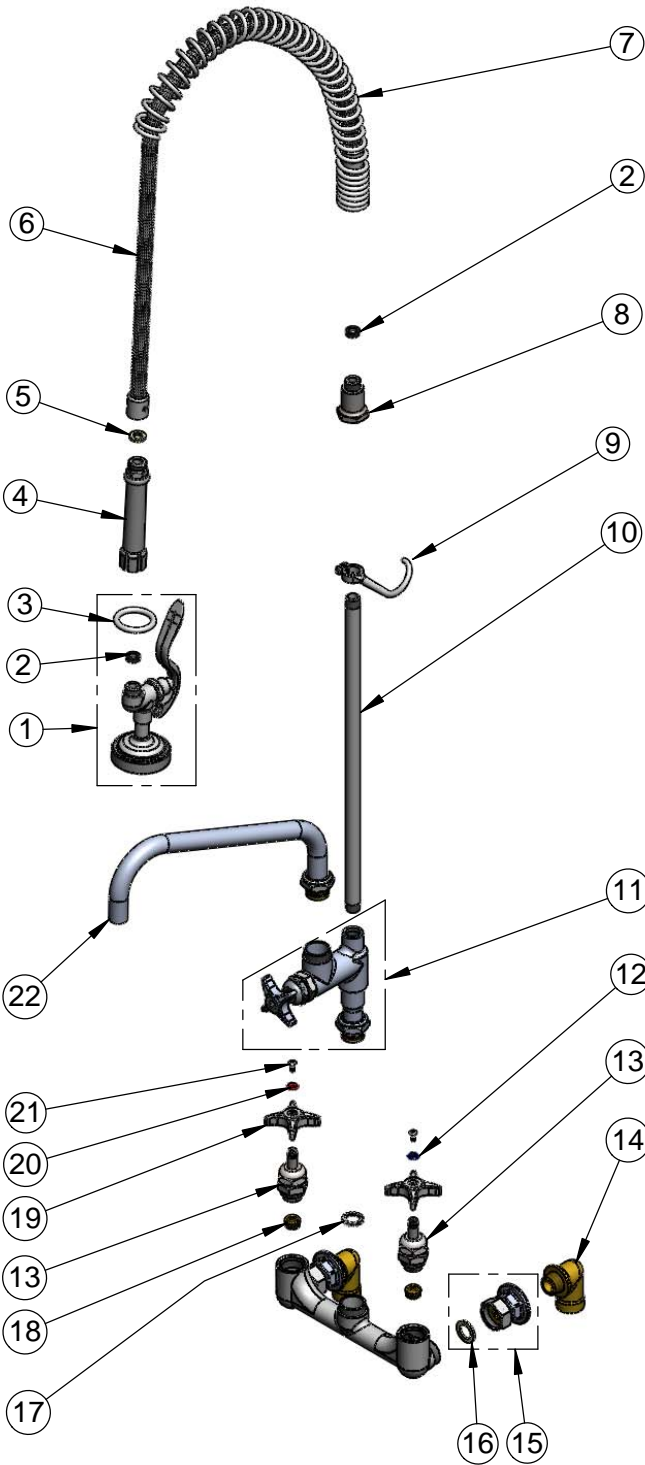
2 Saddleback Cove / P.O. Box 1088
Travelers Rest, SC 29690

Model No.

B-0287

Item No.

Travelers Rest, SC: 800-476-4103 • Simi Valley, CA: 800-423-0150 • Fax: 864-834-3518 • www.tsbrass.com



ITEM NO.	SALES NO.	DESCRIPTION
1	B-0107	Spray Valve w/ Hold Down Ring & Washer
2	010476-45	#27 Washer
3	000907-45	Spray Valve Hold Down Ring
4	002987-40	Grip Handle Assembly
5	001014-45	Washer, B-0100 Hose Barrel
6	B-0044-H2A	SS Flex Hose
7	000888-45	EasyInstall Overhead Spring
8	000821-40	Spring Body
9	004R	Finger Hook Assembly
10	000369-40	3/8" NPT x 18" Long Riser
11	B-0286-LNEZ	EasyInstall Big-Flo Add-On Faucet
12	001660-45	Blue Index-CW
13	006482-40	B-0290 BIG-FLO Cartridge, RTC
14	00LL	B-0290 Elbow Assembly
15	00BB	Flange Assembly
16	001019-45	Coupling Nut Washer
17	016807-45	Serrated Lock Washer
18	000764-20	Seat, B-290 RM
19	002521-45	4-Arm Handle
20	001661-45	Red Index-HW
21	000922-45	Lever Handle Screw
22	114X	B-0290 12" Nozzle

Product Specifications:

8" c/c Back Splash Mount PRU w/ BIG-FLO Base Faucet w/ Check Valves, EasyInstall BIG-FLO Add-On Faucet, Overhead Spring, 44" Flex Hose, B-0107 Spray Valve & 12" Swing Nozzle

Drawn

JRM

Checked

DMH

Approved

JHB

Scale:

NTS

Date:

05/11/12