



T&S BRASS AND BRONZE WORKS, INC.

2 Saddleback Cove / P.O. Box 1088
Travelers Rest, SC 29690



REG. #A2601
ISO #9001

Model No.
B-0321-CC-CR

Item No.

Travelers Rest, SC: 800-476-4103 Simi Valley, CA: 800-423-0150 Fax: 864-834-3518 www.tsbrass.com

This Space for Architect/Engineer Approval

Job Name _____ Date _____

Model Specified _____ Quantity _____

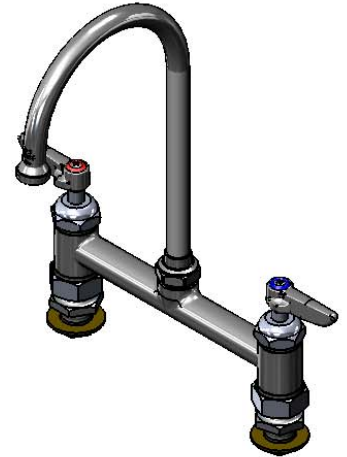
Customer/Wholesaler _____

Contractor _____

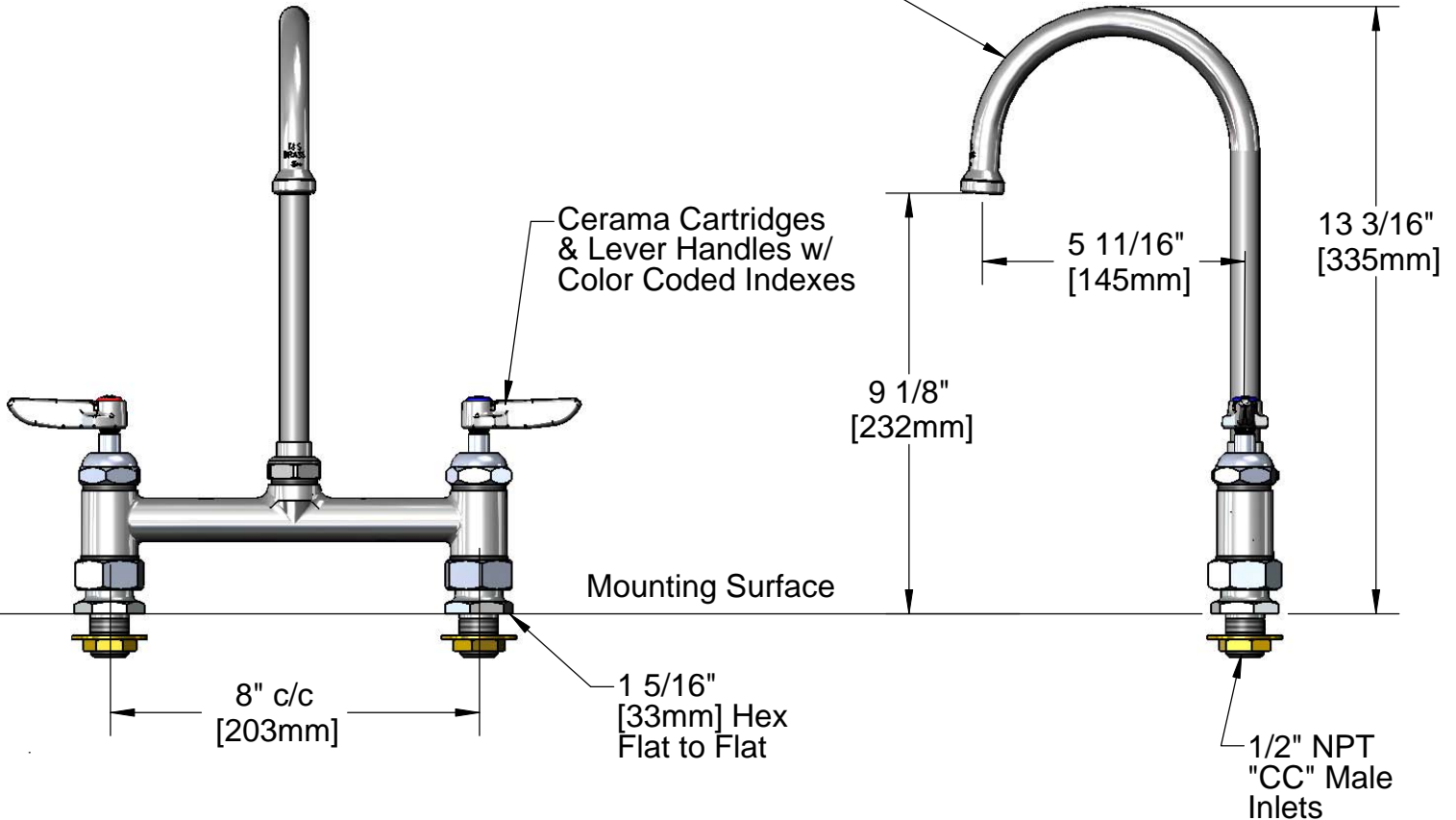
Architect/Engineer _____



ADA Compliant



133X
Swivel Gooseneck
w/ B-PT Stream
Regulator Outlet



Note: Rough-In Requirements
(2) ϕ 1" [25mm] Mounting Holes

Product Specifications:

8" C/C Deck Mount Mixing Faucet w/ Cerama Cartridges, Lever Handles, Swivel Gooseneck w/ B-PT Stream Regulator Outlet & 1/2" NPT "CC" Male Inlets

Drawn KJG	Checked DMH	Approved JHB
Scale: 1:4		Date: 07/12/10



T&S BRASS AND BRONZE WORKS, INC.

2 Saddleback Cove / P.O. Box 1088
Travelers Rest, SC 29690



REG. #A2601
ISO #9001

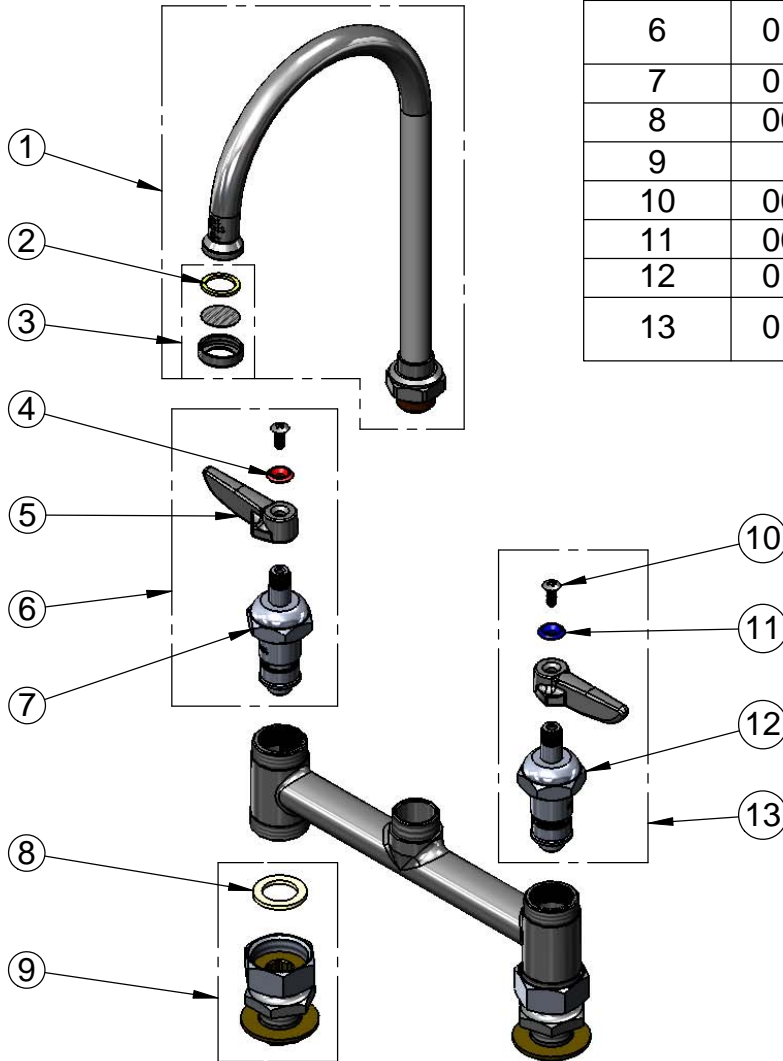
Model No.

B-0321-CC-CR

Item No.

Travelers Rest, SC: 800-476-4103 Simi Valley, CA: 800-423-0150 Fax: 864-834-3518 www.tsbrass.com

ITEM NO.	SALES NO.	DESCRIPTION
1	133X	Swivel Gooseneck
2	001048-45	Nozzle Tip Washer
3	B-PT	Stream Regulator Outlet
4	001661-45	Red Index-HW
5	001638-45	Lever Handle
6	012444-25	Hot Cerama Cartridge w/ Handle, Index & Screw
7	011278-25	Ceramic Cartridge RTC
8	001019-45	Coupling Nut Washer
9	00CC	Male Inlet, 1/2" NPT
10	000922-45	Lever Handle Screw
11	001660-45	Blue Index-CW
12	011279-25	Ceramic Cartridge LTC
13	012445-25	Cold Cerama Cartridge w/ Handle, Index & Screw



Product Specifications:

8" C/C Deck Mount Mixing Faucet w/ Cerama Cartridges, Lever Handles, Swivel Gooseneck w/ B-PT Stream Regulator Outlet & 1/2" NPT "CC" Male Inlets

Drawn KJG	Checked DMH	Approved JHB
Scale: 1:4		Date: 07/12/10