

**T&S BRASS AND BRONZE WORKS, INC.**  
 2 Saddleback Cove / P.O. Box 1088  
 Travelers Rest, SC 29690

Model No.  
**B-0456**

Item No.

Travelers Rest, SC: 800-476-4103 • Simi Valley, CA: 800-423-0150 • Fax: 864-834-3518 • www.tsbrass.com

This Space for Architect/Engineer Approval

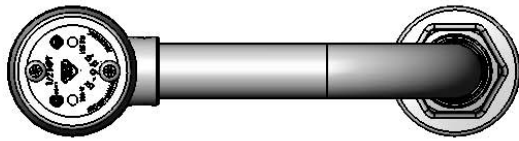
Job Name \_\_\_\_\_ Date \_\_\_\_\_

Model Specified \_\_\_\_\_ Quantity \_\_\_\_\_

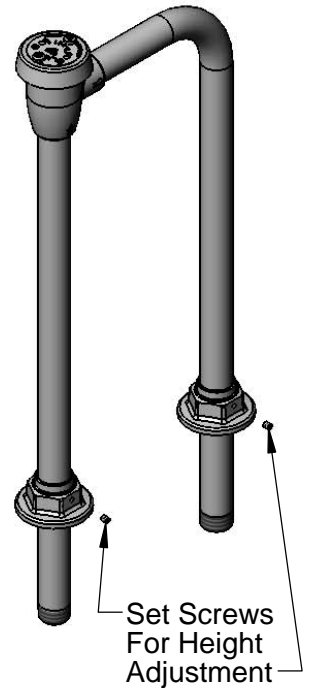
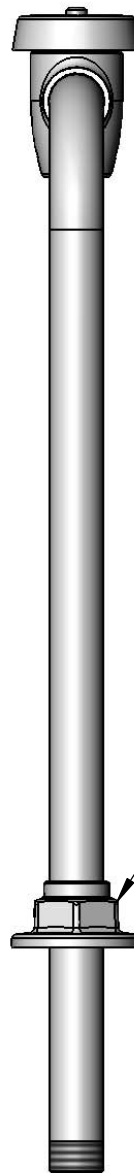
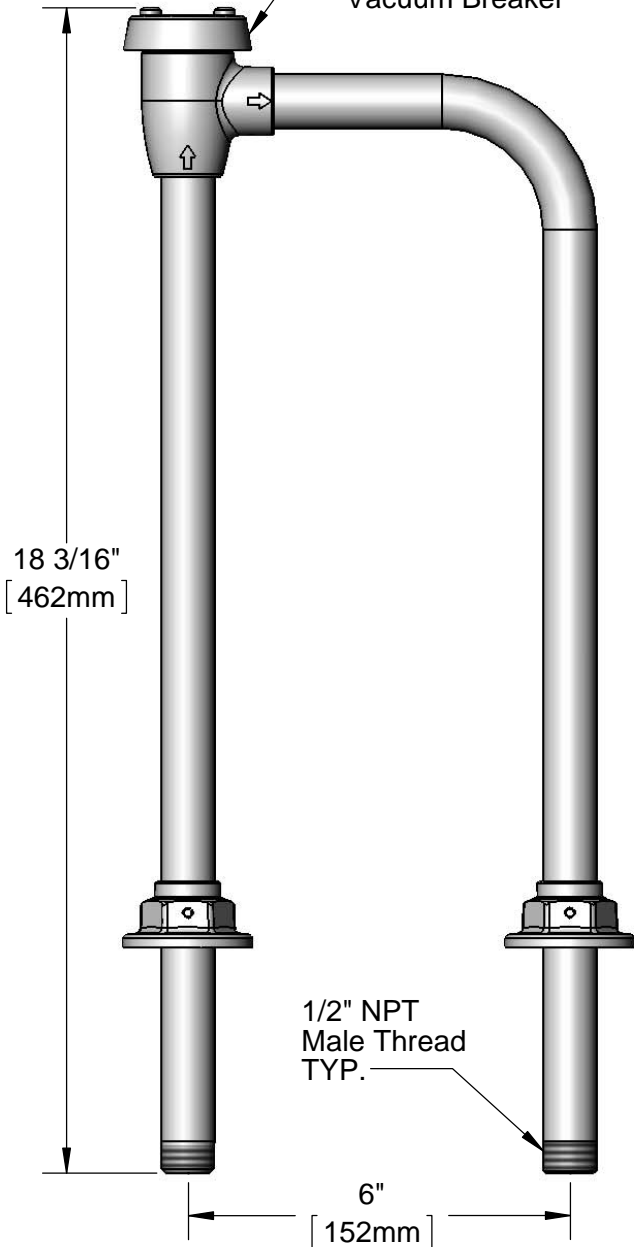
Customer/Wholesaler \_\_\_\_\_

Contractor \_\_\_\_\_

Architect/Engineer \_\_\_\_\_



B-0969  
 1/2" NPT  
 Vacuum Breaker



Note:  
 Pipe Must be Held  
 Rigid Under Sink by  
 Connection Fittings,  
 Brace, Etc.

Rough-In Requirement:  
 (2) Ø1 1/4" [32mm]  
 Mounting Holes

Product Specifications:  
 1/2" NPT Vacuum Breaker Unit, 6" c/c

Drawn <b>DHL</b>	Checked <b>DMH</b>	Approved <b>JHB</b>
Scale: <b>1:3</b>		Date: <b>11/02/12</b>