



T&S BRASS AND BRONZE WORKS, INC.

2 Saddleback Cove / P.O. Box 1088
Travelers Rest, SC 29690



REG. #A2601
ISO #9001

Model No.

B-0520

Item No.

Travelers Rest, SC: 800-476-4103 • Simi Valley, CA: 800-423-0150 • Fax: 864-834-3518 • www.tsbrass.com

This Space for Architect/Engineer Approval

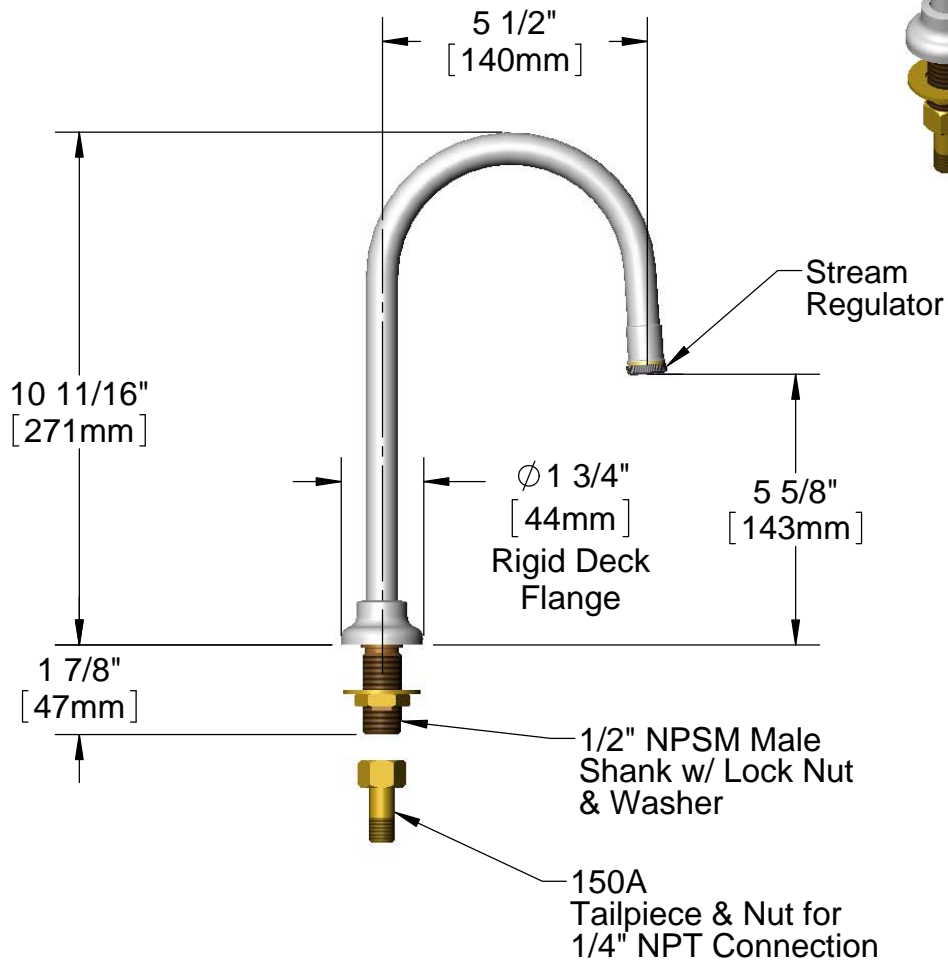
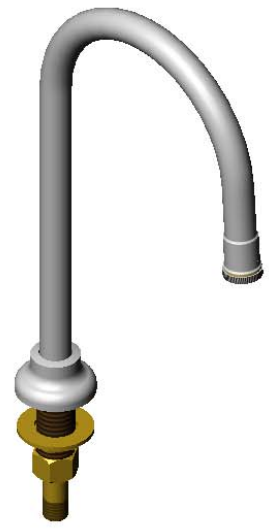
Job Name _____ Date _____

Model Specified _____ Quantity _____

Customer/Wholesaler _____

Contractor _____

Architect/Engineer _____



Product Specifications:
Dummy Gooseneck: 1/2" NPSM Male Shank
120X Rigid Gooseneck w/ Stream Regulator

Drawn DMH	Checked KJG	Approved JHB
Scale: 1:4		Date: 09/30/11



T&S BRASS AND BRONZE WORKS, INC.

2 Saddleback Cove / P.O. Box 1088
 Travelers Rest, SC 29690



REG. #A2601
 ISO #9001

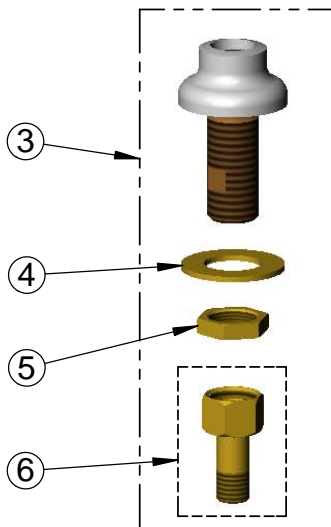
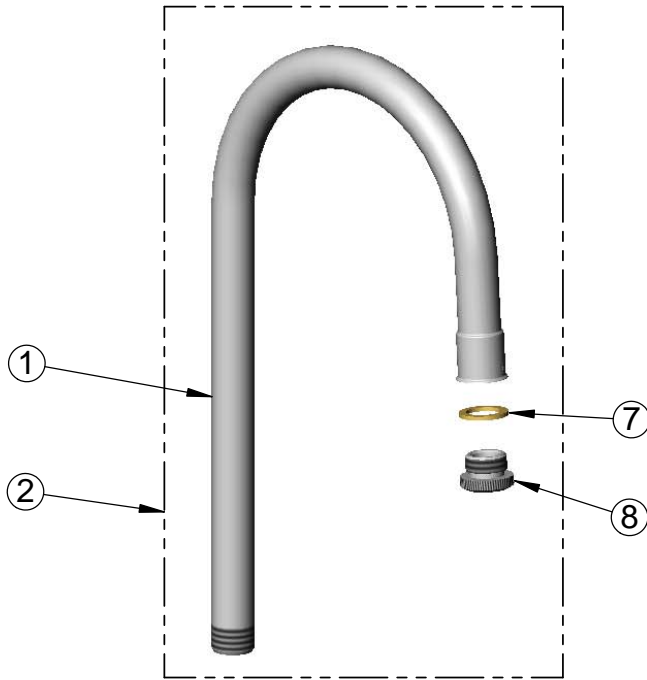
Model No.

B-0520

Item No.

Travelers Rest, SC: 800-476-4103 • Simi Valley, CA: 800-423-0150 • Fax: 864-834-3518 • www.tsbrass.com

ITEM NO.	SALES NO.	DESCRIPTION
1	000398-40	Rigid Gooseneck
2	120X	Rigid Gooseneck Asm.
3	B-0430	Deck Rigid Base Asm.
4	000999-45	Brass Lock Washer
5	002954-45	Shank Lock Nut
6	150A	1/4" NPT Tailpiece Asm.
7	001043-45	Washer
8	B-LT	Stream Regulator Outlet



Product Specifications:

Dummy Gooseneck: 1/2" NPSM Male Shank
 120X Rigid Gooseneck w/ Stream Regulator

Drawn

DMH

Checked

KJG

Approved

JHB

Scale:

NTS

Date:

09/30/11