



T&S BRASS AND BRONZE WORKS, INC.

2 Saddleback Cove / P.O. Box 1088
Travelers Rest, SC 29690



REG. #A2601
ISO #9001

Model No.

B-0594

Item No.

Travelers Rest, SC: 800-476-4103 • Simi Valley, CA: 800-423-0150 • Fax: 864-834-3518 • www.tsbrass.com

This Space for Architect/Engineer Approval

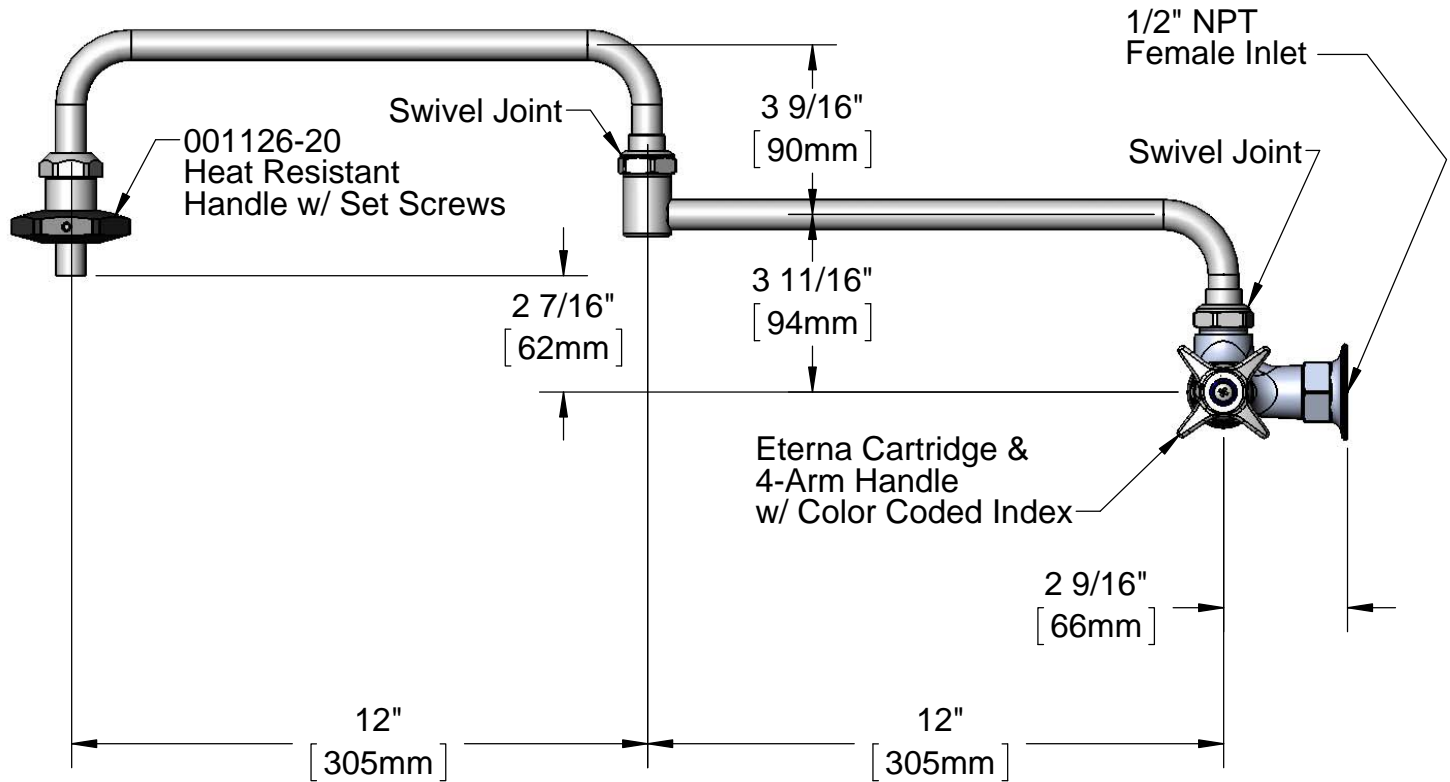
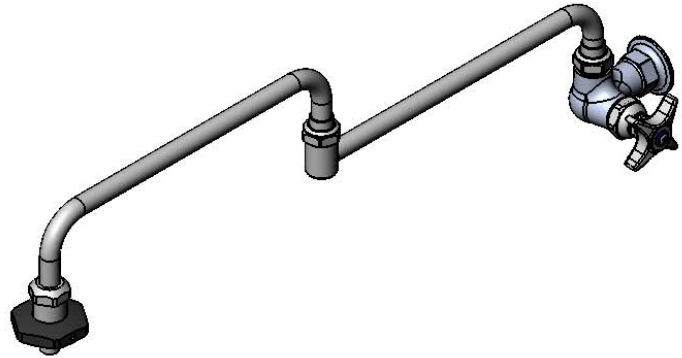
Job Name _____ Date _____

Model Specified _____ Quantity _____

Customer/Wholesaler _____

Contractor _____

Architect/Engineer _____



Product Specifications:
Pot Filler Faucet w/ 4-Arm Handle, Double Swing Joint Nozzle,
Heat Resistant Outlet Handle & 1/2" NPT Female Inlet

Drawn

DHL

Checked

KJG

Approved

JHB

Scale:

1:4

Date:

07/01/11



T&S BRASS AND BRONZE WORKS, INC.

2 Saddleback Cove / P.O. Box 1088
Travelers Rest, SC 29690



REG. #A2601
ISO #9001

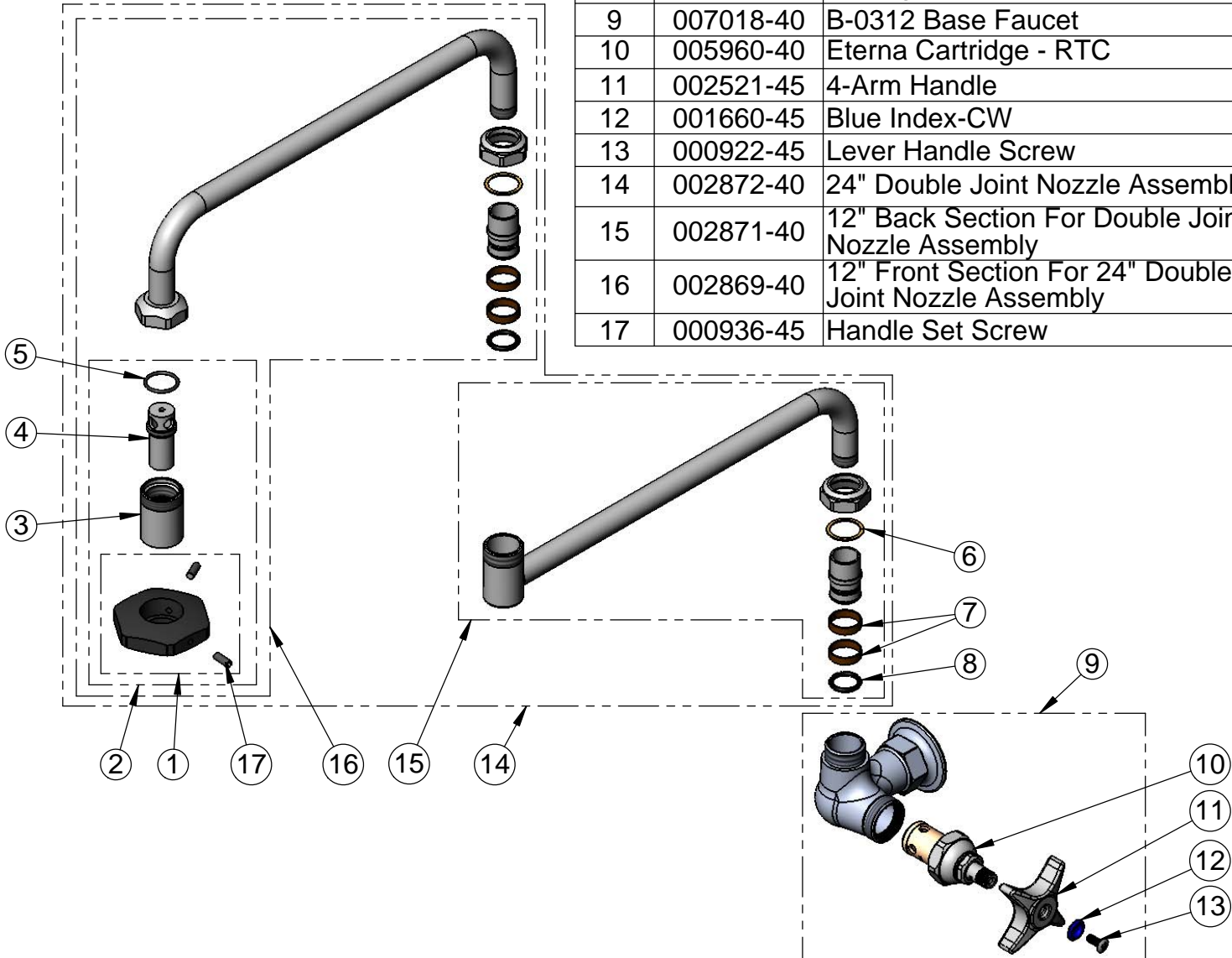
Model No.

B-0594

Item No.

Travelers Rest, SC: 800-476-4103 • Simi Valley, CA: 800-423-0150 • Fax: 864-834-3518 • www.tsbrass.com

ITEM NO.	SALES NO.	DESCRIPTION
1	001126-20	Handle w/ (2) Set Screws
2	035A	Outlet Assembly
3	000587-25	Spout Body
4	001498-25	Spout
5	003426-45	O-Ring
6	009538-45	Swivel Washer
7	011429-45	Swivel Sleeves (2)
8	001074-45	O-Ring
9	007018-40	B-0312 Base Faucet
10	005960-40	Eterna Cartridge - RTC
11	002521-45	4-Arm Handle
12	001660-45	Blue Index-CW
13	000922-45	Lever Handle Screw
14	002872-40	24" Double Joint Nozzle Assembly
15	002871-40	12" Back Section For Double Joint Nozzle Assembly
16	002869-40	12" Front Section For 24" Double Joint Nozzle Assembly
17	000936-45	Handle Set Screw



Product Specifications:

Pot Filler Faucet w/ 4-Arm Handle, Double Swing Joint Nozzle, Heat Resistant Outlet Handle & 1/2" NPT Female Inlet

Drawn DHL	Checked KJG	Approved JHB
Scale: NTS		Date: 07/01/11