



# T&S BRASS AND BRONZE WORKS, INC.

2 Saddleback Cove / P.O. Box 1088  
Travelers Rest, SC 29690



REG. #A2601  
ISO #9001

Model No.  
**B-0658**

Item No.

Travelers Rest, SC: 800-476-4103 Simi Valley, CA: 800-423-0150 Fax: 864-834-3518 www.tsbrass.com

This Space for Architect/Engineer Approval

Job Name \_\_\_\_\_ Date \_\_\_\_\_

Model Specified \_\_\_\_\_ Quantity \_\_\_\_\_

Customer/Wholesaler \_\_\_\_\_

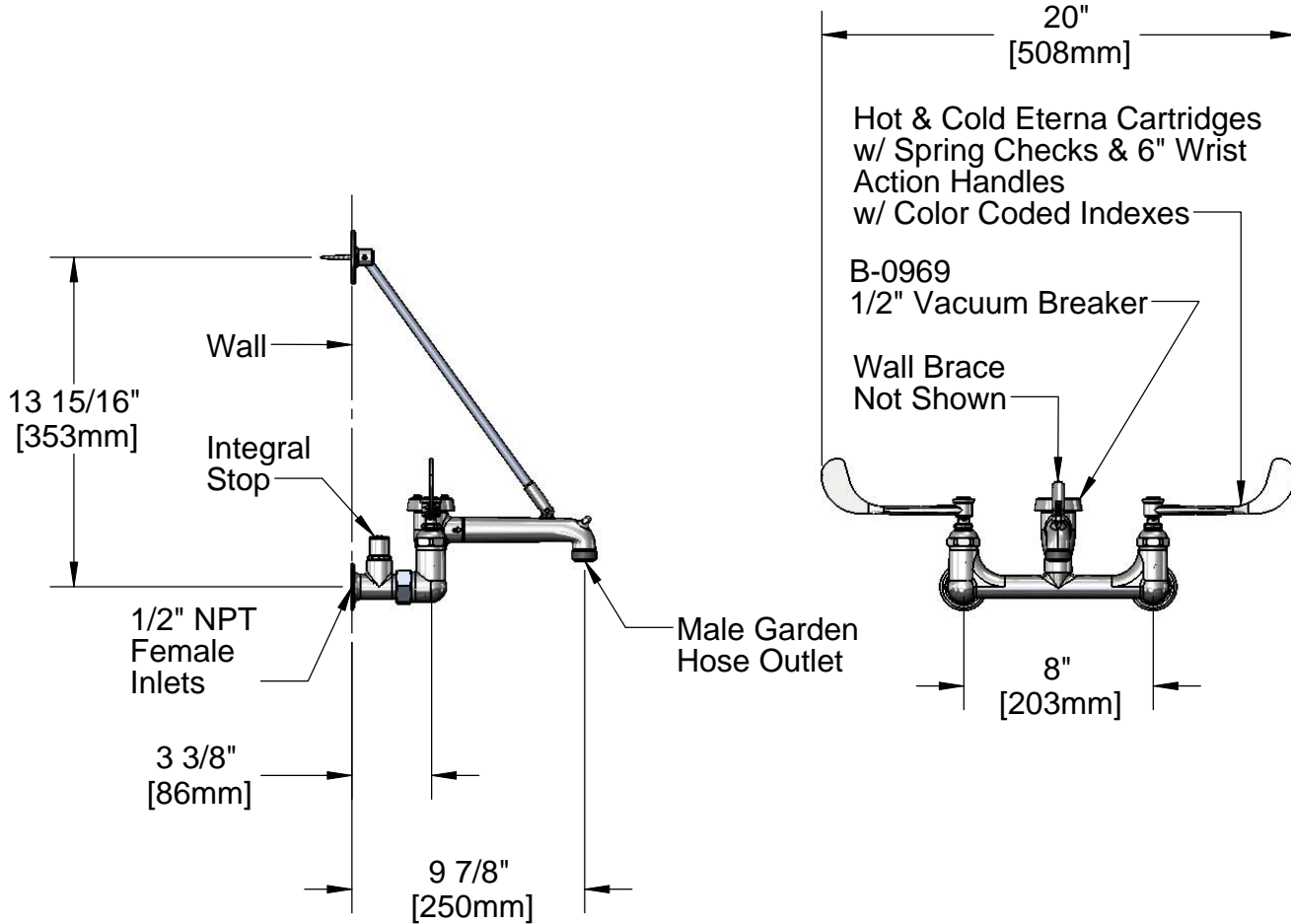
Contractor \_\_\_\_\_

Architect/Engineer \_\_\_\_\_

Support Rod Asm. Furnished w/  
Wall Bracket and Mounting Screws



**ADA Compliant**



Product Specifications:

Service Sink Faucet, Polished Chrome Finish, 6" Wrist Action Handles, Vacuum Breaker Outlet, Integral Stops, Wall Brace Assembly & 1/2" NPT Female Inlets

Drawn <b>DHL</b>	Checked <b>GEF</b>	Approved <b>JHB</b>
Scale: <b>1:8</b>		Date: <b>9/11/2009</b>



**T&S BRASS AND BRONZE WORKS, INC.**

2 Saddleback Cove / P.O. Box 1088  
Travelers Rest, SC 29690



REG. #A2601  
ISO #9001

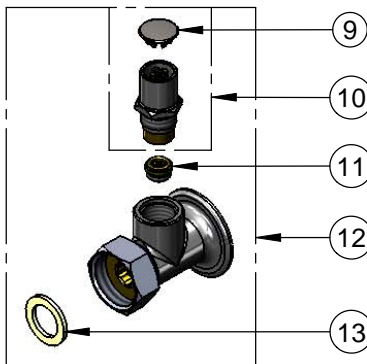
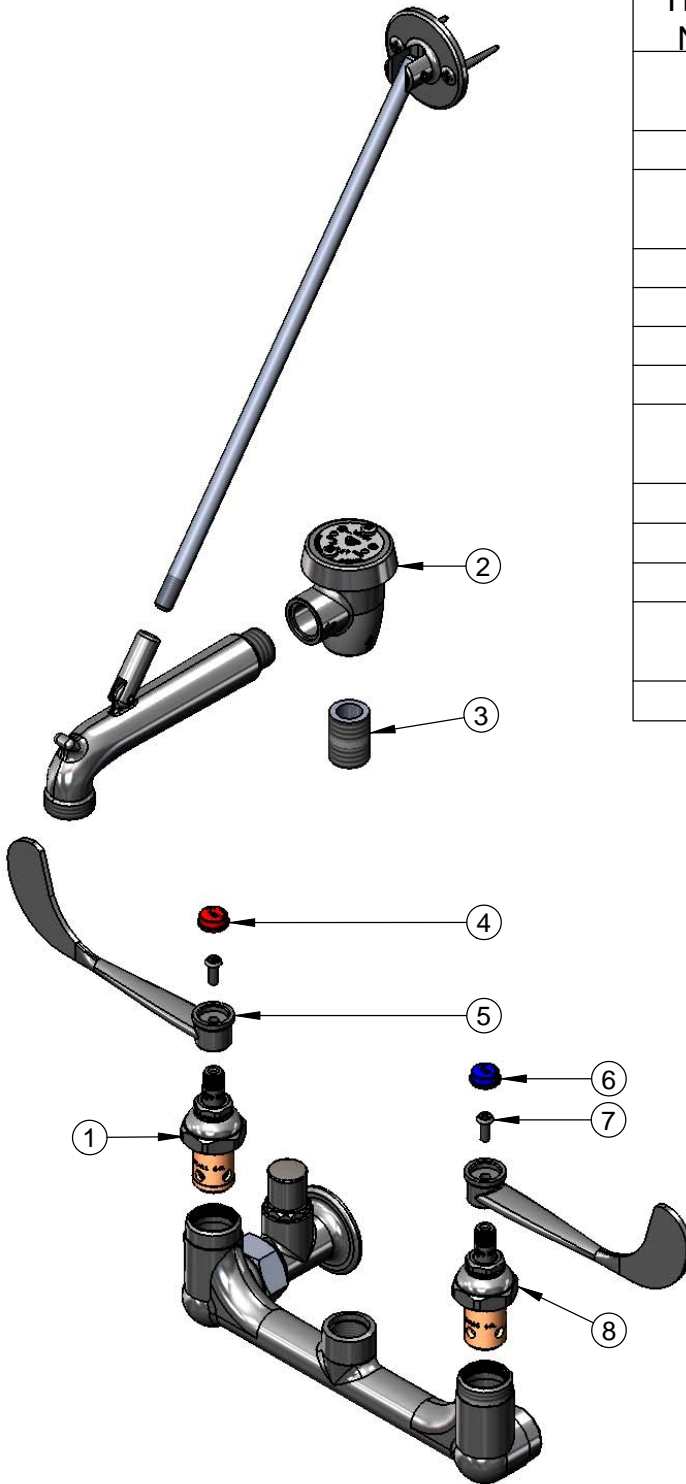
Model No.

**B-0658**

Item No.

Travelers Rest, SC: 800-476-4103 Simi Valley, CA: 800-423-0150 Fax: 864-834-3518 www.tsbrass.com

ITEM NO.	SALES NO.	DESCRIPTION
1	012443-40	Hot Eterna Spindle Assembly w/ Spring Check
2	B-0969	Vacuum Breaker, 1/2"
3	002534-25	Close Nipple, 1/2" x 1 5/32" Lg Rough Chrome
4	001194-45	Red HW Index
5	B-WH6	6" Wrist Action Handle
6	001686-45	Blue CW Index
7	000925-45	Lab Handle Screw
8	012442-40	Cold Eterna Spindle Assembly w/ Spring Check
9	001605-45	Cap
10	002892-40	Spindle Asm w/ Cap
11	000763-20	Seat
12	00JJ	Flange w/ Intergral Stop Asm. 1/2" NPT Female Inlet
13	001019-45	Coupling Nut Washer



Product Specifications:

Service Sink Faucet, Polished Chrome Finish, 6" Wrist Action Handles, Vacuum Breaker Outlet, Integral Stops, Wall Brace Assembly & 1/2" NPT Female Inlets

Drawn <b>DHL</b>	Checked <b>GEF</b>	Approved <b>JHB</b>
Scale: <b>1:4</b>		Date: <b>9/11/2009</b>