



T&S BRASS AND BRONZE WORKS, INC.

2 Saddleback Cove / P.O. Box 1088
Travelers Rest, SC 29690



REG. #A2601
ISO #9001

Model No.

B-0665-CR-BSTR

Item No.

Travelers Rest, SC: 800-476-4103 Simi Valley, CA: 800-423-0150 Fax: 864-834-3518 www.tsbrass.com

This Space for Architect/Engineer Approval

Job Name _____ Date _____

Model Specified _____ Quantity _____

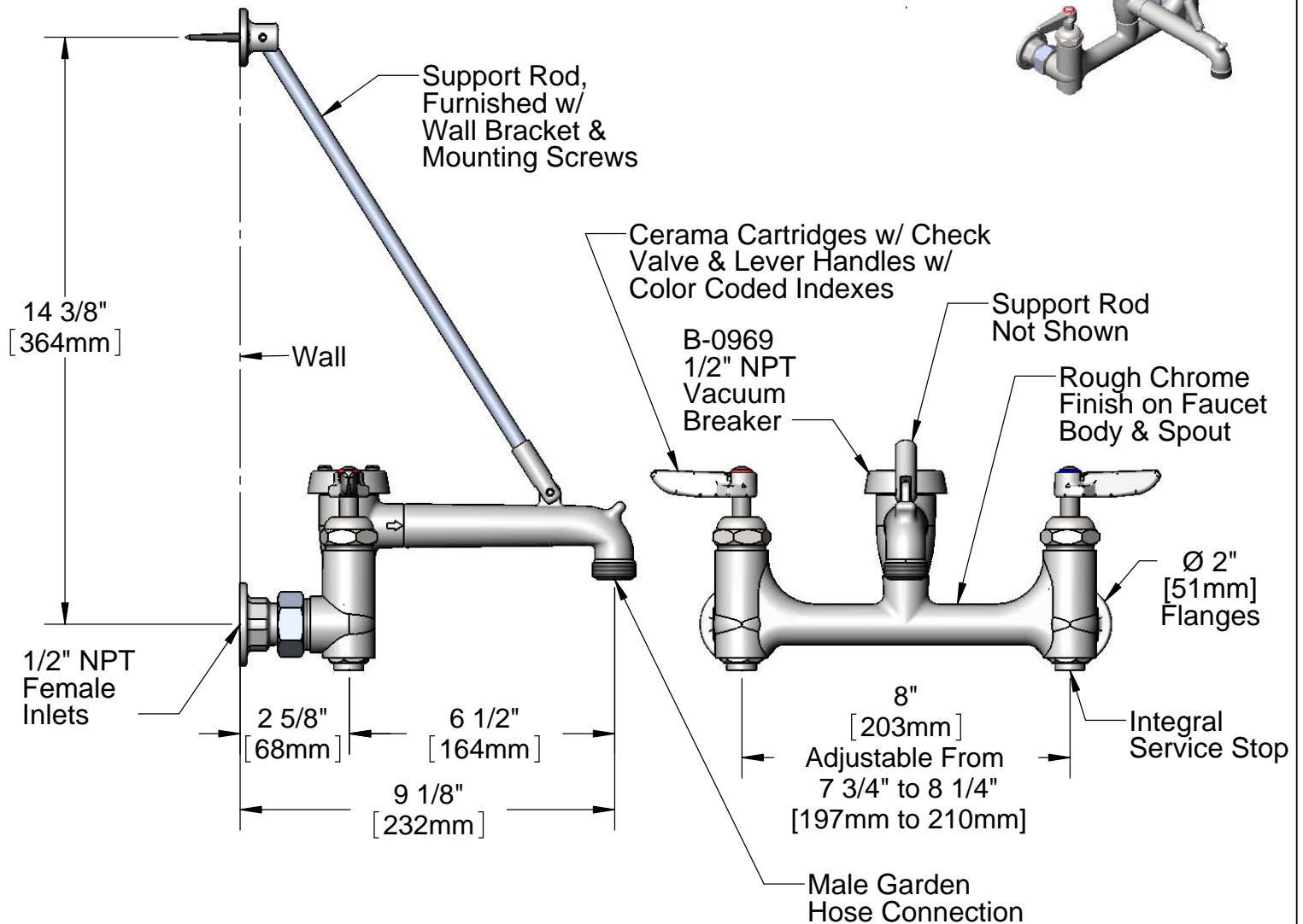
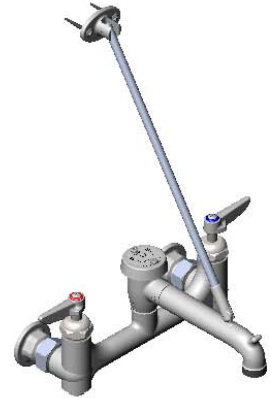
Customer/Wholesaler _____

Contractor _____

Architect/Engineer _____



ADA Compliant



Product Specifications:

Service Sink Faucet, Inlet Stops, Cerama Cartridges w/ Check Valves, Lever Handles, Rough Chrome

Drawn
KJG

Checked
DMH

Approved
JHB

Scale:

1:4

Date:

08/29/11



T&S BRASS AND BRONZE WORKS, INC.

2 Saddleback Cove / P.O. Box 1088
Travelers Rest, SC 29690



REG. #A2601
ISO #9001

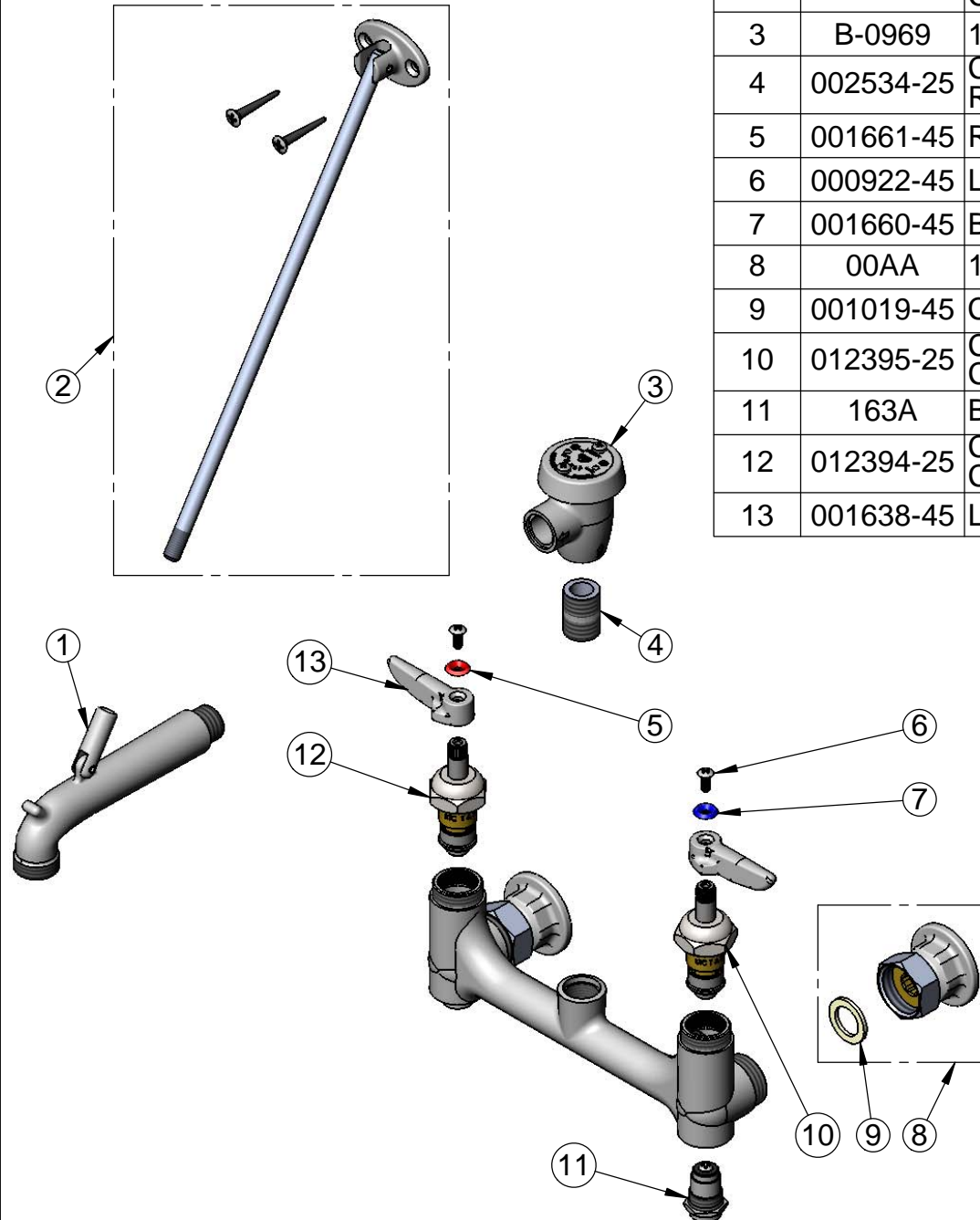
Model No.

B-0665-CR-BSTR

Item No.

Travelers Rest, SC: 800-476-4103 • Simi Valley, CA: 800-423-0150 • Fax: 864-834-3518 • www.tsbrass.com

ITEM NO.	SALES NO.	DESCRIPTION
1	009545-40	Spout Asm Rough Chrome w/ Support Clevis
2	009546-40	Suprt Rod B-0665 - Polish Chrome
3	B-0969	1/2" NPT Vacuum Breaker
4	002534-25	Close Nipple, 1/2" x 1 5/32" Lg Rough Chrome
5	001661-45	Red Index-HW
6	000922-45	Lever Handle Screw
7	001660-45	Blue Index-CW
8	00AA	1/2" NPT Flange Assembly
9	001019-45	Coupling Nut Washer
10	012395-25	Cerama Cartridge, LTC w/ Check Valve
11	163A	BST Assembly, 163A
12	012394-25	Cerama Cartridge, RTC w/ Check Valve
13	001638-45	Lever Handle



Product Specifications:
Service Sink Faucet, Inlet Stops, Cerama Cartridges w/
Check Valves, Lever Handles, Rough Chrome

Drawn

KJG

Checked

DMH

Approved

JHB

Scale:

NTS

Date:

08/29/11