



T&S BRASS AND BRONZE WORKS, INC.

2 Saddleback Cove / P.O. Box 1088
Travelers Rest, SC 29690



REG. #A2601
ISO #9001

Model No.

B-0963

Item No.

Travelers Rest, SC: 800-476-4103 • Simi Valley, CA: 800-423-0150 • Fax: 864-834-3518 • www.tsbrass.com

This Space for Architect/Engineer Approval

Job Name _____ Date _____

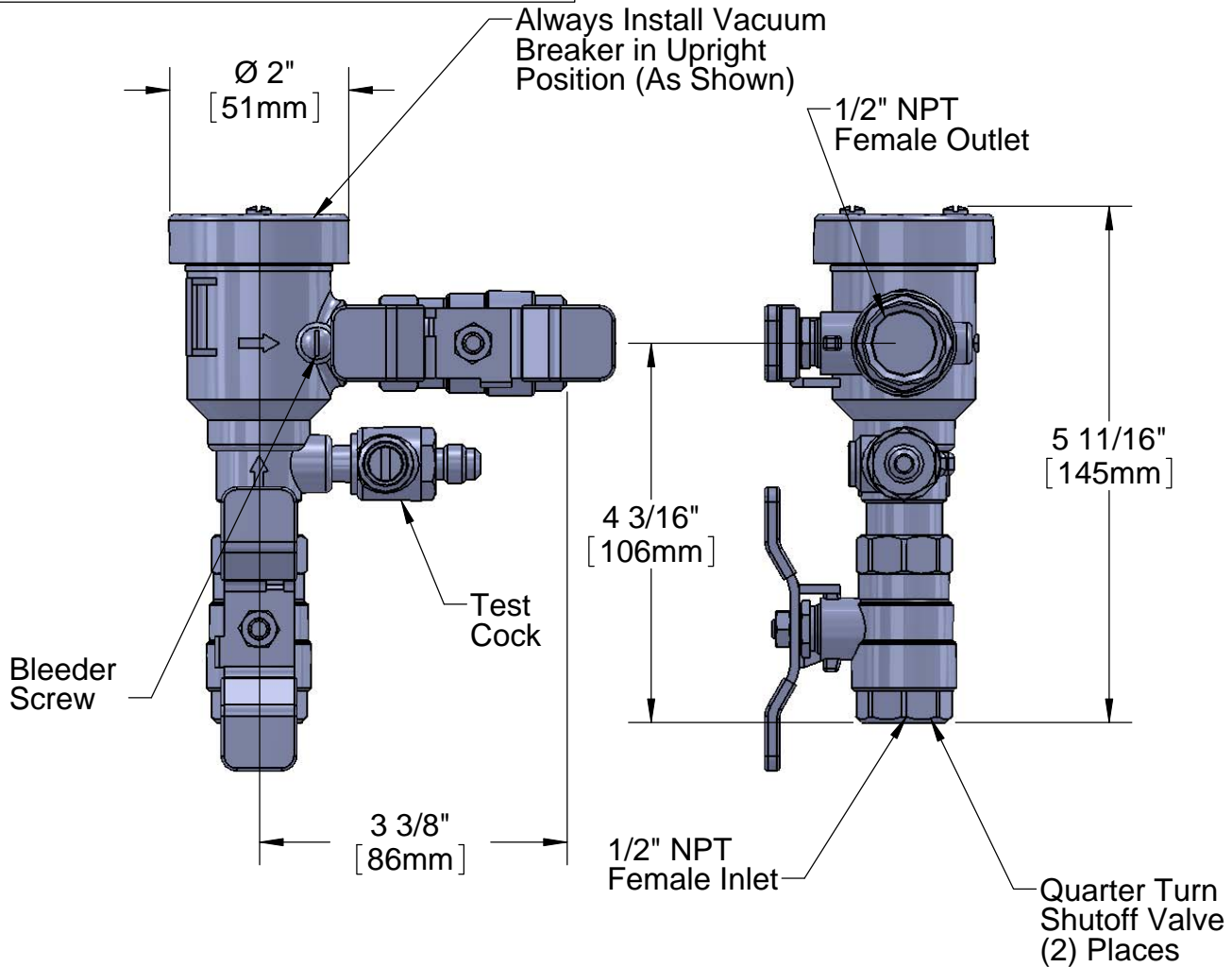
Model Specified _____ Quantity _____

Customer/Wholesaler _____

Contractor _____

Architect/Engineer _____

Repair Kit For This
Model is Available
as B-0963-RK



Note: Meets Requirements of ASSE 1056

Product Specifications:

Continuous Pressure Vacuum Breaker, w/ 1/4 Turn Ball Valves, Bleeder Screw, Test Cock & 1/2" NPT Inlet & Outlet

Drawn

DHL

Checked

KJG

Approved

JHB

Scale:

1:2

Date:

04/05/11