



T&S BRASS AND BRONZE WORKS, INC.

2 Saddleback Cove / P.O. Box 1088
Travelers Rest, SC 29690



REG. #A2601
ISO #9001

Model No.

B-1141-04

Item No.

Travelers Rest, SC: 800-476-4103 • Simi Valley, CA: 800-423-0150 • Fax: 864-834-3518 • www.tsbrass.com

This Space for Architect/Engineer Approval

Job Name _____ Date _____

Model Specified _____ Quantity _____

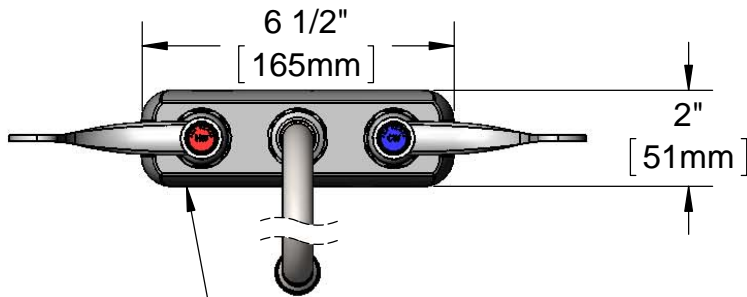
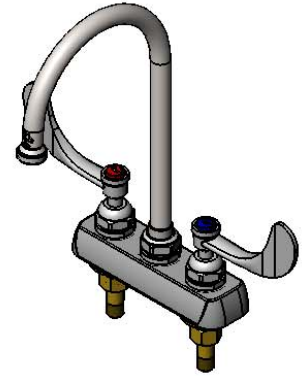
Customer/Wholesaler _____

Contractor _____

Architect/Engineer _____



ADA Compliant

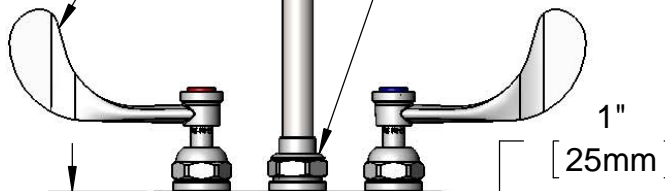
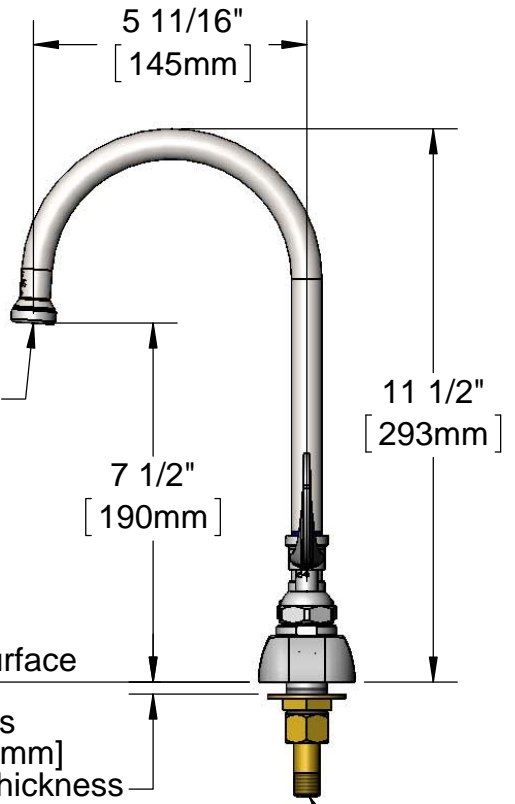


Polished Chrome Plated Escutcheon

B-WH4 Wrist Action Handles w/ Color Coded Indexes

Swivel Joint

133X Swivel Gooseneck w/ B-PT Stream Regulator Outlet



Mounting Surface

Fits Surfaces up to 1/4" [6mm] Maximum Thickness

1/2" NPT Male Shank Inlets

150A Tailpiece & Nut Furnished For 1/4" NPT Connection

Note: Rough-In Requirement (2) Ø 1" [25mm] Mounting Holes

Product Specifications:

4" Centers Workboard Faucet w/ 1/2" NPT Male Shank Inlets, Wrist Action Handles & 6" Swivel Gooseneck w/ B-PT Stream Regulator Outlet

Drawn

KJG

Checked

DHL

Approved

JHB

Scale:

1:4

Date:

08/18/11



T&S BRASS AND BRONZE WORKS, INC.

2 Saddleback Cove / P.O. Box 1088
Travelers Rest, SC 29690



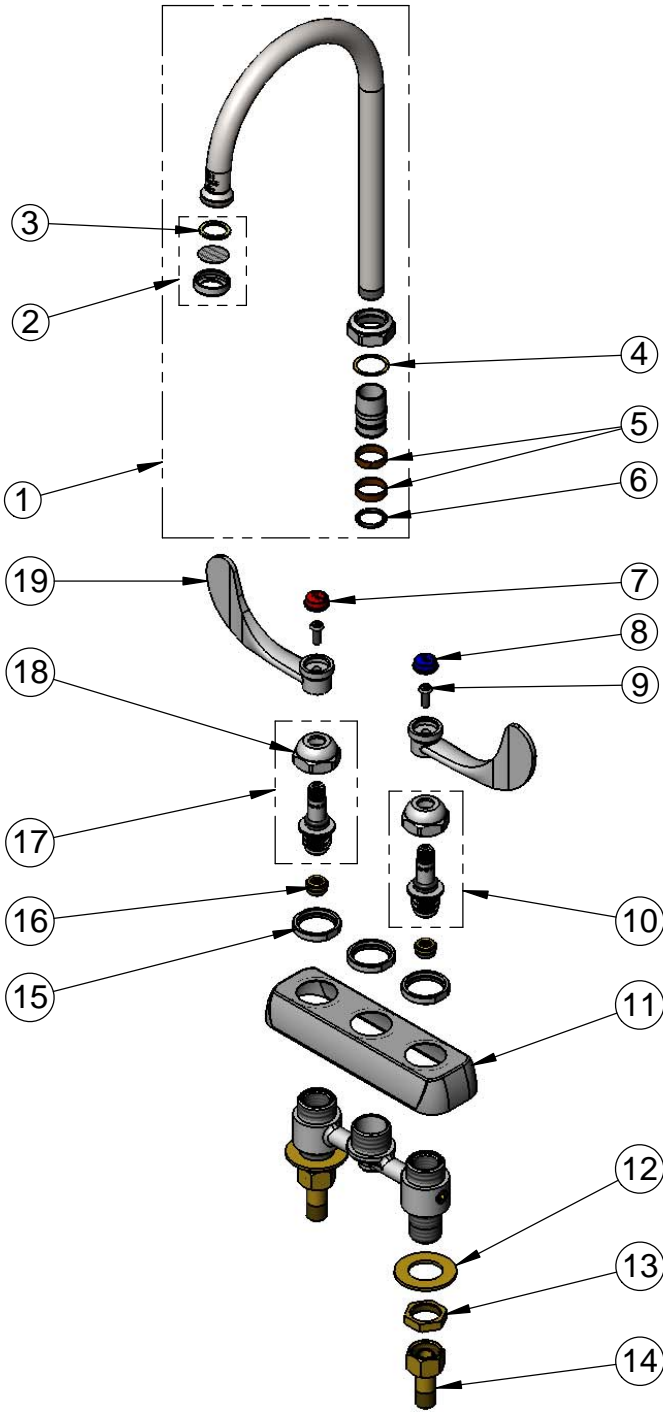
REG. #A2601
ISO #9001

Model No.

B-1141-04

Item No.

Travelers Rest, SC: 800-476-4103 • Simi Valley, CA: 800-423-0150 • Fax: 864-834-3518 • www.tsbrass.com



ITEM NO.	SALES NO.	DESCRIPTION
1	133X	Swivel Gooseneck w/ B-PT Stream Regulator
2	B-PT	Stream Regulator
3	001048-45	Nozzle Tip Washer
4	009538-45	Swivel Washer
5	011429-45	Swivel Sleeves (2)
6	001074-45	O-Ring
7	001194-45	Red HW Index
8	001686-45	Blue CW Index
9	000925-45	Lab Handle Screw
10	009424-40	Spindle Assembly, (LTC)
11	001258-40	Escutcheon
12	000999-45	Brass Lock Washer
13	002954-45	Shank Lock Nut
14	150A	Bag of (1) Nut & (1) Tailpiece
15	000712-25	Escutcheon Lock Nut
16	000763-20	Seat
17	009423-40	Spindle Assembly, (RTC)
18	009749-25	Bonnet Nut
19	B-WH4	4" Wrist Action Handle

Product Specifications:

4" Centers Workboard Faucet w/ 1/2" NPT Male Shank Inlets, Wrist Action Handles & 6" Swivel Gooseneck w/ B-PT Stream Regulator Outlet

Drawn

KJG

Checked

DHL

Approved

JHB

Scale:

NTS

Date:

08/18/11