



T&S BRASS AND BRONZE WORKS, INC.
 2 Saddleback Cove / P.O. Box 1088
 Travelers Rest, SC 29690

Model No.
B-1205

Item No.

Travelers Rest, SC: 800-476-4103 • Simi Valley, CA: 800-423-0150 • Fax: 864-834-3518 • www.tsbrass.com

This Space for Architect/Engineer Approval

Job Name _____ Date _____

Model Specified _____ Quantity _____

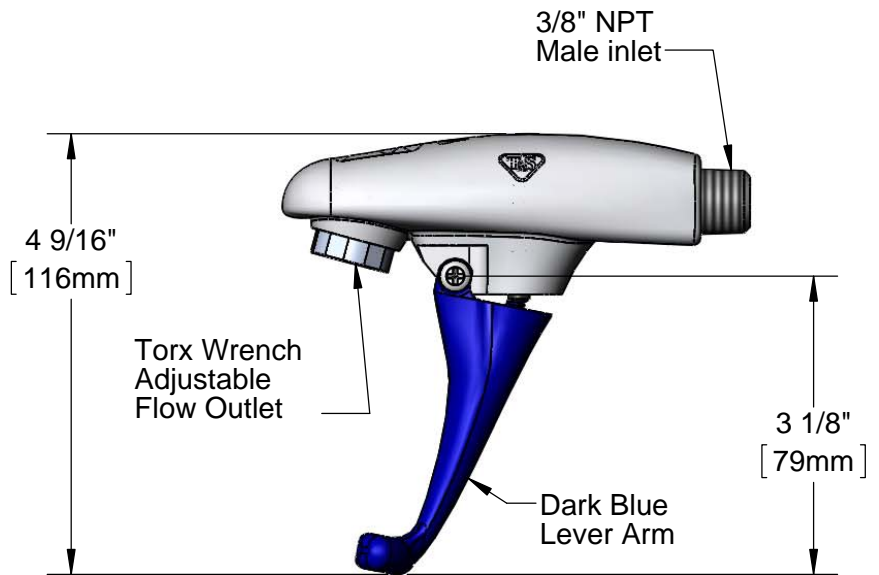
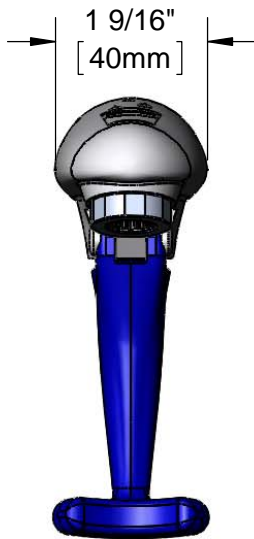
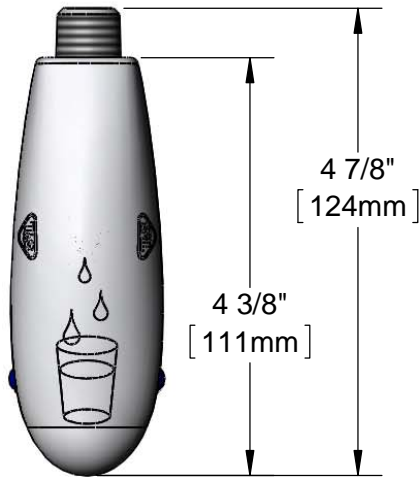
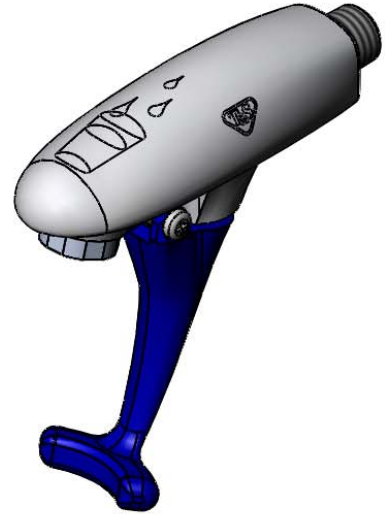
Customer/Wholesaler _____

Contractor _____

Architect/Engineer _____



ADA Compliant



Product Specifications:
 Wall Mount Glass Filler, Push Back Design, 3/8" NPT Male Inlet, Less Flange, Dark Blue Self-Closing Arm

Drawn JRM	Checked DMH	Approved JHB
Scale: 1:2		Date: 01/24/13



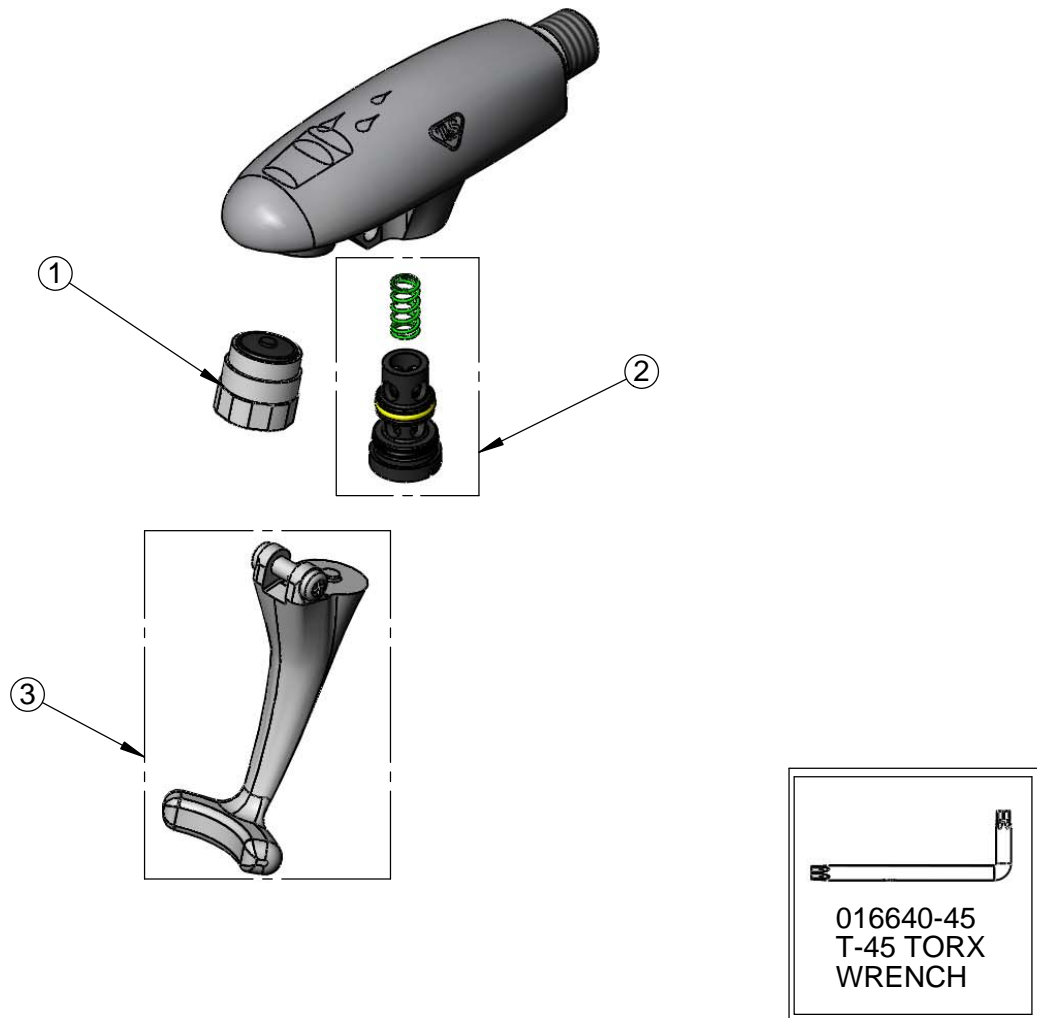
T&S BRASS AND BRONZE WORKS, INC.
 2 Saddleback Cove / P.O. Box 1088
 Travelers Rest, SC 29690

Model No.
B-1205

Item No.

Travelers Rest, SC: 800-476-4103 • Simi Valley, CA: 800-423-0150 • Fax: 864-834-3518 • www.tsbrass.com

ITEM NO.	SALES NO.	DESCRIPTION
1	015588-40	Adjustable Outlet w/ Torx Wrench
2	015589-40	Valve Assembly
3	015550-45	Lever Arm Repair Kit



Product Specifications:
 Wall Mount Glass Filler, Push Back Design, 3/8" NPT
 Male Inlet, Less Flange, Dark Blue Self-Closing Arm

Drawn JRM	Checked DMH	Approved JHB
Scale: NTS		Date: 01/24/13