



T&S BRASS AND BRONZE WORKS, INC.
 2 Saddleback Cove / P.O. Box 1088
 Travelers Rest, SC 29690

Model No.
B-1230

Item No.

Travelers Rest, SC: 800-476-4103 • Simi Valley, CA: 800-423-0150 • Fax: 864-834-3518 • www.tsbrass.com



ADA Compliant

This Space for Architect/Engineer Approval

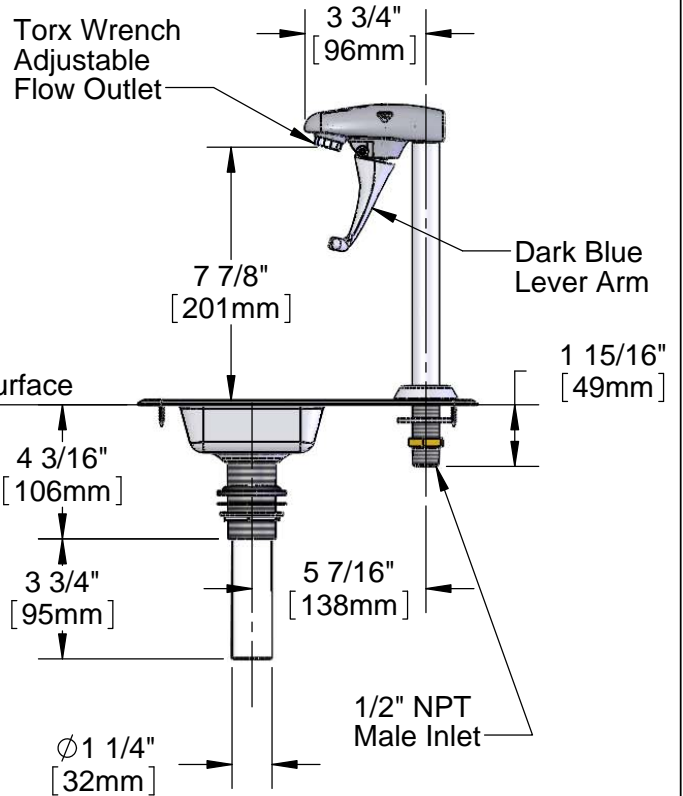
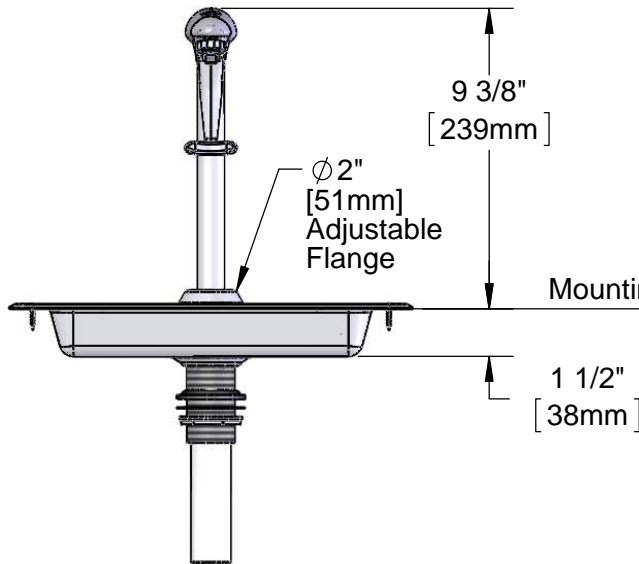
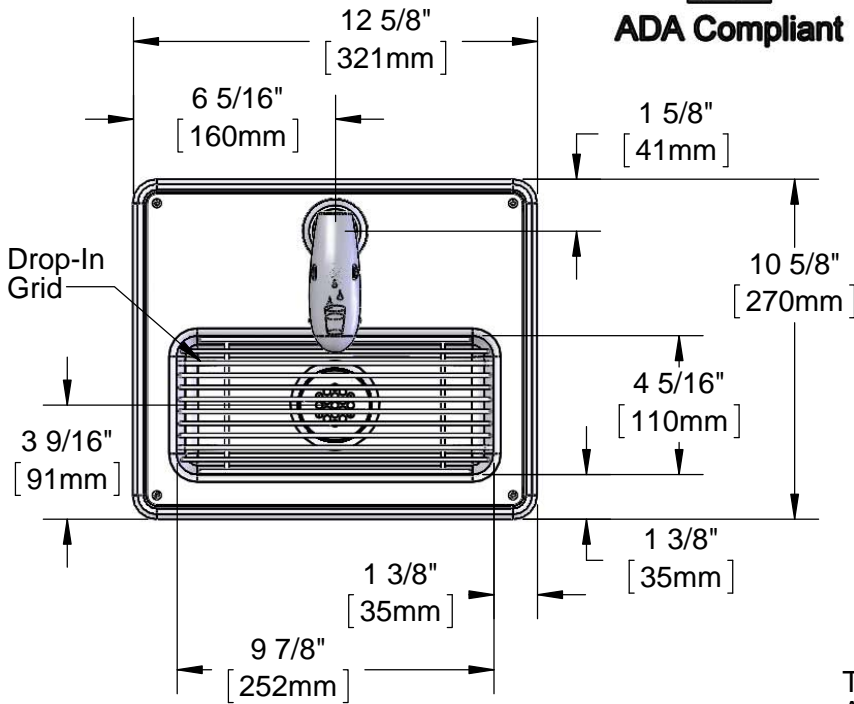
Job Name _____ Date _____

Model Specified _____ Quantity _____

Customer/Wholesaler _____

Contractor _____

Architect/Engineer _____



- Note:**
- 18 Gauge Stainless Steel Pan w/ Beaded Edge
 Supplied w/ Mastic & Stainless Steel Screws for Mounting.
 - Suggested Cut Out Size for Pan is 10-1/2" x 5". Customer to Verify Actual Cut Out Needed Prior to Installation.

Product Specifications:
 Water Station w/ Pedestal Type Glass Filler, 18 Gauge
 Stainless Steel Drip Pan, & 1-1/4" Drain

Drawn JRM	Checked DMH	Approved JHB
---------------------	-----------------------	------------------------

Scale: 1:6	Date: 01/24/13
----------------------	--------------------------



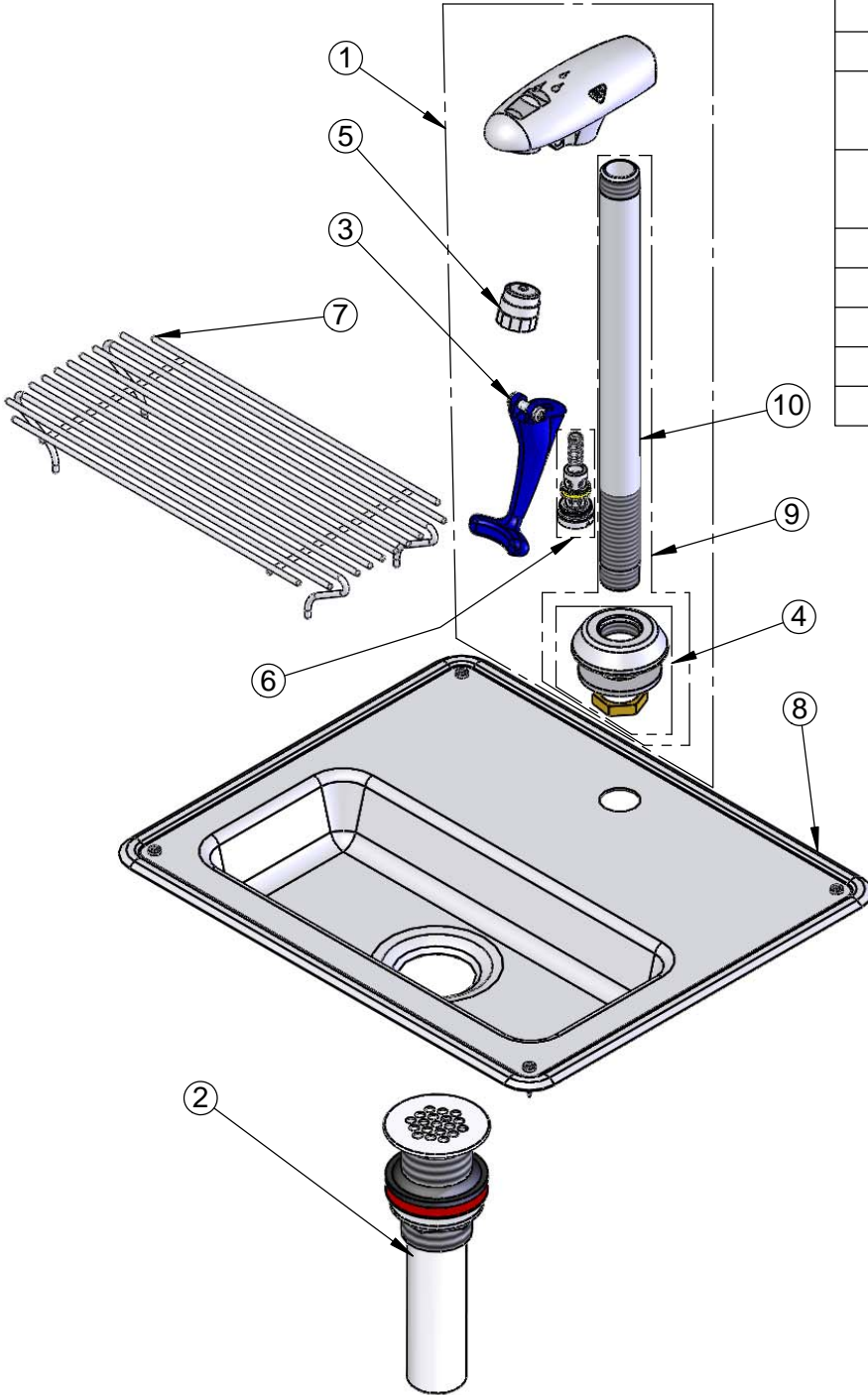
T&S BRASS AND BRONZE WORKS, INC.
 2 Saddleback Cove / P.O. Box 1088
 Travelers Rest, SC 29690

Model No.
B-1230

Item No.

Travelers Rest, SC: 800-476-4103 • Simi Valley, CA: 800-423-0150 • Fax: 864-834-3518 • www.tsbrass.com

ITEM NO.	SALES NO.	DESCRIPTION
1	B-1210	8" Pedestal Glass Filler
2	010126-45	Drip Pan Drain
3	015550-45	Lever Arm Repair Kit
4	016783-40	Adjustable Deck Flange Repair Kit
5	015588-40	Adjustable Outlet w/ Torx Wrench
6	015589-40	Valve Assembly
7	183F	Drip Pan Grid
8	010123-45	Drip Pan
9	015887-40	Pedestal Assembly
10	015886-40	B-1210 Pedestal



Product Specifications:
 Water Station w/ Pedestal Type Glass Filler, 18 Gauge
 Stainless Steel Drip Pan, & 1-1/4" Drain

Drawn JRM	Checked DMH	Approved JHB
Scale: NTS		Date: 01/24/13