



T&S BRASS AND BRONZE WORKS, INC.

2 Saddleback Cove / P.O. Box 1088
Travelers Rest, SC 29690

Model No.

B-1235

Item No.

Travelers Rest, SC: 800-476-4103 • Simi Valley, CA: 800-423-0150 • Fax: 864-834-3518 • www.tsbrass.com

This Space for Architect/Engineer Approval

Job Name _____ Date _____

Model Specified _____ Quantity _____

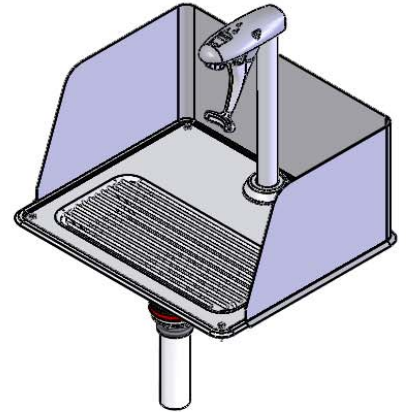
Customer/Wholesaler _____

Contractor _____

Architect/Engineer _____

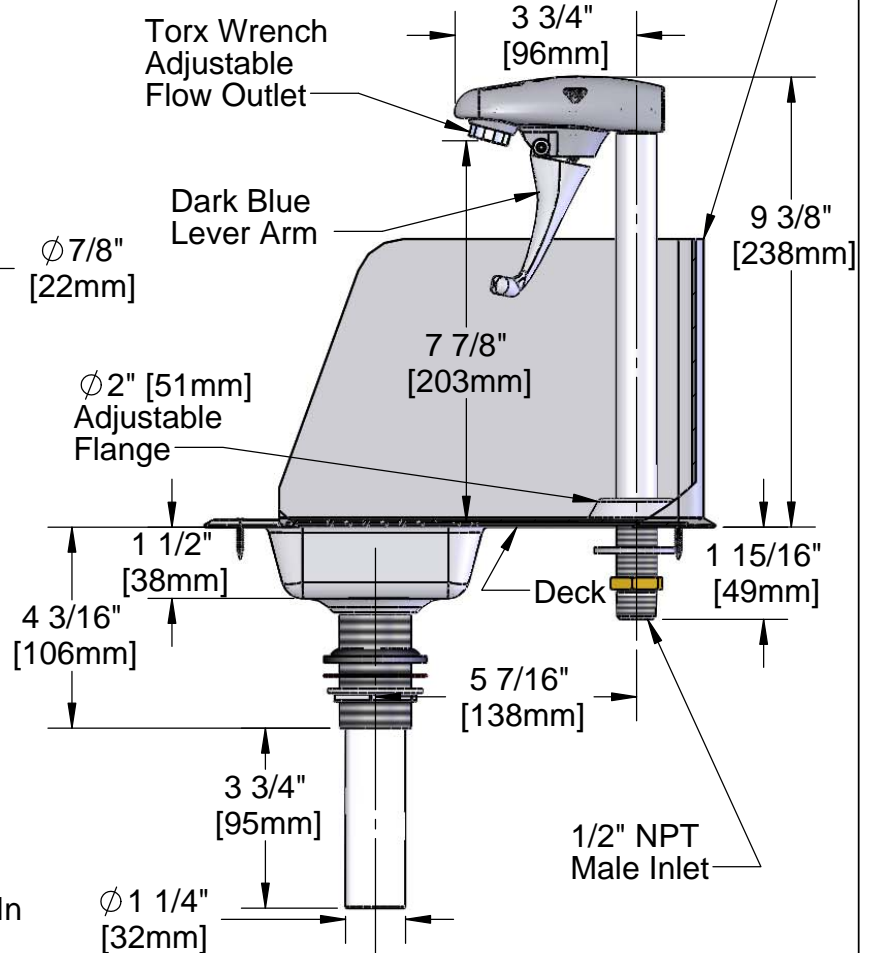
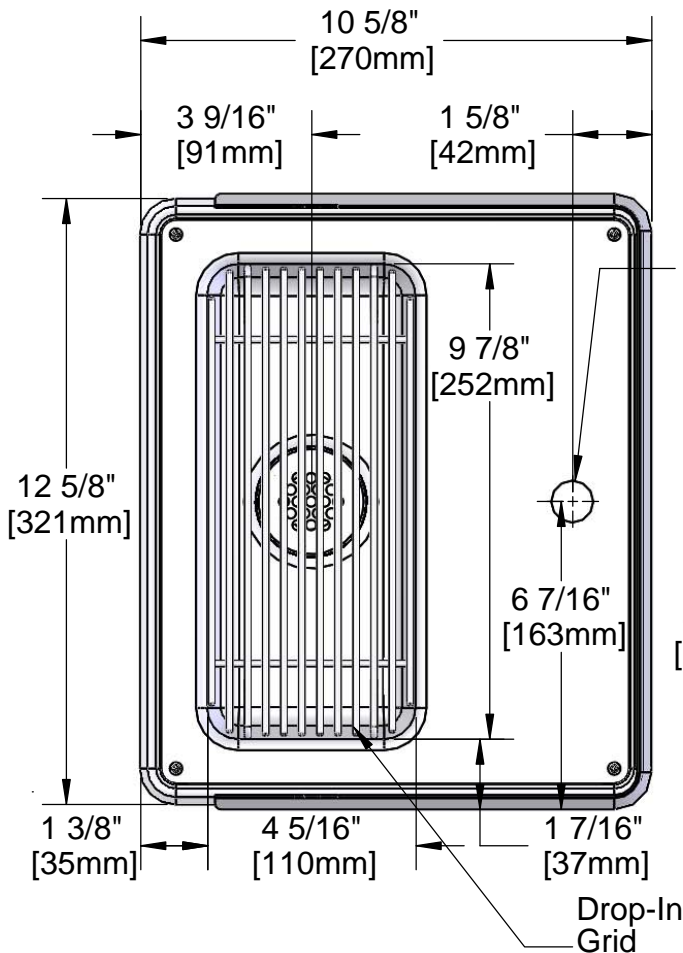


ADA Compliant



Splashguard Frame
Around Back &
Sides of Pan

- Note:**
- 18 Gauge Stainless Steel Pan w/ Beaded Edge
Supplied w/ Mastic & Stainless Steel Screws for Mounting.
 - Suggested Cut Out Size for Pan is 10-1/2" x 5". Customer to Verify Actual Cut Out Needed Prior to Installation.



Product Specifications:
Water Station w/ Pedestal Type Glass Filler,
18 Gauge Stainless Steel Drip Pan with Splashguard,
& 1-1/4" Drain

Drawn	Checked	Approved
JRM	DMH	JHB
Scale:	Date:	
1:4	01/24/13	



T&S BRASS AND BRONZE WORKS, INC.

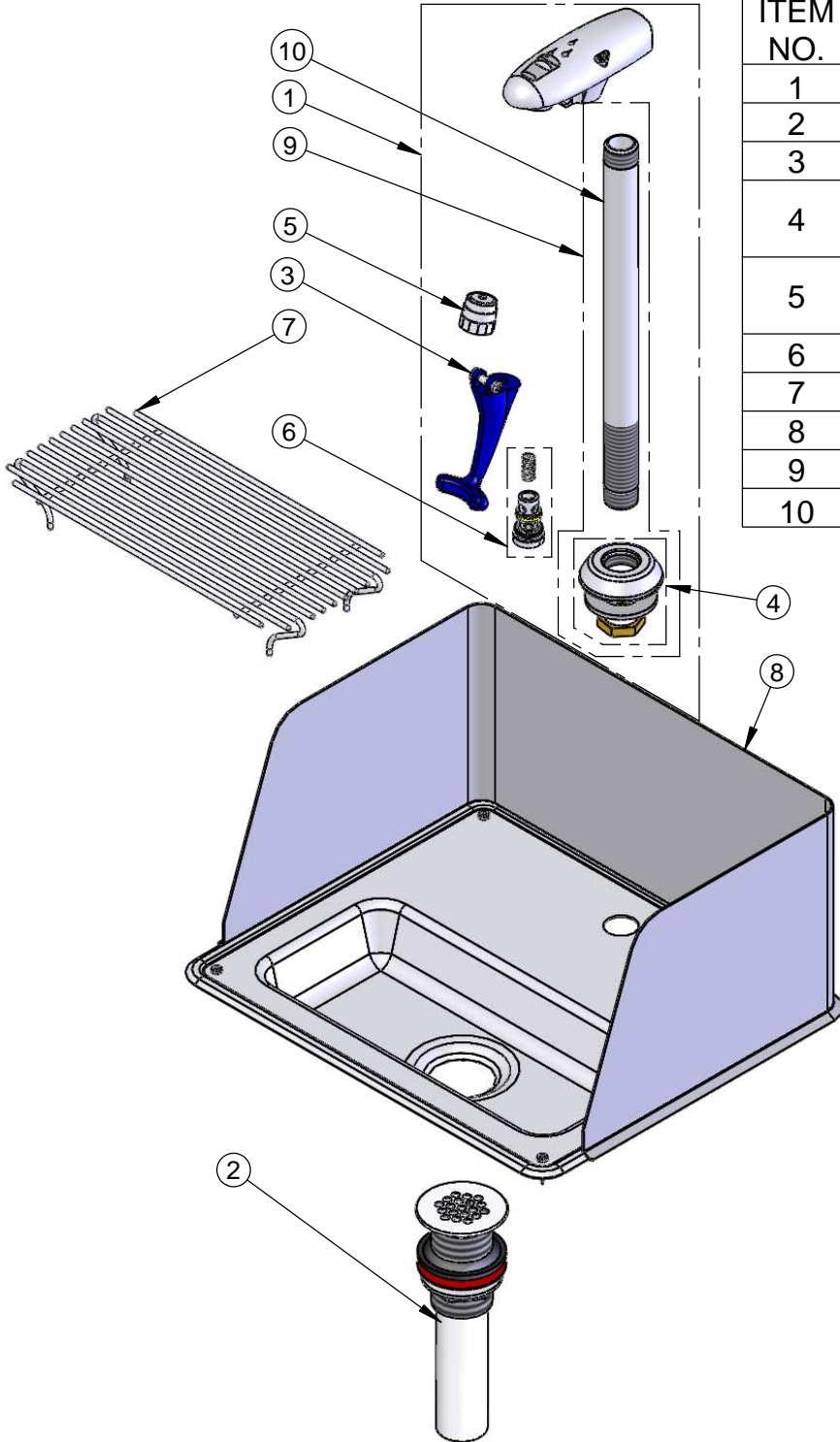
2 Saddleback Cove / P.O. Box 1088
Travelers Rest, SC 29690

Model No.

B-1235

Item No.

Travelers Rest, SC: 800-476-4103 • Simi Valley, CA: 800-423-0150 • Fax: 864-834-3518 • www.tsbrass.com



ITEM NO.	SALES NO.	DESCRIPTION
1	B-1210	8" Pedestal Glass Filler
2	010126-45	Drip Pan Drain
3	015550-45	Lever Arm Repair Kit
4	016783-40	Adjustable Deck Flange Repair Kit
5	015588-40	Adjustable Outlet w/ Torx Wrench
6	015589-40	Valve Assembly
7	183F	Drip Pan Grid
8	010124-45	Drip Pan Assembly
9	015887-40	Pedestal Assembly
10	015886-40	B-1210 Pedestal



Product Specifications:
Water Station w/ Pedestal Type Glass Filler,
18 Gauge Stainless Steel Drip Pan with Splashguard,
& 1-1/4" Drain

Drawn	Checked	Approved
JRM	DMH	JHB
Scale:	Date:	
NTS	01/24/13	