

T&S BRASS AND BRONZE WORKS, INC.

2 SADDLEBACK COVE / P.O. BOX 1088 / TRAVELERS REST, SC 29690

PHONE 800-476-4103

FAX 864-834-3518



REG.#A2601
ISO #9002

Model No.

B-1422

Item No.:

Job Name:

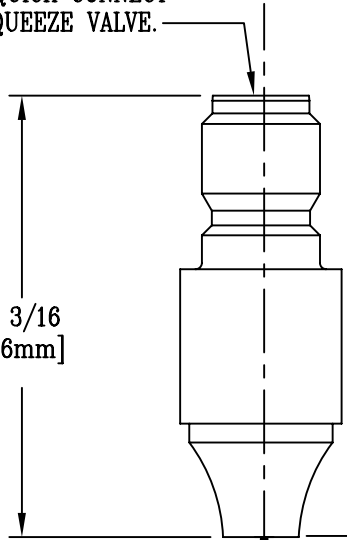
Architect/Engineer Approval:

Notes:

INSERT INTO QUICK CONNECT
SOCKET OF SQUEEZE VALVE.

EPAct2005 NON-COMPLIANT

2 3/16
[56mm]



30"
[762mm]

SPRAY PATTERN
FROM JET SPRAY HEAD

1"Ø
[25mm]

Product Description:

JET SPRAY QUICK CONNECT FOR USE
WITH SQUEEZE VALVE ASSEMBLIES

Drawn:

JRM

Checked

GEF

Scale:

1' = 1'

Approved

JHB

Date:

02/02/09