



T&S BRASS AND BRONZE WORKS, INC.

2 Saddleback Cove / P.O. Box 1088
Travelers Rest, SC 29690



REG. #A2601
ISO #9001

Model No.

B-2250-B

Item No.

Travelers Rest, SC: 800-476-4103 • Simi Valley, CA: 800-423-0150 • Fax: 864-834-3518 • www.tsbrass.com

This Space for Architect/Engineer Approval

Job Name _____ Date _____

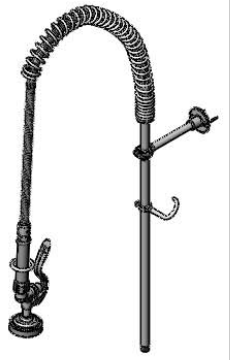
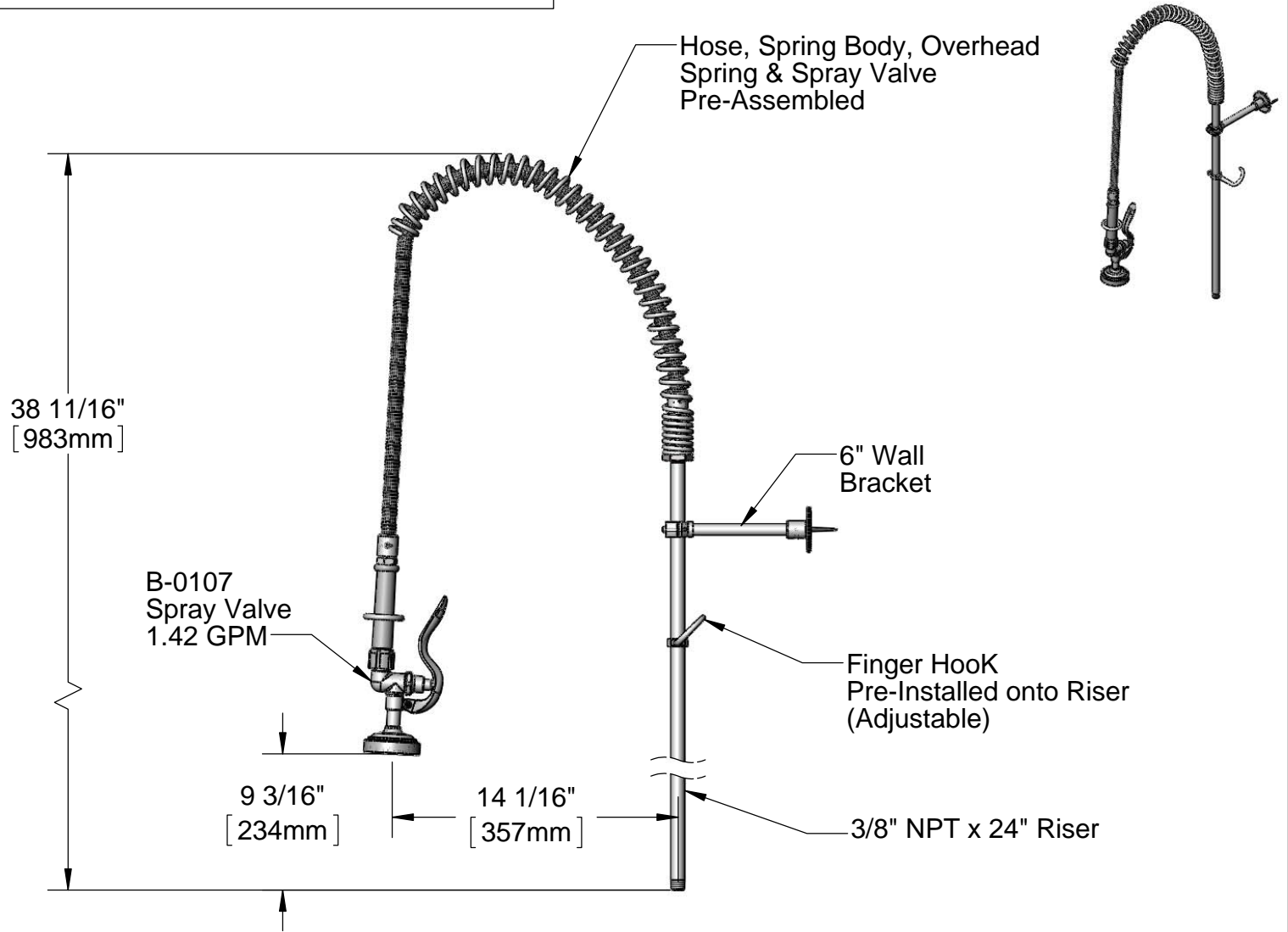
Model Specified _____ Quantity _____

Customer/Wholesaler _____

Contractor _____

Architect/Engineer _____

EPAct 2005 Compliant



Product Specifications:
Pre-Rinse Unit w/ 44" Flex Hose, B-0107 Spray Valve,
24" Riser, Overhead Spring, & 6" Wall Bracket

Drawn JRM	Checked DMH	Approved JHB
Scale: 1:8		Date: 07/14/11



T&S BRASS AND BRONZE WORKS, INC.

2 Saddleback Cove / P.O. Box 1088
Travelers Rest, SC 29690



REG. #A2601
ISO #9001

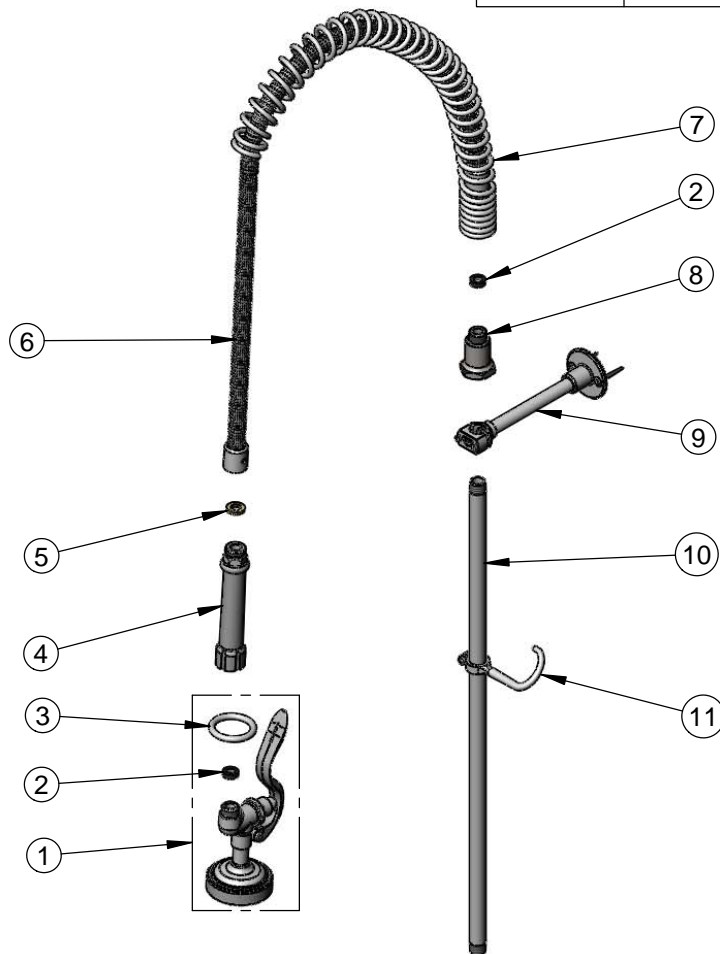
Model No.

B-2250-B

Item No.

Travelers Rest, SC: 800-476-4103 • Simi Valley, CA: 800-423-0150 • Fax: 864-834-3518 • www.tsbrass.com

ITEM NO.	SALES NO.	DESCRIPTION
1	B-0107	Spray Valve w/ Hold Down Ring & Washer
2	010476-45	#27 Washer
3	000907-45	Ring, Spray Valve Hold Down
4	002987-40	Grip Handle Assembly
5	001014-45	Washer, B-0100 Hose Barrel
6	B-0044-H2A	44" Flex Hose Assembly Less Handle
7	000888-45	Overhead Spring, EZ-Install
8	000821-40	Spring Body
9	B-0109-01	6" Wall Bracket
10	000372-40	3/8" NPT x 24" Long Riser
11	004R	Finger Hook Assembly



Product Specifications:
Pre-Rinse Unit w/ 44" Flex Hose, B-0107 Spray Valve,
24" Riser, Overhead Spring, & 6" Wall Bracket

Drawn	Checked	Approved
JRM	DMH	JHB
Scale:	Date:	
NTS	07/14/11	