



T&S BRASS AND BRONZE WORKS, INC.

2 Saddleback Cove / P.O. Box 1088
Travelers Rest, SC 29690



REG. #A2601
ISO #9001

Model No.

B-7102

Item No.

Travelers Rest, SC: 800-476-4103 Simi Valley, CA: 800-423-0150 Fax: 864-834-3518 www.tsbrass.com

This Space for Architect/Engineer Approval

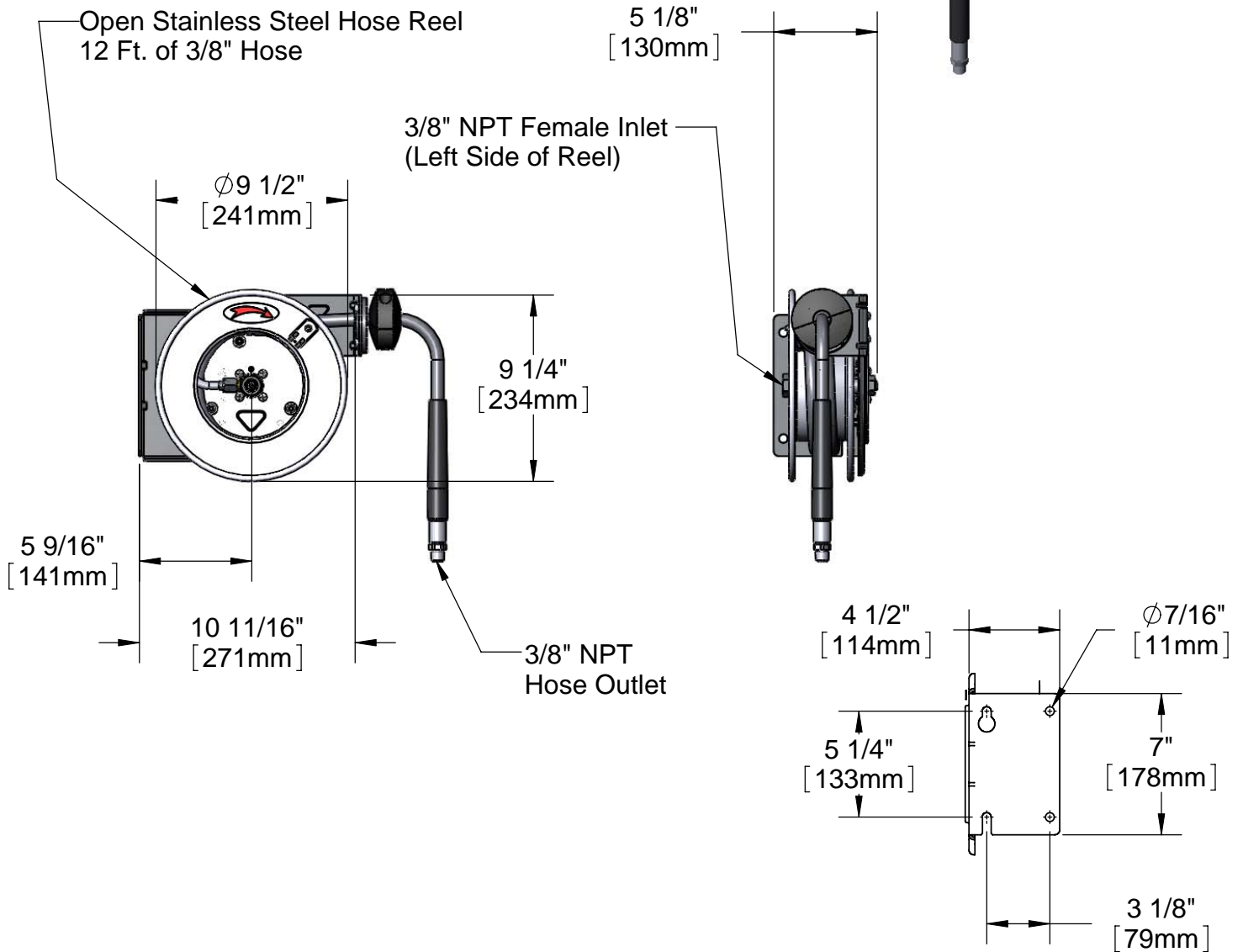
Job Name _____ Date _____

Model Specified _____ Quantity _____

Customer/Wholesaler _____

Contractor _____

Architect/Engineer _____



Product Specifications:

Hose Reel System:
3/8" x 12 Ft. Open Stainless Steel Reel
Less Spray Valve

Drawn	Checked	Approved
DMH	JRM	JHB
Scale:		Date:
1:8		05/04/10



T&S BRASS AND BRONZE WORKS, INC.

2 Saddleback Cove / P.O. Box 1088
Travelers Rest, SC 29690



REG. #A2601
ISO #9001

Model No.

B-7102

Item No.

Travelers Rest, SC: 800-476-4103 Simi Valley, CA: 800-423-0150 Fax: 864-834-3518 www.tsbrass.com

ITEM NO.	SALES NO.	DESCRIPTION
1	017938-45	3/8" x 12 Ft. Hose Replacement Kit
2	G016590-45	Hose Stop Repair Kit
3	017355-45	Swivel Repair Kit
4	014948-45	O-Ring Replacement Kit
5	017352-45	Guide Bushing
6	017362-45	Spring Assembly
7	017359-45	Ratchet Lever Kit



Product Specifications:

Hose Reel System:
3/8" x 12 Ft. Open Stainless Steel Reel
Less Spray Valve

Drawn DMH	Checked JRM	Approved JHB
Scale: 1:5		Date: 05/04/10