



T&S BRASS AND BRONZE WORKS, INC.

2 Saddleback Cove / P.O. Box 1088
Travelers Rest, SC 29690



REG. #A2601
ISO #9001

Model No.
B-7142-C01

Item No.

Travelers Rest, SC: 800-476-4103 Simi Valley, CA: 800-423-0150 Fax: 864-834-3518 www.tsbrass.com

This Space for Architect/Engineer Approval

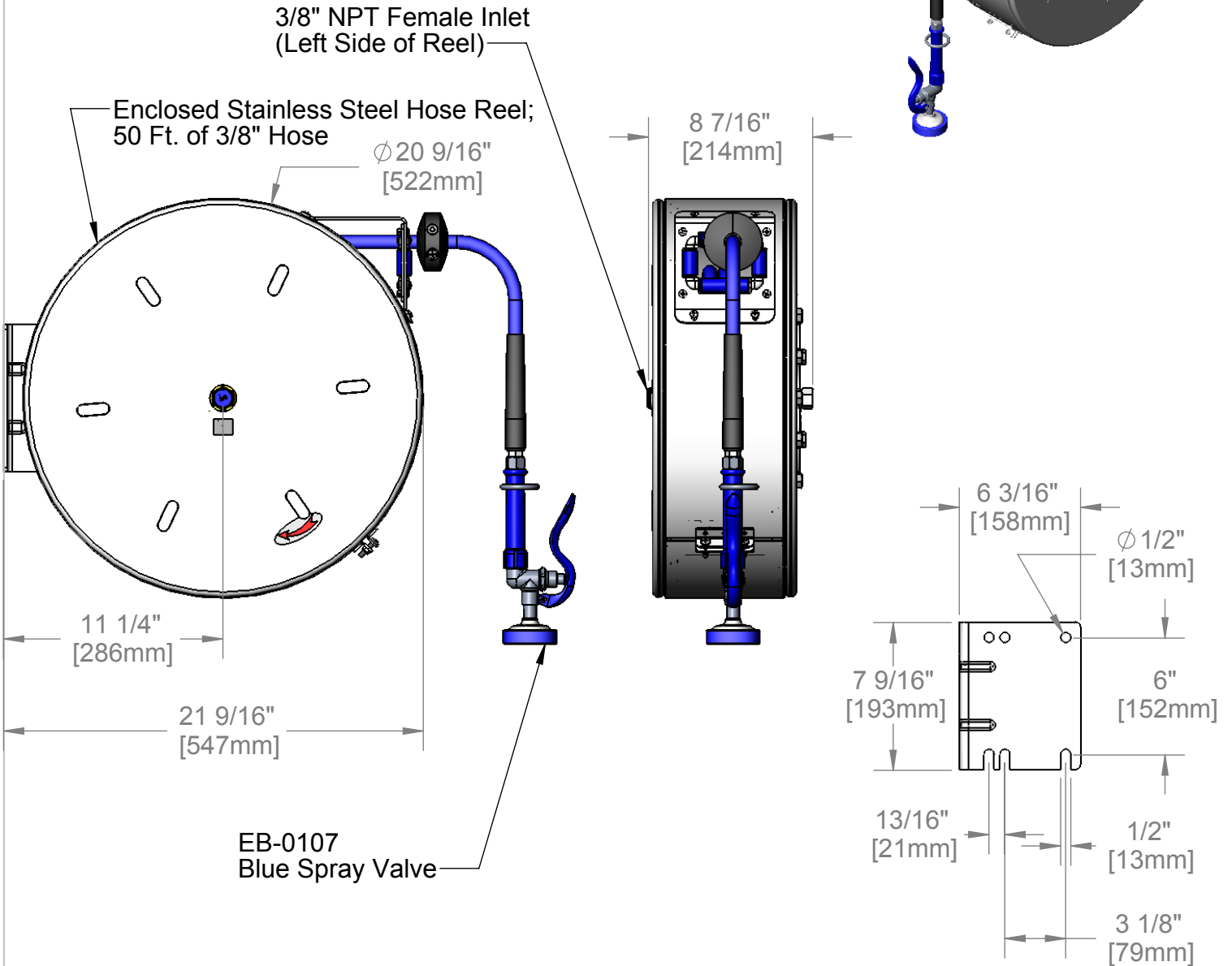
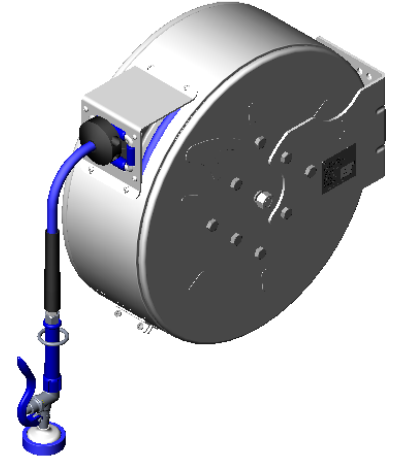
Job Name _____ Date _____

Model Specified _____ Quantity _____

Customer/Wholesaler _____

Contractor _____

Architect/Engineer _____



Product Specifications:

3/8" x 50 Ft. Enclosed Stainless Steel Reel
EB-0107 Blue Spray Valve

| | | |
|---------------|-------------------|-----------------|
| Drawn JRM | Checked DHL | Approved JHB |
| Scale: 1:8 | Date: 12/19/07 | |



T&S BRASS AND BRONZE WORKS, INC.
 2 Saddleback Cove / P.O. Box 1088
 Travelers Rest, SC 29690



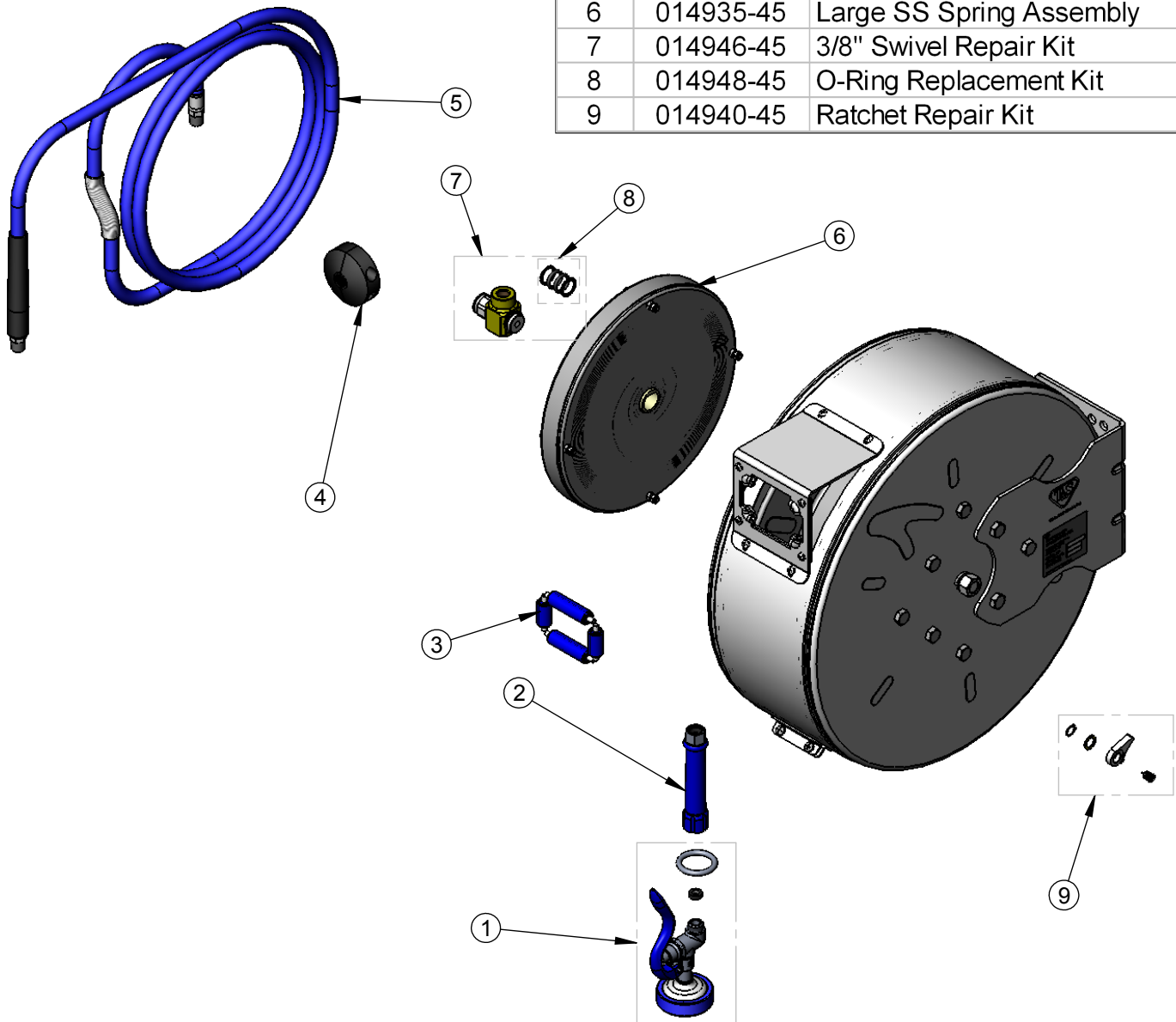
REG. #A2601
 ISO #9001

Model No.
B-7142-C01

Item No.

Travelers Rest, SC: 800-476-4103 Simi Valley, CA: 800-423-0150 Fax: 864-834-3518 www.tsbrass.com

| ITEM NO. | SALES NO. | DESCRIPTION |
|----------|-----------|---------------------------------|
| 1 | EB-0107 | Hi-Flow Blue Spray Valve |
| 2 | 012504-40 | Blue Handle Grip |
| 3 | 014937-45 | Roller Assembly Repair Kit |
| 4 | 014949-45 | Hose Stop Repair Kit |
| 5 | 014942-45 | 3/8" x 50' Hose Replacement Kit |
| 6 | 014935-45 | Large SS Spring Assembly |
| 7 | 014946-45 | 3/8" Swivel Repair Kit |
| 8 | 014948-45 | O-Ring Replacement Kit |
| 9 | 014940-45 | Ratchet Repair Kit |



Product Specifications:

3/8" x 50 Ft. Enclosed Stainless Steel Reel
 EB-0107 Blue Spray Valve

| | | |
|---------------|----------------|-------------------|
| Drawn JRM | Checked DHL | Approved JHB |
| Scale: 1:8 | | Date: 12/19/07 |