



T&S BRASS AND BRONZE WORKS, INC.
 2 Saddleback Cove / P.O. Box 1088
 Travelers Rest, SC 29690

Model No.
B-7142-C05

Item No.

Travelers Rest, SC: 800-476-4103 • Simi Valley, CA: 800-423-0150 • Fax: 864-834-3518 • www.tsbrass.com

This Space for Architect/Engineer Approval

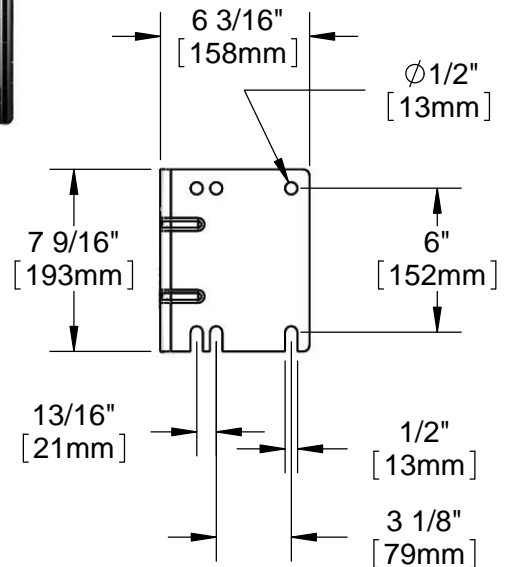
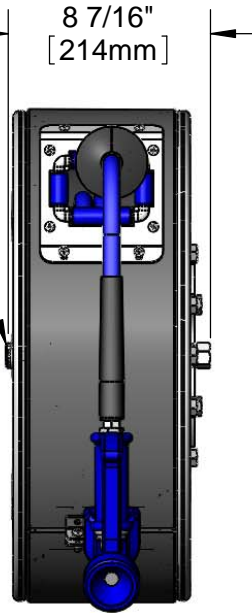
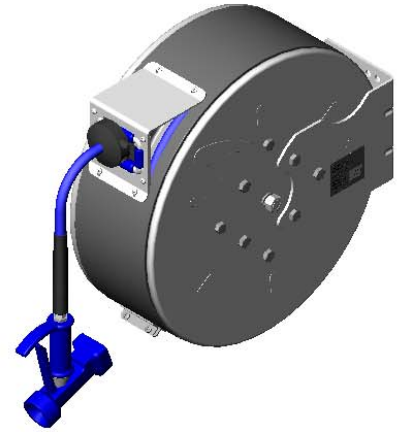
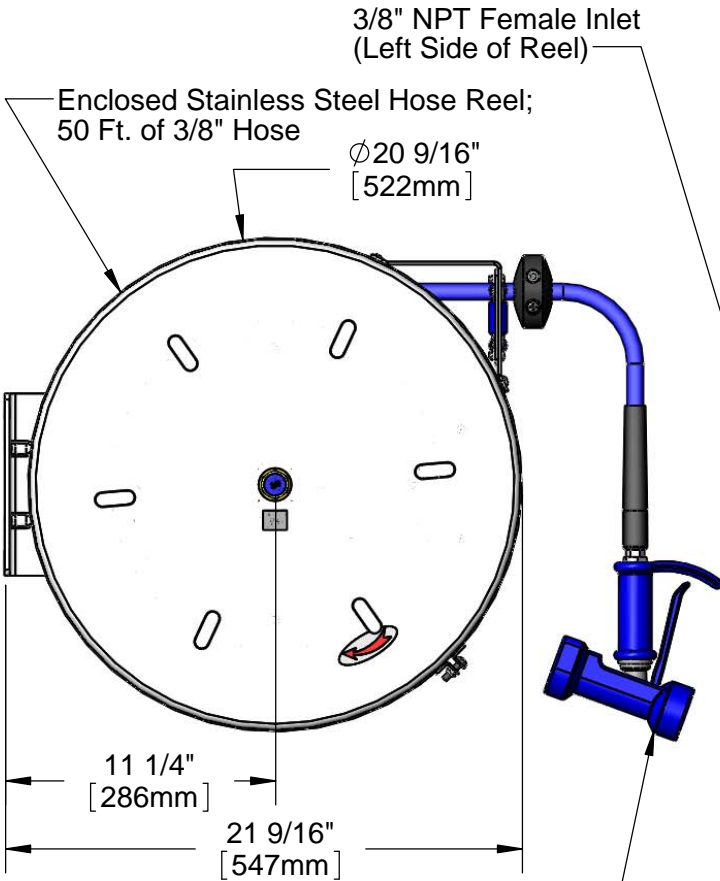
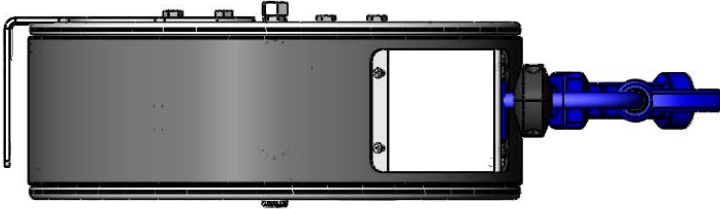
Job Name _____ Date _____

Model Specified _____ Quantity _____

Customer/Wholesaler _____

Contractor _____

Architect/Engineer _____



MV-2522-24 Front Trigger Style Water Gun w/ Retractable Hold Down Clip, Stainless Steel Body and Royal Blue Rubber Cover.

Product Specifications:
 3/8" x 50 Ft. Enclosed Stainless Steel Reel w/
 $\phi 5/16$ " Orifice Stainless Steel Front Trigger Water Gun

Drawn DHL	Checked DMH	Approved JHB
Scale: 1:8	Date: 02/11/13	



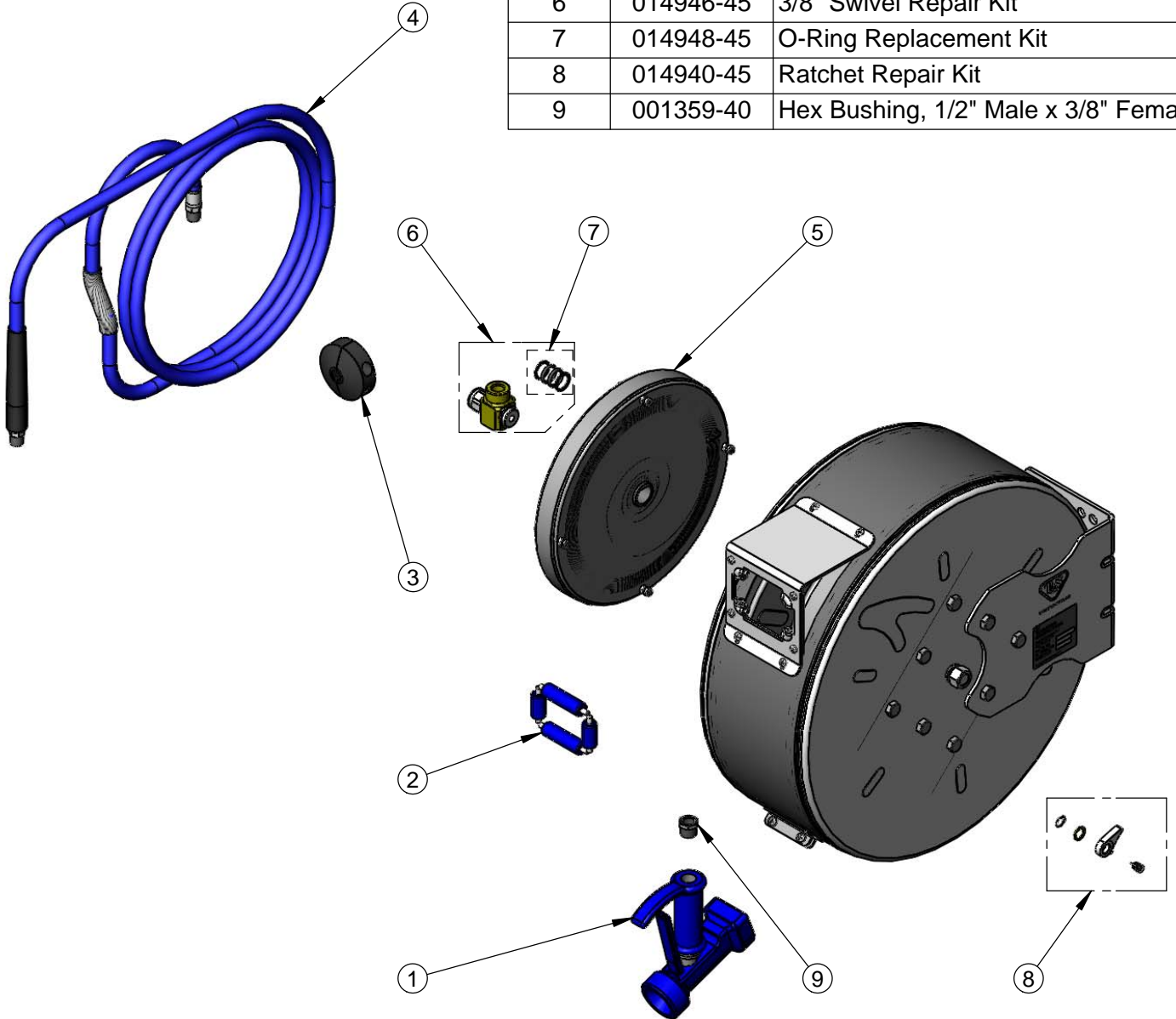
T&S BRASS AND BRONZE WORKS, INC.
 2 Saddleback Cove / P.O. Box 1088
 Travelers Rest, SC 29690

Model No.
B-7142-C05

Item No.

Travelers Rest, SC: 800-476-4103 • Simi Valley, CA: 800-423-0150 • Fax: 864-834-3518 • www.tsbrass.com

ITEM NO.	SALES NO.	DESCRIPTION
1	MV-2522-24	5/16" Orifice, Front Trigger Gun
2	014937-45	Roller Assembly Repair Kit
3	014949-45	Hose Stop Repair Kit
4	014942-45	3/8" x 50' Hose Replacement Kit
5	014935-45	Large SS Spring Assembly
6	014946-45	3/8" Swivel Repair Kit
7	014948-45	O-Ring Replacement Kit
8	014940-45	Ratchet Repair Kit
9	001359-40	Hex Bushing, 1/2" Male x 3/8" Female



Product Specifications:
 3/8" x 50 Ft. Enclosed Stainless Steel Reel w/
 Ø 5/16" Orifice Stainless Steel Front Trigger Water Gun

Drawn DHL	Checked DMH	Approved JHB
Scale: NTS		Date: 02/11/13