



T&S BRASS AND BRONZE WORKS, INC.

2 Saddleback Cove / P.O. Box 1088
Travelers Rest, SC 29690

Model No.

B-2740

Item No.

Travelers Rest, SC: 800-476-4103 • Simi Valley, CA: 800-423-0150 • Fax: 864-834-3518 • www.tsbrass.com

This Space for Architect/Engineer Approval

Job Name _____ Date _____

Model Specified _____ Quantity _____

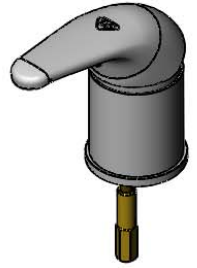
Customer/Wholesaler _____

Contractor _____

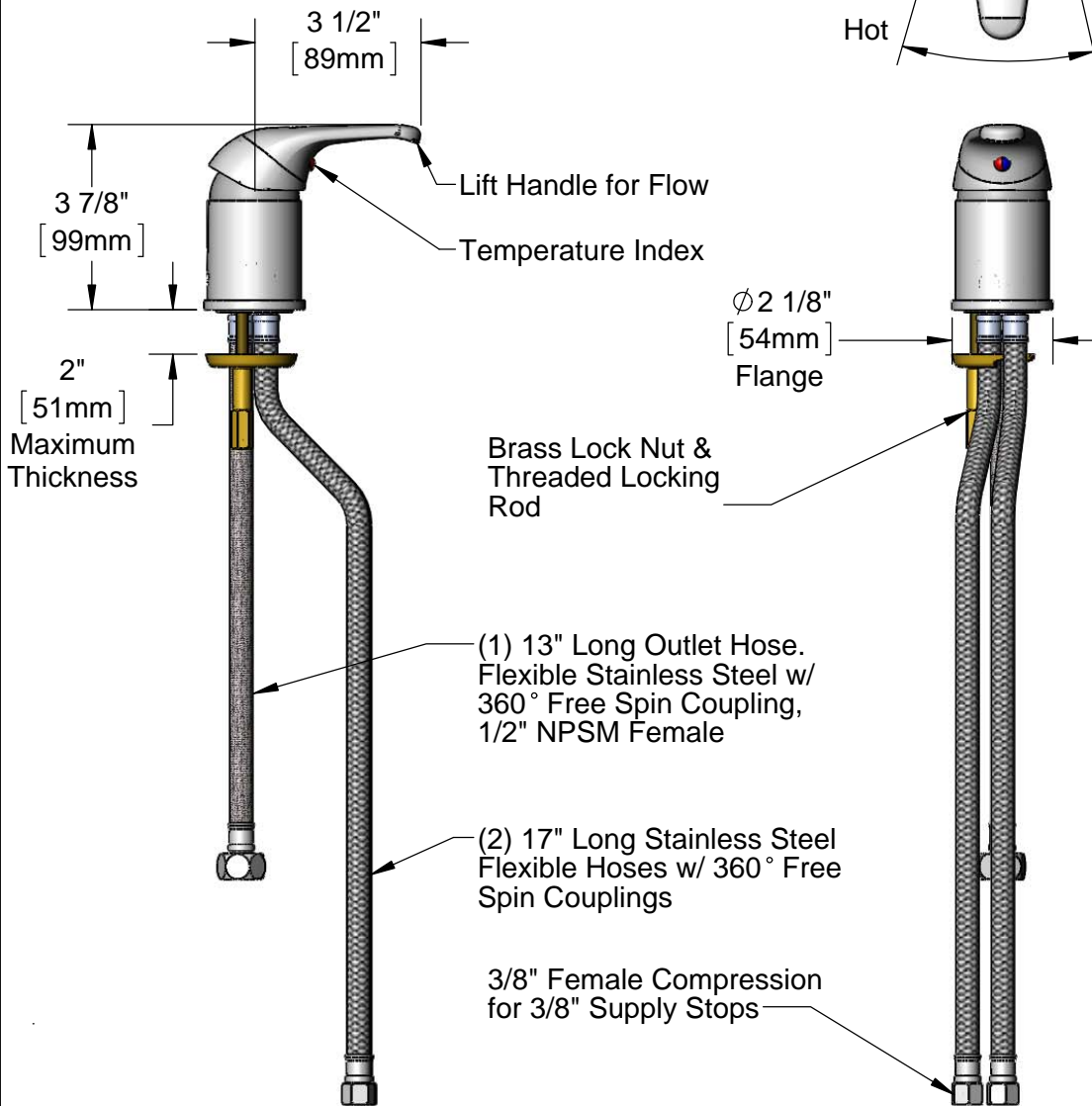
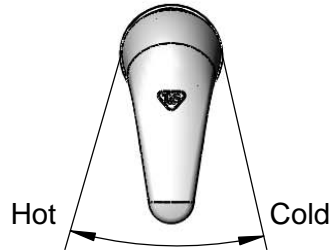
Architect/Engineer _____



ADA Compliant



Hoses Not Shown for Clarity



Rough-In Requirement:
Ø 1 1/2" [38mm] Mounting Hole

Product Specifications:
Side Mount Faucet:
Remote On/Off Control Base w/ Flexible Stainless Steel Water
Connectors & Ceramic Cartridge

Drawn KJG	Checked DMH	Approved JHB
Scale: 1:4		Date: 03/01/13

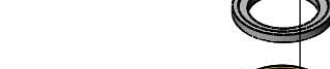
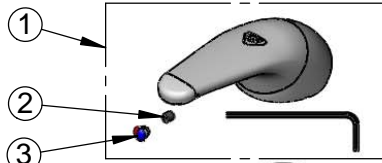


T&S BRASS AND BRONZE WORKS, INC.
 2 Saddleback Cove / P.O. Box 1088
 Travelers Rest, SC 29690

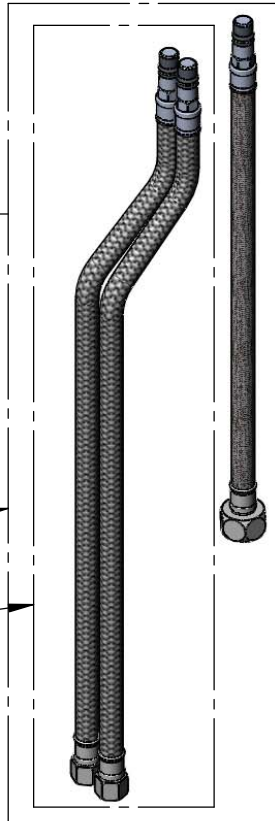
Model No.
B-2740

Item No.

Travelers Rest, SC: 800-476-4103 • Simi Valley, CA: 800-423-0150 • Fax: 864-834-3518 • www.tsbrass.com



ITEM NO.	SALES NO.	DESCRIPTION
1	013113-45	B-2710 Handle, Single Lever
2	016675-45	Set Screw
3	014173-45	Index, Temperature
4	016661-45	Trim Ring
5	016663-45	Locking Nut
6	013080-45	Cartridge, B-2740 Side Mount
7	013537-45	Inlet & Outlet Hoses, B-2740
8	016879-45	17" Flex Stainless Steel Supply Inlet Hoses



Product Specifications:
 Side Mount Faucet:
 Remote On/Off Control Base w/ Flexible Stainless Steel Water
 Connectors & Ceramic Cartridge

Drawn KJG	Checked DMH	Approved JHB
Scale: NTS		Date: 03/01/13