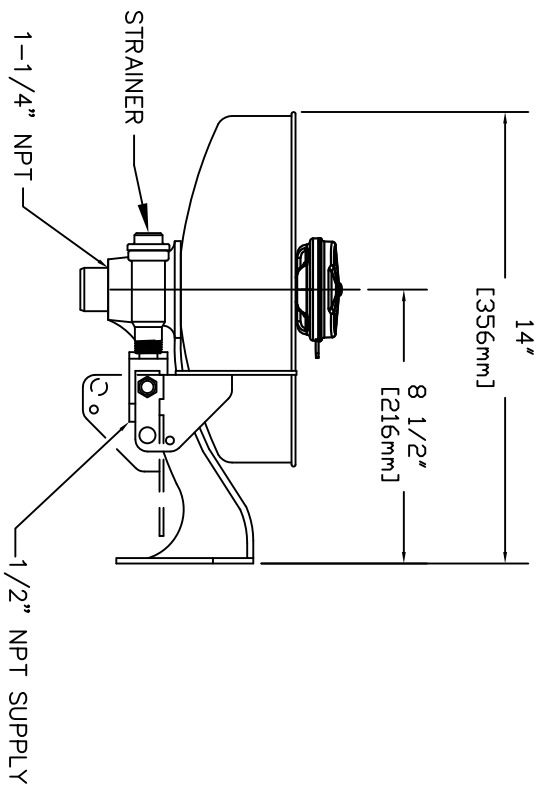
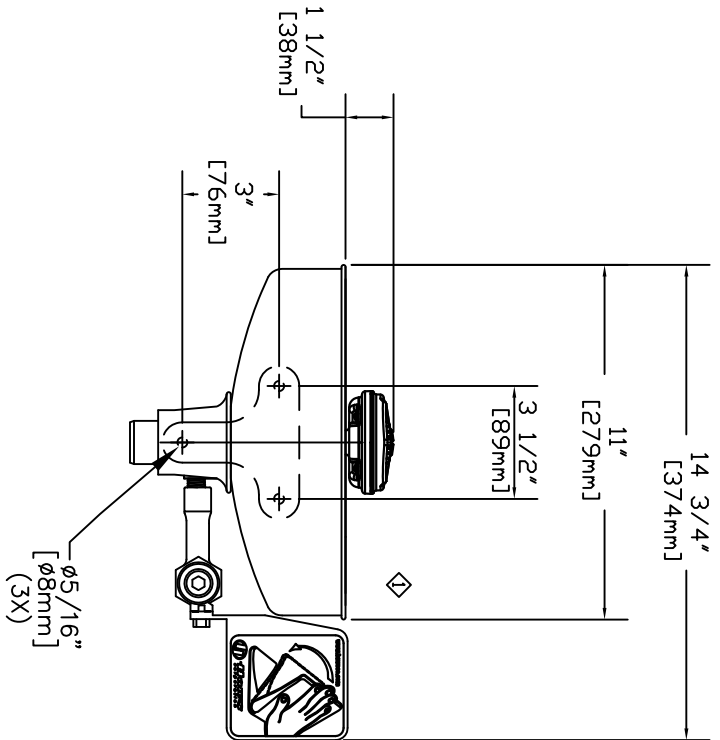


INCHES



- NOTES:
1. CERTIFIED TO ANSI STANDARD Z358.1 (LATEST REVISION).
 2. DIMENSIONS SHOWN ARE REFERENCE.
 3. HAWS CORPORATION MODEL NO. 7360B-7460B.

<p>THIS DRAWING CONTAINS PROPRIETARY INFORMATION IN BRASS AND BRONZE WORKS, INC. REPRODUCTION OF THIS DRAWING FROM THIS IS PROHIBITED.</p>		<p>THIS DRAWING CONTAINS PROPRIETARY INFORMATION IN BRASS AND BRONZE WORKS, INC. REPRODUCTION OF THIS DRAWING FROM THIS IS PROHIBITED.</p>	
DATE	DESCRIPTION	ECO	REVISIONS
12/20/10	HAWS STD PRODUCT	14301	
12/14/07	INITIAL RELEASE	13483	
<p>T&S BRASS AND BRONZE WORKS, INC. P.O. BOX 1088 2 SADDLEBACK COVE TRAVELERS REST SOUTH CAROLINA 29690</p>		<p>TOLERANCES UNLESS OTHERWISE SPECIFIED</p> <p>XXX ±.010 CONC. .010 TIR XXX ±.005 FRAC. ±1/64 ANGLES ±1/2° CHAMFERS 45° ALL SHARP EDGES. .005 MAX.</p>	
<p>MACHINE FINISH UNLESS OTHERWISE SPECIFIED</p> <p>SURFACE FINISH: REMOVE ALL BURRS AND BREAK ANGLES ±1/2° CHAMFERS 45° ALL SHARP EDGES. .005 MAX.</p>		<p>DRAWN ARH 9/6/07 FINISH N/A DRAWING B CHECKED GEF 12/13/07 MATERIAL N/A SCALE 1:4 APPROVED JHB 12/14/07</p>	
<p>TITLE EYEWASH, WALL MOUNT (PURCHASE)</p>		<p>DRAWING NUMBER EW-7360B SHEET 1 OF 1</p>	