



T&S BRASS AND BRONZE WORKS, INC.

2 SADDLEBACK COVE / P.O. BOX 1088 / TRAVELERS REST, SC 29690
PHONE 800-476-4103 - FAX 864- 834-3518

Sales No.

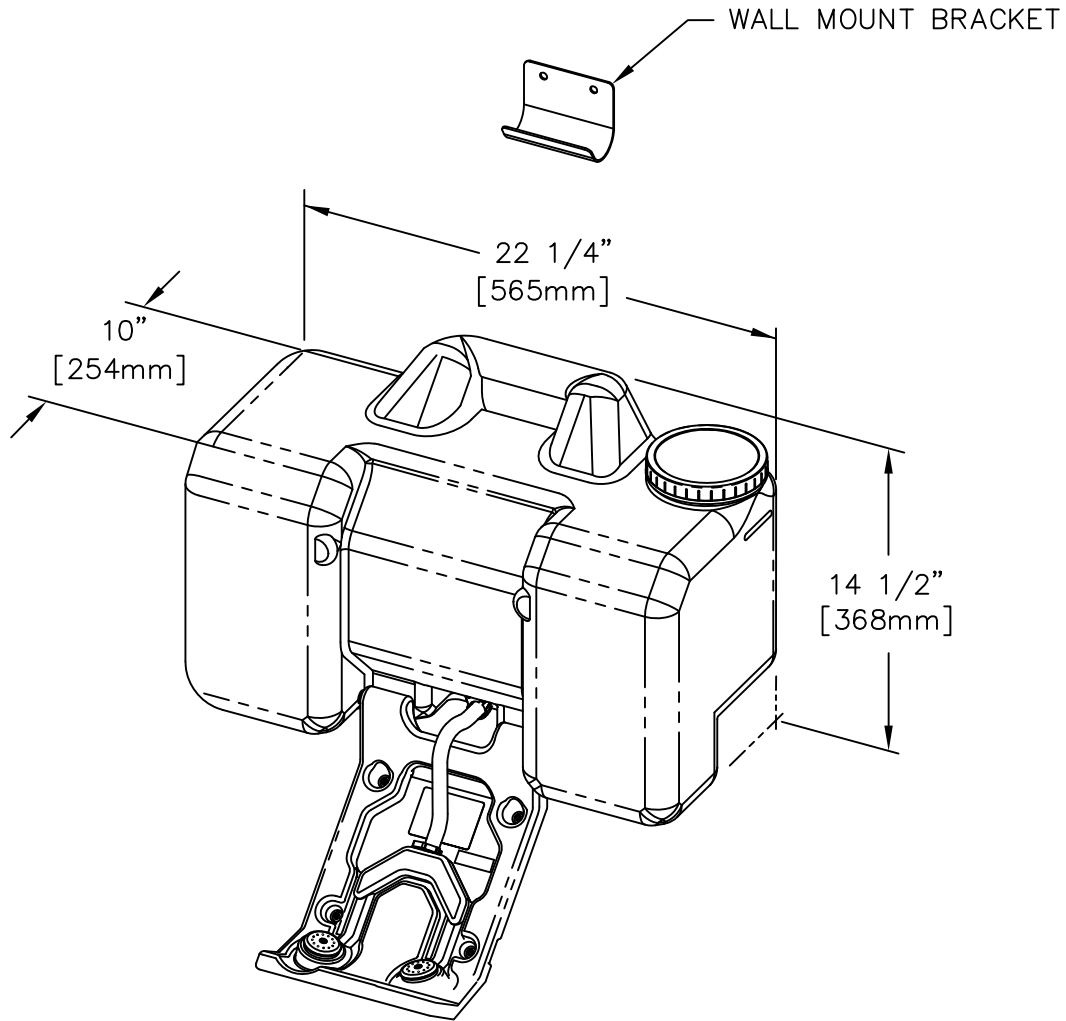
EW-7501

**RELIABILITY
BUILT IN**

Job Name:

Architect/Engineer Approval:

Notes:



NOTES:

1. PORTABLE EYEWASH STATION – 9 GALLON CAPACITY POLYETHYLENE TANK WITH WALL MOUNT BRACKET
2. EW-9082 BACTERIOSTATIC PRESERVATIVE SOLUTION SOLD SEPARATELY.
3. ANSI STANDARD Z358.1 APPROVED

Product Description:

PORTABLE EYEWASH – 9 GALLON CAPACITY,
GRAVITY OPERATED

Drawn:

DMH

Checked

KJG

Scale:

NONE

Approved

JHB

Date:

03/28/13