



# T&S BRASS AND BRONZE WORKS, INC.

2 Saddleback Cove / P.O. Box 1088  
Travelers Rest, SC 29690



REG. #A2601  
ISO #9001

Model No.  
MPZ-8DLN-06

Item No.

Travelers Rest, SC: 800-476-4103 Simi Valley, CA: 800-423-0150 Fax: 864-834-3518 www.tsbrass.com

This Space for Architect/Engineer Approval

Job Name \_\_\_\_\_ Date \_\_\_\_\_

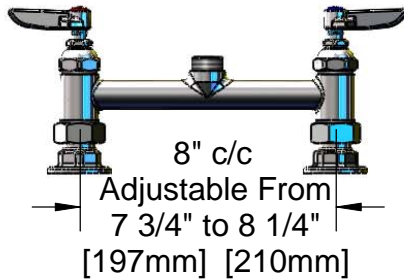
Model Specified \_\_\_\_\_ Quantity \_\_\_\_\_

Customer/Wholesaler \_\_\_\_\_

Contractor \_\_\_\_\_

Architect/Engineer \_\_\_\_\_

EPAct2005 Compliant  
For Commercial Use Only



B-0024-H  
24" Stainless Steel  
Hose w/ Polyurethane  
Inner Hose & Handle

Swing Nozzle  
Not Shown For  
Clarity

Overhead Spring, Hose  
& Spray Valve Not Shown  
For Clarity

059X  
6" Swing  
Nozzle w/  
B-PT Stream  
Regulator

B-0107  
Spray Valve  
w/ 1.42 GPM  
Flow Rate

004R  
Finger  
Hook

000364-40  
3/8" NPT  
x 8" Riser

24 1/8"  
[613mm]

9 3/4"  
[247mm]

6"  
[152mm]

8 7/8"  
[226mm]

B-0109-01  
6" Wall  
Bracket

6 1/2"  
[165mm]

8 5/16"  
[211mm]

Eterna Cartridges w/  
Spring Checks &  
Lever Handles

B-0155-LNEZ  
1/4 Turn Eterna  
Cartridge &  
Lever Handle

2"  
[51mm]  
Flanges(1/2" NPT  
Female Inlets)

Mounting  
Surface

Product Specifications:  
**Easy Install Pre-Rinse Unit:  
8" Deck Mount Mixing Faucet, Add-On Faucet w/  
6" Swing Nozzle, Compact Spring & Flex Hose, B-0107  
Spray Valve, 6" Wall Bracket & Lever Handles**

Drawn JRM	Checked DHL	Approved JHB
Scale: NTS		Date: 07/01/08



**T&S BRASS AND BRONZE WORKS, INC.**

2 Saddleback Cove / P.O. Box 1088  
Travelers Rest, SC 29690



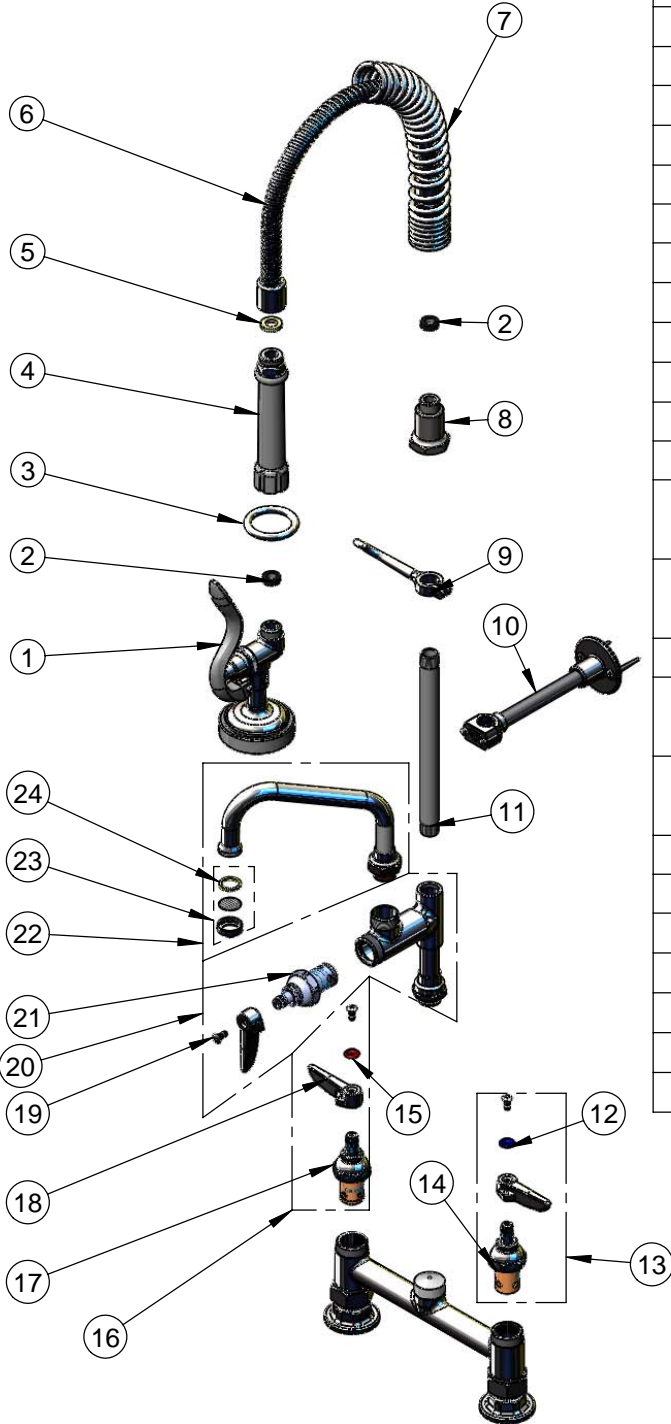
REG. #A2601  
ISO #9001

Model No.

**MPZ-8DLN-06**

Item No.

Travelers Rest, SC: 800-476-4103 Simi Valley, CA: 800-423-0150 Fax: 864-834-3518 www.tsbrass.com



ITEM NO.	SALES NO.	DESCRIPTION
1	B-0107	1.42 GPM Spray Valve
2	010476-45	#27 Washer
3	000907-45	Spray Valve Hold Down Ring
4	002987-40	Grip Handle Assembly
5	010475-45	Washer, B-0100 Hose Barrel
6	B-0024-H2A	24" Flex Hose Less handle
7	016795-45	Compact Spring
8	000821-40	Spring Body
9	004R	Finger Hook Assembly
10	B-0109-01	Bracket Assembly, 6" Wall
11	000364-40	3/8" x 8" Riser
12	001660-45	Blue Index-CW
13	002711-40	Cold Eterna Spindle Asm w/ SC, Handle, Screw & Index
14	012442-40	Cold Eterna Spindle Assembly w/ Spring Check
15	001661-45	Red Index-HW
16	002712-40	Hot Eterna Spindle Asm w/ SC, Handle, Screw & Index
17	012443-40	Hot Eterna Spindle Assembly w/ Spring Check
18	001638-45	Lever Handle
19	000922-45	Lever Handle Screw
20	B-0155-LNEZ	Add-On 1/4 Turn Faucet
21	007947-40	Quarter Turn Spindle Assembly
22	059X	6" Swing Nozzle
23	B-PT	Stream Regulator Outlet
24	001048-45	Nozzle Tip Washer

Product Specifications:

Easy Install Pre-Rinse Unit:  
8" Deck Mount Mixing Faucet, Add-On Faucet w/  
6" Swing Nozzle, Compact Spring & Flex Hose, B-0107  
Spray Valve, 6" Wall Bracket & Lever Handles

Drawn <b>JRM</b>	Checked <b>DHL</b>	Approved <b>JHB</b>
Scale: <b>NTS</b>		Date: <b>07/01/08</b>