



T&S BRASS AND BRONZE WORKS, INC.

2 Saddleback Cove / P.O. Box 1088
Travelers Rest, SC 29690

Model No.

MPZ-8WLN-06

Item No.

Travelers Rest, SC: 800-476-4103 • Simi Valley, CA: 800-423-0150 • Fax: 864-834-3518 • www.tsbrass.com

This Space for Architect/Engineer Approval

Job Name _____ Date _____

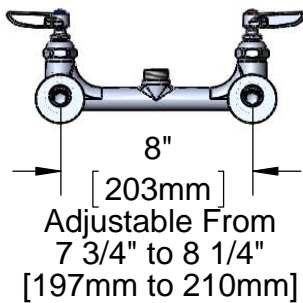
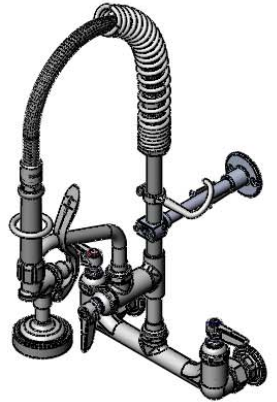
Model Specified _____ Quantity _____

Customer/Wholesaler _____

Contractor _____

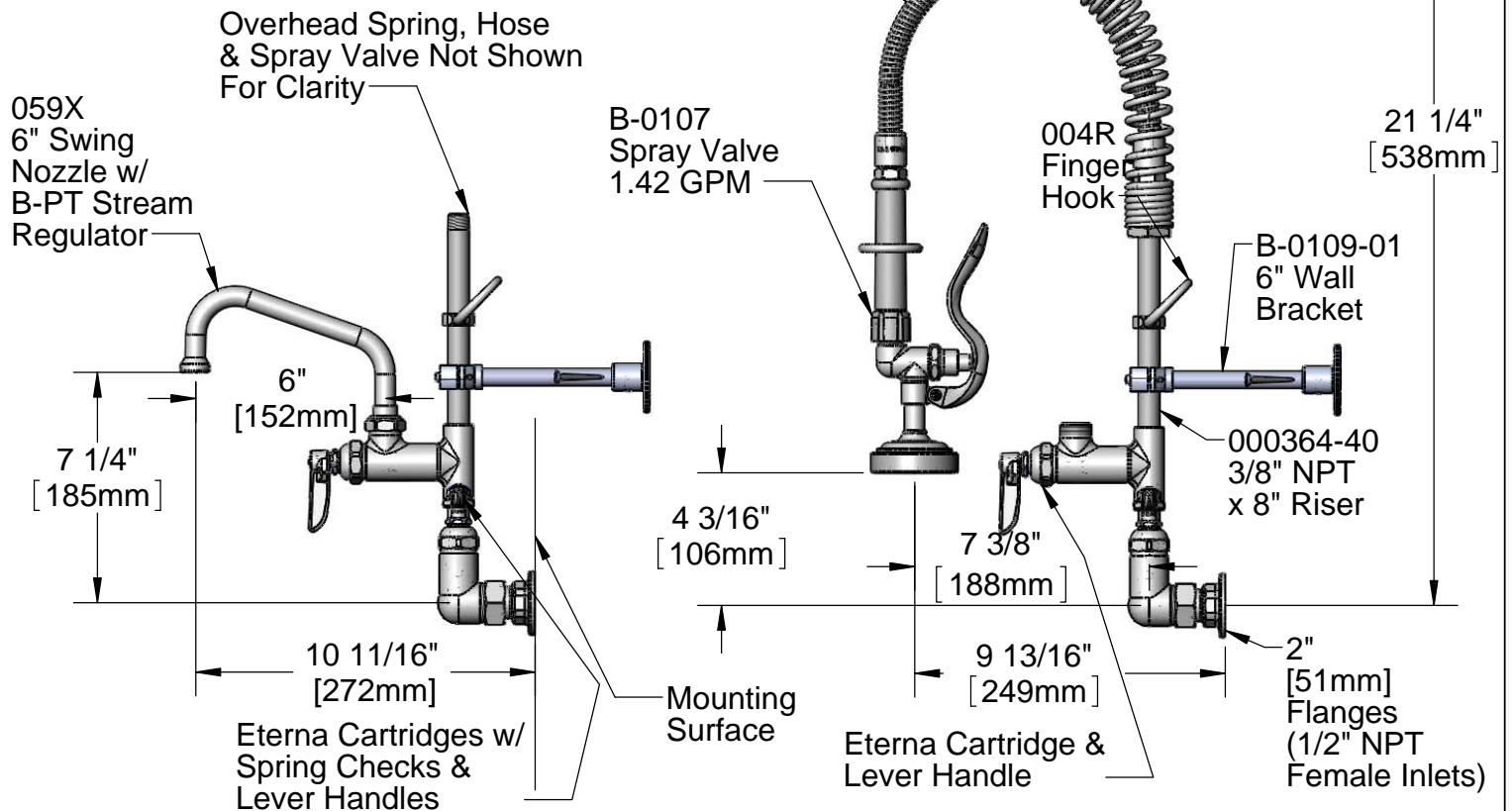
Architect/Engineer _____

EPAct2005 Compliant
For Commercial Use Only



B-0024-H
24" Stainless Steel
Hose w/ Polyurethane
Inner Hose & Handle

Swing Nozzle
Not Shown For
Clarity



Product Specifications:
Easy Install Pre-Rinse Unit:
8" Wall Mount Mixing Faucet, Add-On Faucet,
6" Swing Nozzle, Compact Spring & Flex Hose, B-0107
Spray Valve, 6" Wall Bracket & Lever Handles

Drawn	Checked	Approved
JRM	DMH	JHB
Scale:	Date:	
1:8	11/23/11	



T&S BRASS AND BRONZE WORKS, INC.

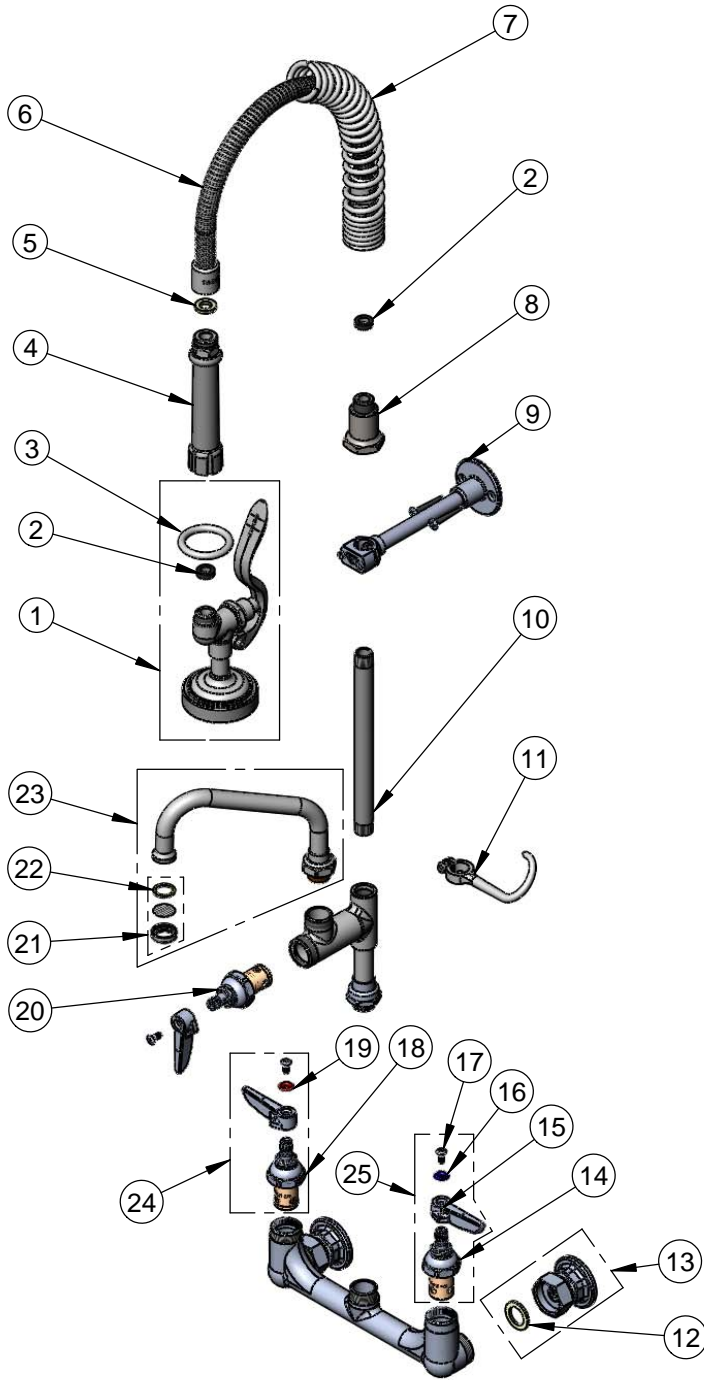
2 Saddleback Cove / P.O. Box 1088
Travelers Rest, SC 29690

Model No.

MPZ-8WLN-06

Item No.

Travelers Rest, SC: 800-476-4103 • Simi Valley, CA: 800-423-0150 • Fax: 864-834-3518 • www.tsbrass.com



ITEM NO.	SALES NO.	DESCRIPTION
1	B-0107	1.42 GPM Spray Valve
2	010476-45	#27 Washer
3	000907-45	Hold Down Ring
4	002987-40	Grip Handle Assembly
5	001014-45	Washer, B-0100 Hose Barrel
6	B-0024-H2A	24" Flex Hose Less Handle
7	016795-45	Compact Pre-Rinse Spring
8	000821-40	Spring Body
9	B-0109-01	6" Wall Bracket
10	000364-40	3/8" x 8" Riser
11	004R	Finger Hook
12	006925-45	Coupling Nut Washer
13	00AA	00AA Flange Assembly
14	012442-40	Eterna Cartridge LTC w/ Spring Check
15	001638-45	Lever handle
16	001660-45	Cold, Index Button
17	000922-45	Screw, Lever
18	012443-40	Eterna Cartridge RTC w/ Spring Check
19	001661-45	Hot, Index Button
20	007947-40	Add-On 1/4 Turn Cartridge
21	B-PT	Stream Regulator Outlet
22	001038-45	Nozzle Tip Washer
23	059X	6" Swing Nozzle
24	002712-40	Eterna Cartridge RTC w/ Spring Check, Handle, Screw & Index
25	002711-40	Eterna Cartridge LTC w/ Spring Check, Handle, Screw & Index

Product Specifications:

Easy Install Pre-Rinse Unit:
8" Wall Mount Mixing Faucet, Add-On Faucet,
6" Swing Nozzle, Compact Spring & Flex Hose, B-0107
Spray Valve, 6" Wall Bracket & Lever Handles

Drawn

JRM

Checked

DMH

Approved

JHB

Scale:

NTS

Date:

11/23/11