



# T&S BRASS AND BRONZE WORKS, INC.

2 Saddleback Cove / P.O. Box 1088  
Travelers Rest, SC 29690



REG. #A2601  
ISO #9001

Model No.

**MPY-2DLN-06**

Item No.

Travelers Rest, SC: 800-476-4103 Simi Valley, CA: 800-423-0150 Fax: 864-834-3518 www.tsbrass.com

This Space for Architect/Engineer Approval

Job Name \_\_\_\_\_ Date \_\_\_\_\_

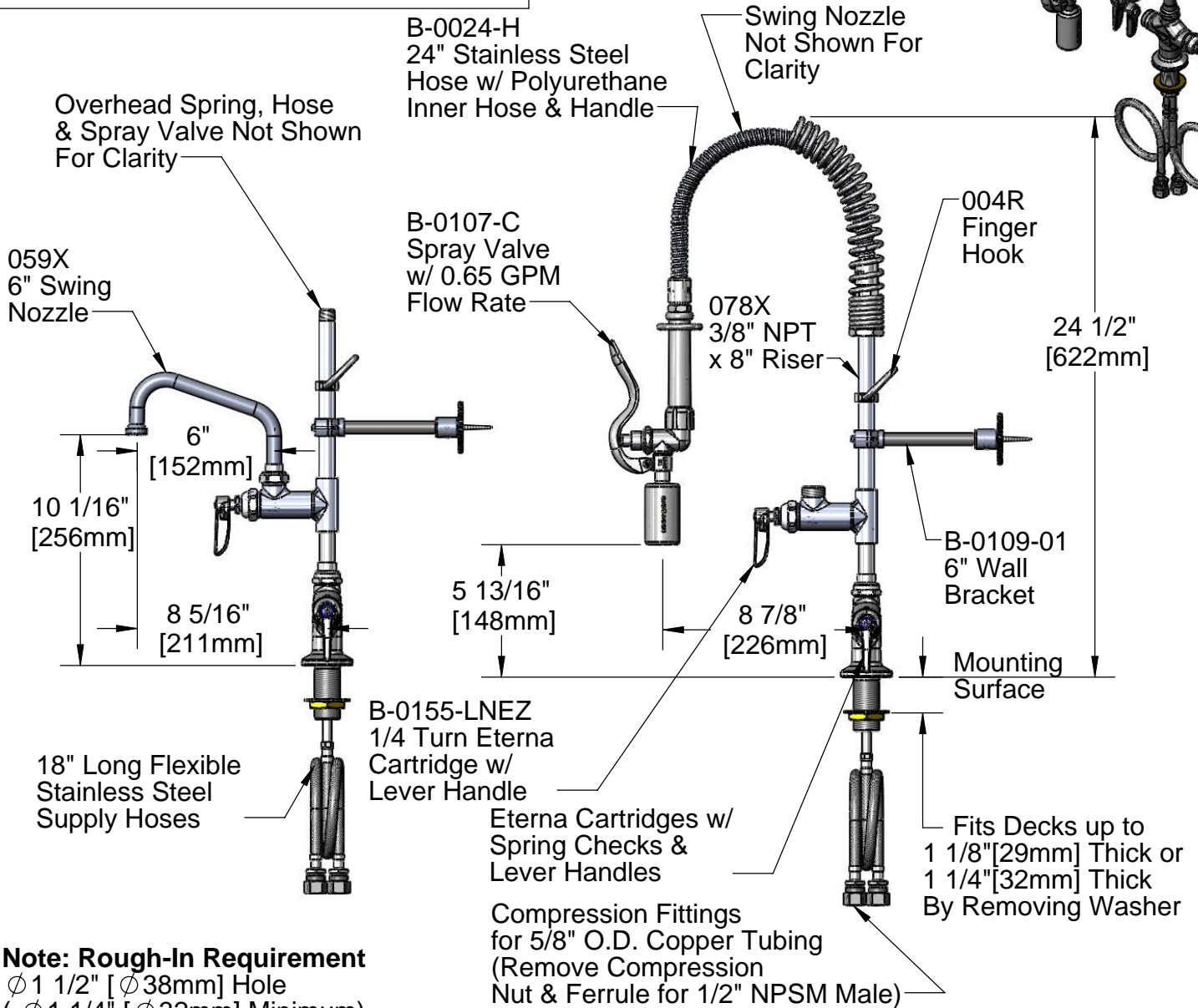
Model Specified \_\_\_\_\_ Quantity \_\_\_\_\_

Customer/Wholesaler \_\_\_\_\_

Contractor \_\_\_\_\_

Architect/Engineer \_\_\_\_\_

EPA Act 2005 Compliant  
For Commercial Use Only



**Note: Rough-In Requirement**  
Ø 1 1/2" [Ø 38mm] Hole  
(Ø 1 1/4" [Ø 32mm] Minimum)

Product Specifications:  
**Easy Install Pre-Rinse Unit:  
Single Deck Mount Base Mixing Faucet, Add on Faucet w/  
6" Swing Nozzle, Compact Spring & Flex Hose, B-0107-C  
Spray Valve, 6" Wall Bracket & Lever Handles**

Drawn JRM	Checked DMH	Approved JHB
Scale: NTS	Date: 08/27/09	



# T&S BRASS AND BRONZE WORKS, INC.

2 Saddleback Cove / P.O. Box 1088  
Travelers Rest, SC 29690



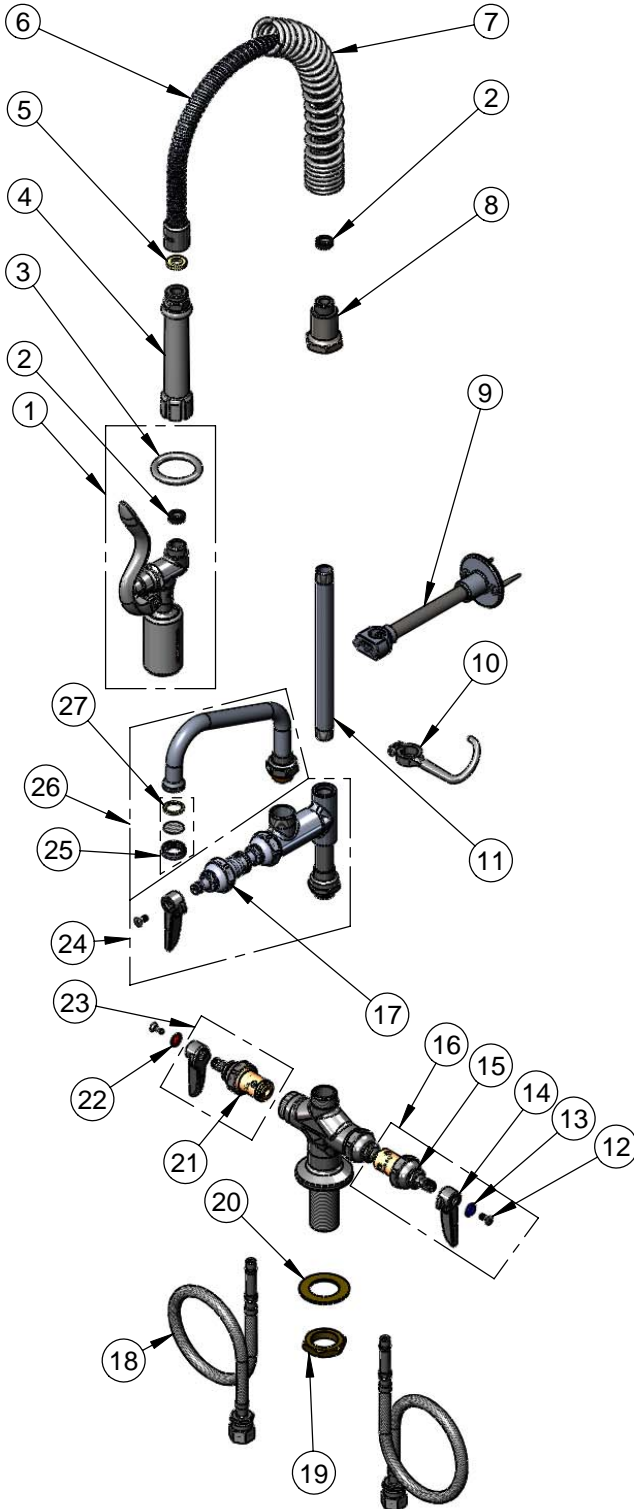
REG. #A2601  
ISO #9001

Model No.

**MPY-2DLN-06**

Item No.

Travelers Rest, SC: 800-476-4103 Simi Valley, CA: 800-423-0150 Fax: 864-834-3518 www.tsbrass.com



ITEM NO.	SALES NO.	DESCRIPTION
1	B-0107-C	0.65 GPM Spray Valve
2	010476-45	#27 Washer
3	000907-45	Spray Valve Hold Down Ring
4	002987-40	Grip Handle Assembly
5	001014-45	Washer, B-0100 Hose Barrel
6	B-0024-H2A	24" Flex Hose Less Handle
7	016795-45	Compact Spring
8	000821-40	Spring Body
9	B-0109-01	Bracket Assembly, 6" Wall
10	004R	Finger Hook Assembly
11	078X	3/8" x 8" Riser
12	000922-45	Lever Handle Screw
13	001660-45	Blue Index-CW
14	001638-45	Lever Handle
15	012442-40	Cold Eterna Spindle Assembly w/ Spring Check
16	002711-40	Cold Eterna Spindle Asm w/ SC, Handle, Index & Screw
17	007947-40	Quarter Turn Spindle Assembly
18	012534-45	Flexible Connector Hose
19	000965-45	Lock Nut
20	002290-45	Lock Washer
21	012443-40	Hot Eterna Spindle Assembly w/ Spring Check
22	001661-45	Red Index-HW
23	002712-40	Hot Eterna Spindle Asm w/ SC, Handle, Index & Screw
24	B-0155-LNEZ	Add-On 1/4 Turn faucet
25	B-PT	Stream Regulator Outlet
26	059X	6" Swing Nozzle
27	001048-45	Nozzle Tip Washer

Product Specifications:

**Easy Install Pre-Rinse Unit:**  
Single Deck Mount Base Mixing Faucet, Add on Faucet w/  
6" Swing Nozzle, Compact Spring & Flex Hose, B-0107-C  
Spray Valve, 6" Wall Bracket & Lever Handles

Drawn <b>JRM</b>	Checked <b>DMH</b>	Approved <b>JHB</b>
Scale: <b>NTS</b>		Date: <b>08/27/09</b>