



T&S BRASS AND BRONZE WORKS, INC.

2 Saddleback Cove / P.O. Box 1088
Travelers Rest, SC 29690



REG. #A2601
ISO #9001

Model No.
MPY-8WLN-08

Item No.

Travelers Rest, SC: 800-476-4103 Simi Valley, CA: 800-423-0150 Fax: 864-834-3518 www.tsbrass.com

This Space for Architect/Engineer Approval

Job Name _____ Date _____

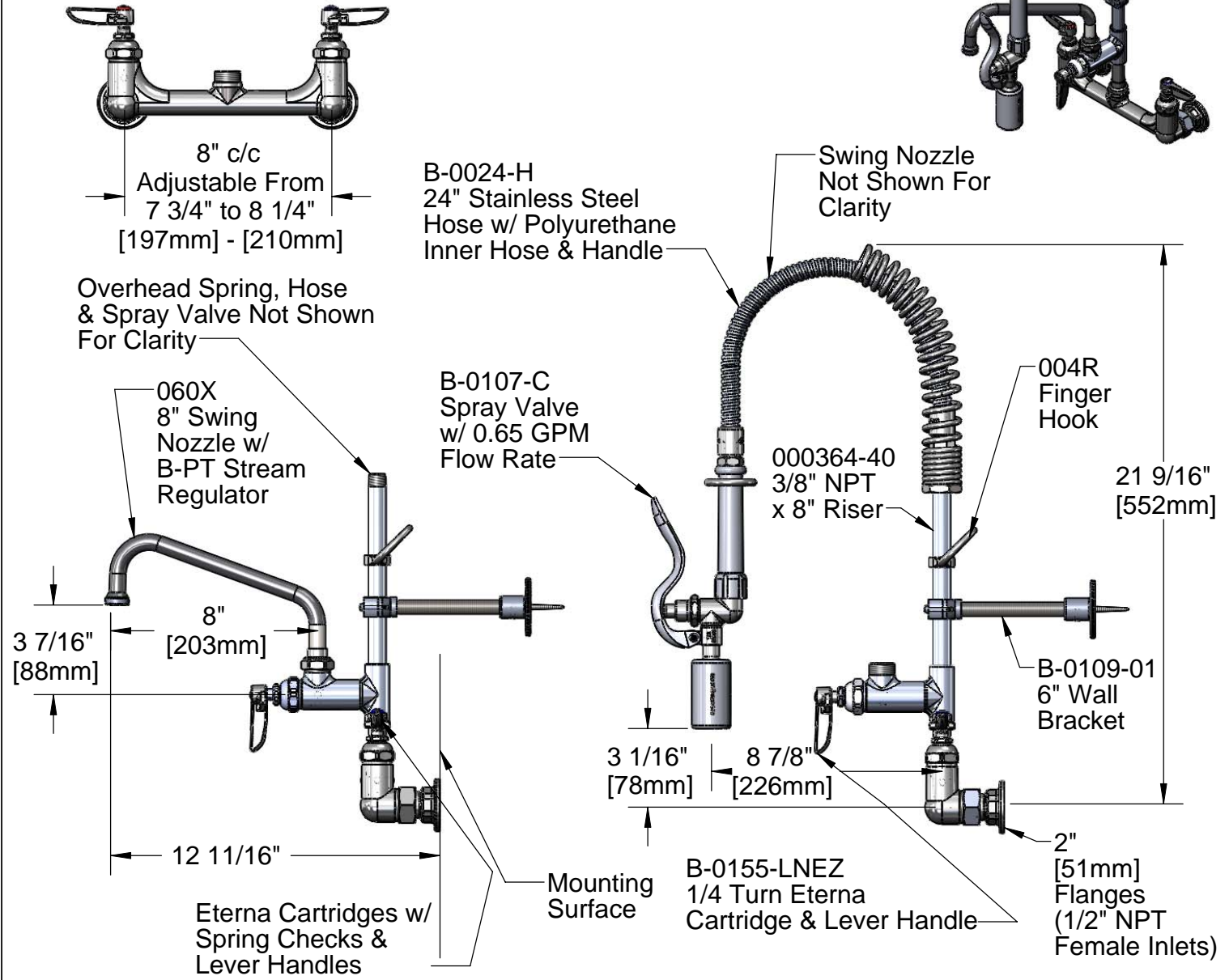
Model Specified _____ Quantity _____

Customer/Wholesaler _____

Contractor _____

Architect/Engineer _____

EPAct2005 Compliant
For Commercial Use Only



Product Specifications:

**Easy Install Pre-Rinse Unit:
8" Wall Mount Mixing Faucet, Add-On Faucet w/
8" Swing Nozzle, Compact Spring & Flex Hose, B-0107-C
Spray Valve, 6" Wall Bracket & Lever Handles**

Drawn JRM	Checked DMH	Approved JHB
Scale: NTS		Date: 08/27/09



T&S BRASS AND BRONZE WORKS, INC.

2 Saddleback Cove / P.O. Box 1088
Travelers Rest, SC 29690



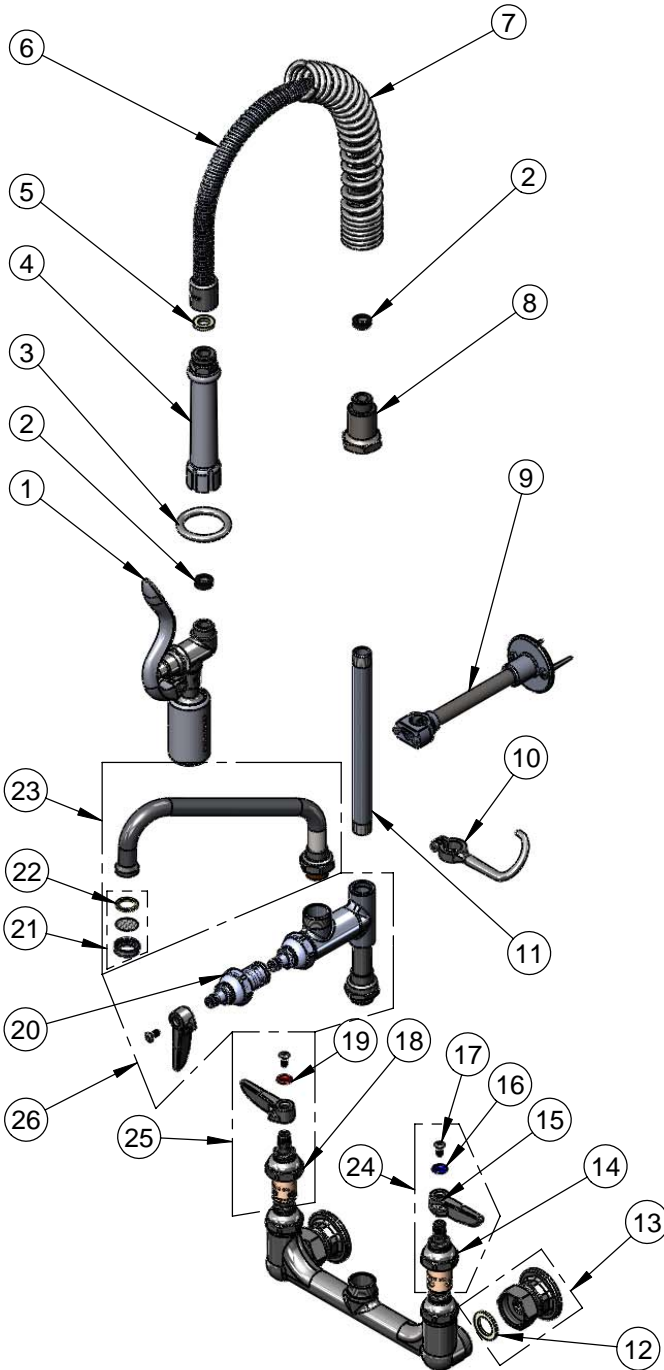
REG. #A2601
ISO #9001

Model No.

MPY-8WLN-08

Item No.

Travelers Rest, SC: 800-476-4103 Simi Valley, CA: 800-423-0150 Fax: 864-834-3518 www.tsbrass.com



ITEM NO.	SALES NO.	DESCRIPTION
1	B-0107-C	0.65 GPM Spray Valve
2	010476-45	#27 Washer
3	000907-45	Hold Down Ring
4	002987-40	Grip Handle Assembly
5	001014-45	Washer, B-0100 Hose Barrel
6	B-0024-H2A	24" Flex Hose Less Handle
7	016795-45	Compact Pre-Rinse Spring
8	000821-40	Spring Body
9	B-0109-01	Bracket Assembly, 6" Wall
10	004R	Finger Hook
11	000364-40	3/8" x 8" Riser
12	001019-45	Coupling Nut Washer
13	00AA	00AA Flange Assembly
14	012442-40	Cold Eterna Spindle Assembly w/ Spring Check
15	001638-45	Lever handle
16	001660-45	Cold, Index Button
17	000922-45	Screw, Lever
18	012443-40	Hot Eterna Spindle Assembly w/ Spring Check
19	001661-45	Hot, Index Button
20	007947-40	Quarter Turn Spindle Assembly
21	B-PT	Stream Regulator Outlet
22	001048-45	Nozzle Tip Washer
23	060X	060X Swing Nozzle Asm
24	002711-40	Cold Eterna Spindle Asm w/ SC, Handle, Screw & Index
25	002712-40	Hot Eterna Spindle Asm w/ SC, Handle, Screw & Index
26	B-0155-LNEZ	Add-On 1/4 Turn Faucet

Product Specifications:

Easy Install Pre-Rinse Unit:
8" Wall Mount Mixing Faucet, Add-On Faucet w/
8" Swing Nozzle, Compact Spring & Flex Hose, B-0107-C
Spray Valve, 6" Wall Bracket & Lever Handles

Drawn	Checked	Approved
JRM	DMH	JHB
Scale:		Date:
NTS		08/27/09