



T&S BRASS AND BRONZE WORKS, INC.

2 Saddleback Cove / P.O. Box 1088
Travelers Rest, SC 29690



REG. #A2601
ISO #9001

Model No.

MPY-8WLN-12-CR

Item No.

Travelers Rest, SC: 800-476-4103 Simi Valley, CA: 800-423-0150 Fax: 864-834-3518 www.tsbrass.com

This Space for Architect/Engineer Approval

Job Name _____ Date _____

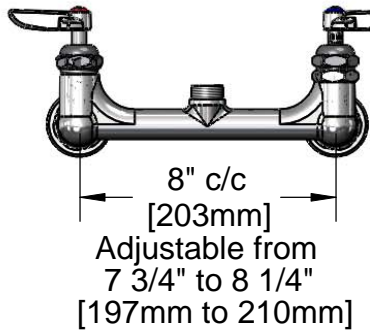
Model Specified _____ Quantity _____

Customer/Wholesaler _____

Contractor _____

Architect/Engineer _____

**EPAct2005 Compliant
For Commercial Use Only**

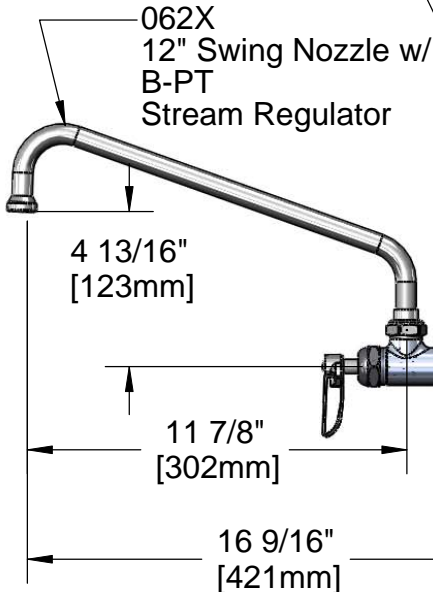


Cerama Cartridges w/ Check Valve & Lever Handles w/ Color Coded Indexes

B-0024-H
24" Stainless Steel
Hose w/ Polyurethane
Inner Hose & Handle

Swing Nozzle
Not Shown For
Clarity

Overhead Spring, Hose
& Spray Valve Not Shown
For Clarity



B-0107-C
Spray Valve
w/ 0.65 GPM
Flow Rate

Mounting
Surface

3 1/16"
[85mm]

3/8" NPT
x 8" Riser

004R
Finger
Hook

B-0109-01
6" Wall
Bracket

21 11/16"
[559mm]

Cerama
Cartridge &
Lever Handle

Ø 2"
[51mm]
Flanges
(1/2" NPT
Female Inlets)

8 7/8"
[226mm]

Product Specifications:

**Easy Install Pre-Rinse Unit:
8" Wall Mount Mixing Faucet, Add-On Faucet w/ 12"
Swing Nozzle, Compact Spring & Flex Hose, B-0107-C
Spray Valve, 6" Wall Bracket & Lever Handles**

Drawn
JRM

Checked
DMH

Approved
JHB

Scale:

NTS

Date:

08/25/10



T&S BRASS AND BRONZE WORKS, INC.

2 Saddleback Cove / P.O. Box 1088
Travelers Rest, SC 29690



REG. #A2601
ISO #9001

Model No.

MPY-8WLN-12-CR

Item No.

Travelers Rest, SC: 800-476-4103 Simi Valley, CA: 800-423-0150 Fax: 864-834-3518 www.tsbrass.com

	ITEM NO.	SALES NO.	DESCRIPTION
	1	B-0107-C	0.65 GPM Spray Valve
	2	010476-45	#27 Washer
	3	000907-45	Spray Valve Hold Down Ring
	4	002987-40	Grip Handle Assembly
	5	001014-45	Washer, B-0100 Hose Barrel
	6	B-0024-H2A	24" Flex Hose Less Handle
	7	016795-45	Compact Spring
	8	000821-40	Spring Body
	9	B-0109-01	6" Wall Bracket Assembly
	10	004R	Finger Hook Assembly
	11	001019-45	Coupling Nut Washer
	12	00AA	00AA Flange Assembly
	13	012395-25	Cerama Cartridge, LTC w/ CV
	14	001638-45	Lever Handle
	15	001660-45	Blue Index-CW
	16	000922-45	Lever Handle Screw
	17	012394-25	Cerama Cartridge, RTC w/ CV
	18	001661-45	Red Index-HW
	19	011278-25	Cerama Cartridge RTC
	20	B-PT	Stream Regulator Outlet
	21	001048-45	Nozzle Tip Washer
	22	062X	12" Swing Nozzle

Product Specifications:

Easy Install Pre-Rinse Unit:
8" Wall Mount Mixing Faucet, Add-On Faucet w/ 12"
Swing Nozzle, Compact Spring & Flex Hose, B-0107-C
Spray Valve, 6" Wall Bracket & Lever Handles

Drawn JRM	Checked DMH	Approved JHB
Scale: NTS		Date: 08/25/10