



**T&S BRASS AND BRONZE WORKS, INC.**  
 2 Saddleback Cove / P.O. Box 1088  
 Travelers Rest, SC 29690

Model No.  
**B-0133-CRB-145X**

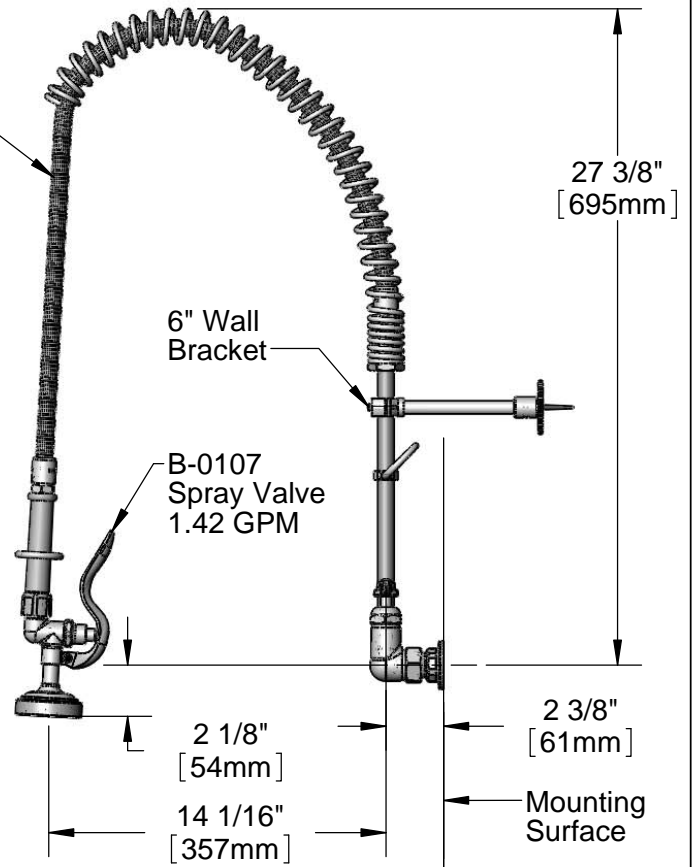
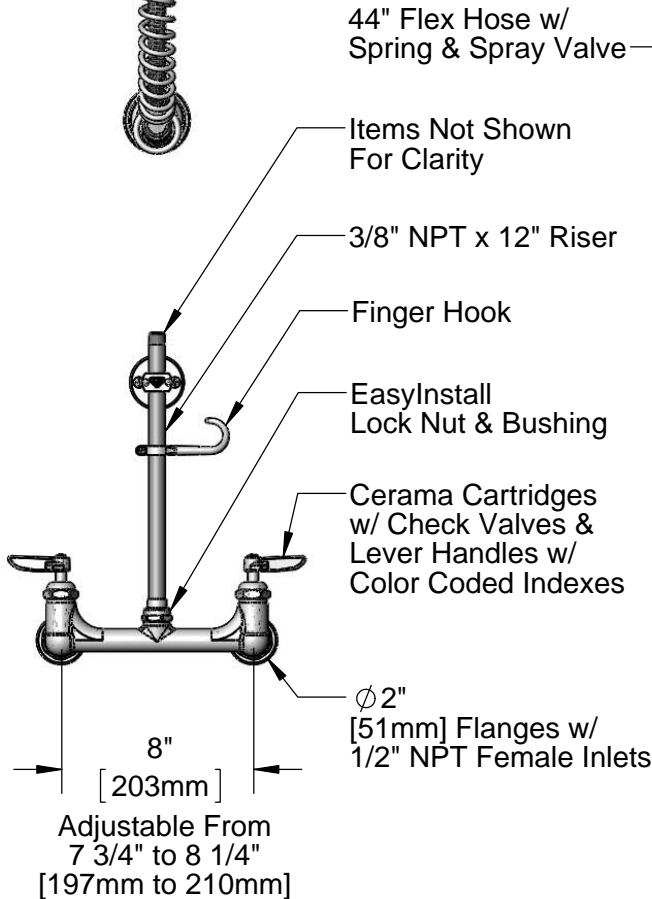
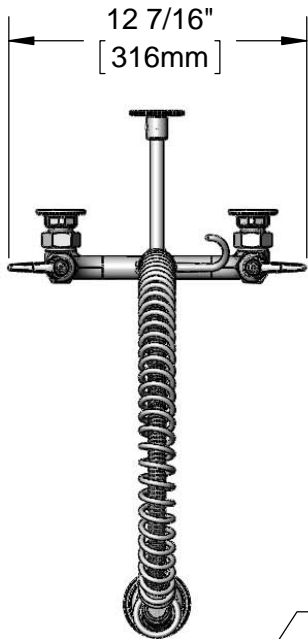
Item No.

Travelers Rest, SC: 800-476-4103 • Simi Valley, CA: 800-423-0150 • Fax: 864-834-3518 • www.tsbrass.com

**EPAct 2005 Compliant**

This Space for Architect/Engineer Approval

Job Name \_\_\_\_\_ Date \_\_\_\_\_  
 Model Specified \_\_\_\_\_ Quantity \_\_\_\_\_  
 Customer/Wholesaler \_\_\_\_\_  
 Contractor \_\_\_\_\_  
 Architect/Engineer \_\_\_\_\_



Product Specifications:  
 Pre-Rinse Unit: EasyInstall 8" Wall Mount Mixing Faucet, Cerama Cartridges, 12" Long Riser, 44" Stainless Steel Flex Hose w/ B-0107 Spray Valve, 6" Wall Bracket, & 1/2" NPT Female Inlets

Drawn <b>KJG</b>	Checked <b>DMH</b>	Approved <b>JHB</b>
Scale: <b>1:8</b>		Date: <b>04/23/13</b>



# T&S BRASS AND BRONZE WORKS, INC.

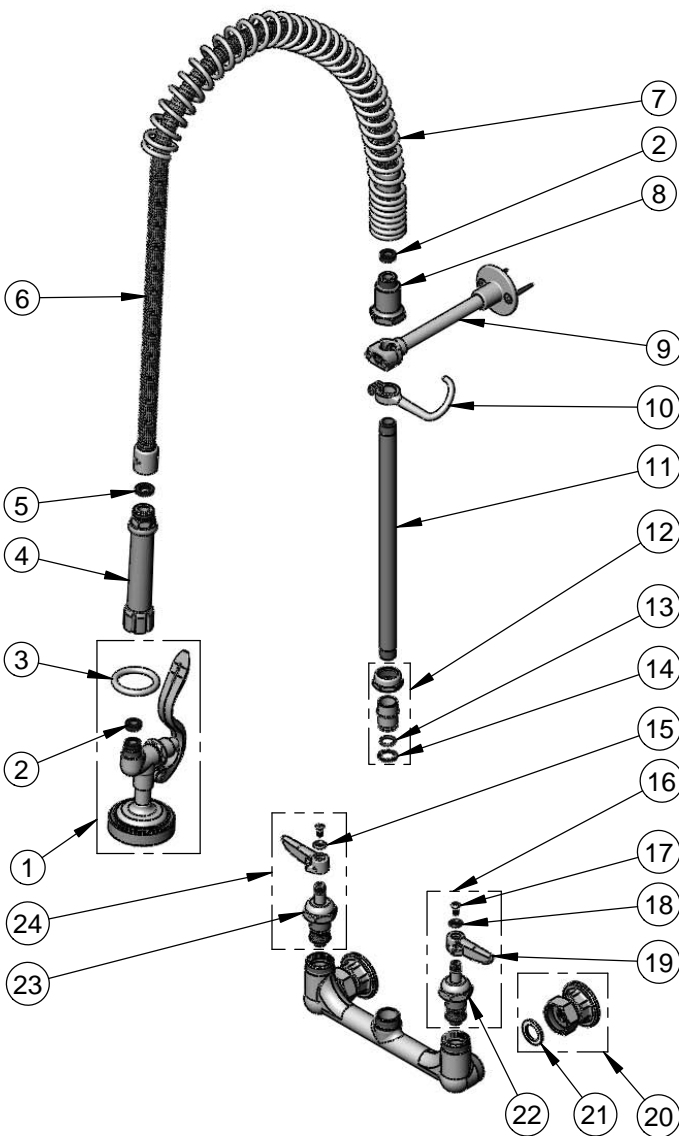
2 Saddleback Cove / P.O. Box 1088  
Travelers Rest, SC 29690

Model No.

**B-0133-CRB-145X**

Item No.

Travelers Rest, SC: 800-476-4103 • Simi Valley, CA: 800-423-0150 • Fax: 864-834-3518 • www.tsbrass.com



ITEM NO.	SALES NO.	DESCRIPTION
1	B-0107	Spray Valve w/ Hold Down Ring & Washer
2	010476-45	#27 Washer
3	000907-45	Spray Valve Hold Down Ring
4	002987-40	Grip Handle
5	001014-45	Washer, B-0100 Hose Barrel
6	B-0044-H2A	44" SS Flex Hose Less Handle
7	000888-45	EasyInstall Overhead Spring
8	000821-40	Spring Body
9	B-0109-01	6" Wall Bracket
10	004R	Finger Hook
11	145X	3/8" NPT x 12" Long Riser
12	EZ-K	EasyInstall Installation Kit
13	001065-45	O-Ring
14	014200-45	Star Washer, Anti-Rotation
15	001661-45	Red Index-HW
16	012447-25	Cerama Cartridge, LTC w/ Check Valve, Handle, Index & Screw
17	000922-45	Lever Handle Screw
18	001660-45	Blue Index-CW
19	001638-45	Lever Handle
20	00AA	1/2" NPT Female Eccentric Flange
21	001019-45	Coupling Nut Washer
22	012395-25	Cerama Cartridge, LTC w/ Bonnet & Check Valve
23	012394-25	Cerama Cartridge, RTC w/ Bonnet & Check Valve
24	012446-25	Cerama Cartridge, RTC w/ Check Valve, Handle, Index & Screw

**Product Specifications:**

Pre-Rinse Unit: EasyInstall 8" Wall Mount Mixing Faucet, Cerama Cartridges, 12" Long Riser, 44" Stainless Steel Flex Hose w/ B-0107 Spray Valve, 6" Wall Bracket, & 1/2" NPT Female Inlets

Drawn

**KJG**

Checked

**DMH**

Approved

**JHB**

Scale:

**NTS**

Date:

**04/23/13**