



Project:

Item Number:

Quantity:

SOFT SERVE GRAVITY FED SINGLE FLAVOR COUNTERTOP MACHINE



ITEMS

C111-37 Single phase, air-cooled

FEATURES

- Cup sensor to prepare machine for the optimal serving experience
- Adjustable carb tube for product mixture flexibility
- Touch screen with intuitive icons
- Reliable and durable brushless motor minimizes downtime
- Lid locks to prevent unintentional use and ensure food safety



DESCRIPTION

Stoelting's Soft Serve Gravity Fed Single Flavor Countertop Machine is the ideal countertop soft serve/yogurt freezer for professional foodservice operations that want to add frozen treats to their menu. This machine has a 1.6-gallon capacity and is easy to use and maintain. The Stoelting C111-37 model is able to dispense into cups, dishes or cones to allow flexibility in your menu offerings.

WARRANTY: Five years on major components; One year on labor and non-wear parts.



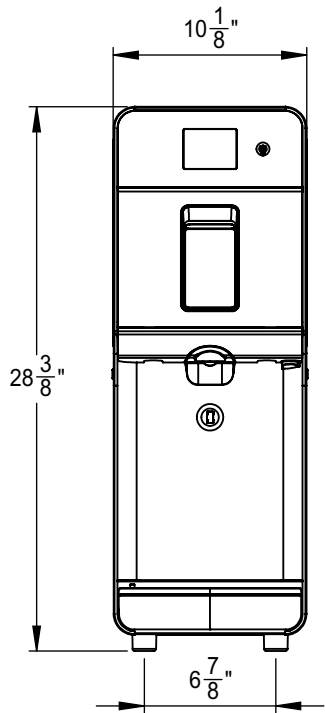
Every machine includes Stoelting's White Glove Service. One call does it all – customer service, technical service, parts or warranty information, installation, startup, sales, on-site service dispatch and much more. Available 24 hours a day, seven days a week year-round.

Continuous research leads to ongoing product improvements; therefore, these specifications are subject to change without notice and should not be used as installation specifications.

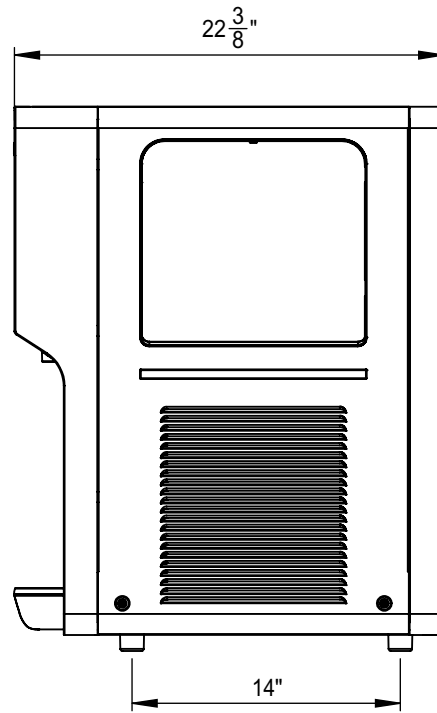
Approvals	Date

SOFT SERVE GRAVITY FED SINGLE FLAVOR COUNTERTOP MACHINE

DIMENSIONS (shown in inches (cm))



Front View



Side View

SPECIFICATIONS

Item No.	Capacity		Electrical				Drive Motor (HP)	Plug	Compressor (Btu/hr)	Weight Lb (Kg)	Crated Weight Lb (Kg)
	Hopper Gal (L)	Freezing Cylinder Gal (L)	Voltage	Hz	Phase	Amps					
C111	1 (4)	0.5 (2)	115	60	1	9		NEMA 5-20P	3630	106 (48.1)	122 (55.3)

For indoor use only. Ambient temperature must be between 41 and 89°F
All models require 6" (15.2 cm) clearance on all sides.



Service Information
800-319-9549 (U.S. Toll Free)
920-894-2293 (Outside the U.S.)
www.stoeltingfoodservice.com
www.vollrath.com