

CA37-ES20-CD-R

Transport Cabinet - Non Insulated



Features:

- Clear door with magnetic latch handle
- Interlocking extruded side panels welded together
- 18" x 26" pans are lip-hung on 1 1/2" centers
- Standard with right hand hinging; left hand hinging available upon request

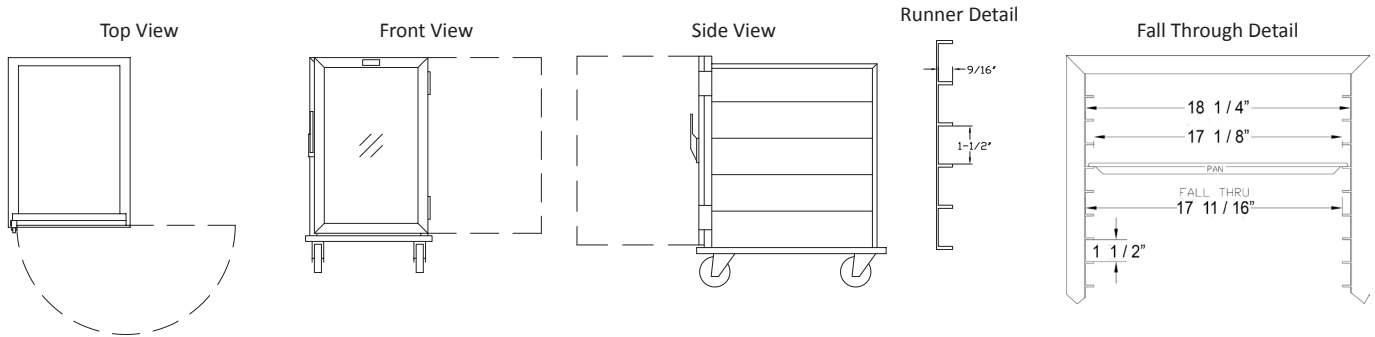
Options:

- Push handle
- Sterno holder
- Perimeter or corner bumpers
- Hasp lock
- Caster options available





CA37-ES20-CD-R
 Transport Cabinet - Non Insulated



Lockwood Model No.	Pan			Exterior Dimensions			Inside Dimensions				Weight
	Angles	Capacity		Width	Depth	Height	Width	Depth	Height		
CA37-ES20-CD-R	Extruded Sides	20	IN	22 3/8	31 3/16	38	18 1/4	28 1/4	30 1/4	LBS	52
			CM	56.85	79.22	96.52	46.36	71.76	76.84	KG	23.59

** Add 2" to width and depth with corner bumper option

Cabinet Specifications:

- Top & back panel: One piece 0.125" aluminum welded to extruded side panels and base
- Side panels: Extruded .070" aluminum panels; welded together.

Base Specifications:

- One piece .125" aluminum; formed construction
- Casters: (4) 5" x 1 1/4" High Tech grey swivel (2 w/brakes); load capacity 250 lbs each (113.4 kg); temp. range -45 ° / +180° F

Door Specifications:

- Frame: 7/8" x 1 3/4" extruded aluminum screwed and welded together
- Panel: .118" clear polycarbonate, fitted into door frame
- Latch: Magnetic type latch handle screwed to door frame
- Hinges: 4" stainless steel - opens 180°
- Gasket: Perimeter; fitted into frame extrusion, flexible PVC rubber

Pan Support Specifications:

- Extruded .070" aluminum

Lockwood reserves the right to change materials and specifications without notice.