

CA67-ES40-SD-R

Transport Cabinet - Non Insulated

Features:

- Solid aluminum door with stainless steel slip latch
- Door swings 270° to fit flush against cabinet with external magnet
- Extruded sides extend 9/16" and will support 18" x 26" and 18" x 13" pans lip-hung on 1 1/2" centers
- Standard with right hand hinging; left hand hinging available upon request

Options:

- Push handle
- Sterno holder
- Perimeter or corner bumpers
- Hasp lock
- Caster options available

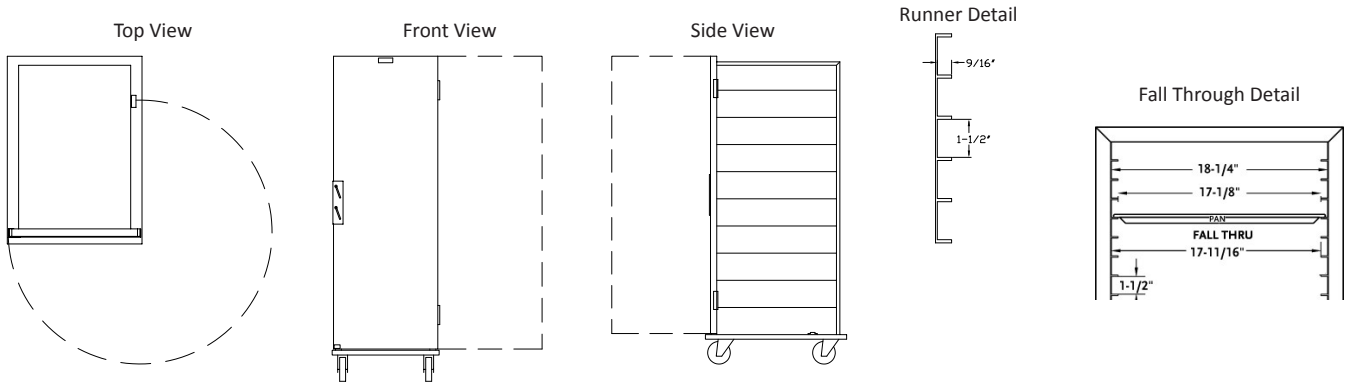


Manufacturing Material and Food Handling Equipment





CA67-ES40-SD-R
 Transport Cabinet - Non Insulated



Lockwood Model No.	Pan			Exterior Dimensions			Inside Dimensions				Weight
	Angles	Capacity		Width	Depth	Height	Width	Depth	Height		
CA67-ES40-SD-R	Extruded Sides	40	IN	22 3/8	31 3/16	67 7/8	18 1/4	28 1/4	60 1/8	LBS	95
			CM	56.85	79.22	172.42	46.36	71.76	152.72	KG	43.09

** Add 2" to width and depth with corner bumper option

Cabinet Specifications:

- Top & back panel: One piece 0.125" aluminum welded to extruded side panels and base
- Side panels: Extruded .070" aluminum panels; welded together.

Base Specifications:

- One piece .125" aluminum; formed construction
- Casters: (4) 5" x 1 1/4" High Tech grey swivel (2 w/brakes); load capacity 250 lbs each (113.4 kg); temp. range -45 ° / +180° F

Door Specifications:

- Panel: 0.125" aluminum door
- Latch: Stainless steel slip latch
- Hinges: 4" stainless steel - opens 270°

Pan Support Specifications:

- Extruded .070" aluminum

Lockwood reserves the right to change materials and specifications without notice.