

EQUIPMENT STANDS

MODEL: ST-42

42" OPEN TYPE STAND
 TWO REMOVABLE DRAIN DRAWER with SPLASH SHIELDS
 ALL STAINLESS STEEL

Cleveland Standard Features

- All Stainless Steel construction with 1 1/4" square tubing
- Adjustable Feet (rear feet are flanged for Floor Bolting)
- Removable combination Drain Drawer (with Splash Shield) and Pan Support
- Ideal for mounting:
 - two KDT-3-Ts*
 - two KDT-D-Ts*
 - two KET-3-Ts
 - one TKET-3-T
 - one TKET-6-T

*Requires Direct Steam Adaptor Top accessory

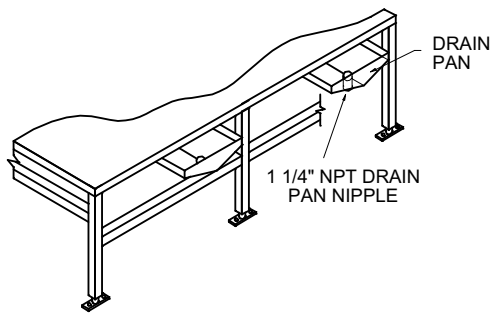
Options & Accessories

- Direct Steam Adaptor Top (AK)

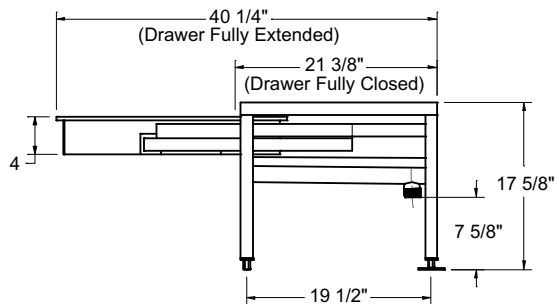
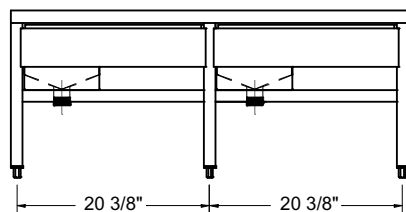
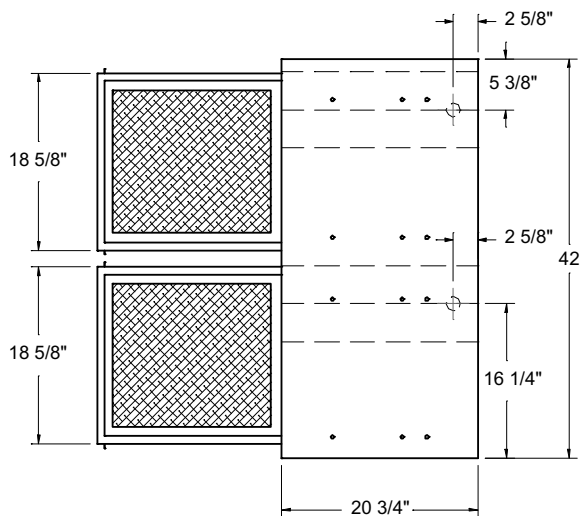


Short Form Specifications

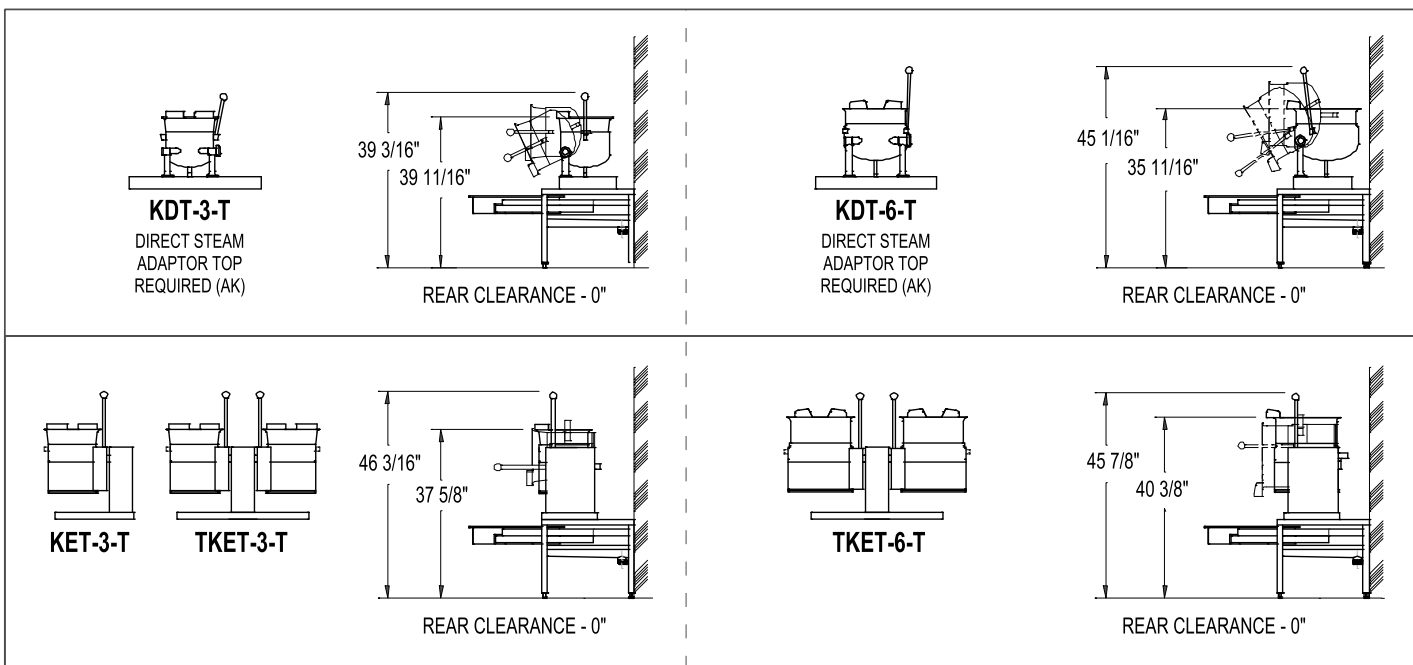
Shall be CLEVELAND, Open Type Equipment Stand with removable Drain Drawer, Splash Shield and Adaptor Top (optional), Model ST-42. All Stainless Steel construction with 1 1/4" square tubing. Furnished with Level Adjustable Feet (rear feet are flanged for Floor Bolting).



REAR VIEW / DRAIN PAN DETAIL



MOUNTING OPTIONS (SELECT TWO SINGLE UNITS OR ONE TWIN UNIT PER STAND)



NOTES:

Cleveland Range reserves right of design improvement or modification, as warranted.
 Many regional, state and local codes exist and it is the responsibility of the owner and installer to comply with the codes.
 Installations of Back Flow Preventers, Vacuum Breakers and other specific code requirements are the responsibility of the Owner and Installer.
 Cleveland Range equipment is built to comply with applicable standards for manufacturers. Included among those approval agencies are U.L., NSF, CGA, CSA, ETL and others.