

SteamChef™ 3 & 6 Equipment Stands

OPEN TYPE STAND,
ALL STAINLESS STEEL,



Cleveland Standard Features

- Preset mounting holes for positioning unit into proper location
- All stainless steel welded construction with:
 - 1 1/4" square tubing for UNISTAND25 and UNISTAND34
 - 1 1/2" square tubing ES26304066E and ES26304466G
- Level adjustable feet (rear feet are flanged for floor bolting)
- Stainless steel bottom shelf

Accessories

- POSK Pull-Out Shelf Kit (P/N 111724)*
 - URK Pan Rack Kit (P/N 111726)*
- *Not available for ES26304066E and ES26304466G

Combination Units



- (2) 22CET3.1**
Requires field installation. This combination includes:
- 2-each 22CET3.1 **SteamChef™** Counter Top Steamers
 - 1-each ChefStackIt Direct Stacking Kit and install hardware
 - 1-each UNISTAND25 Equipment Stacking Stand
 - Common drain and water connection manifold



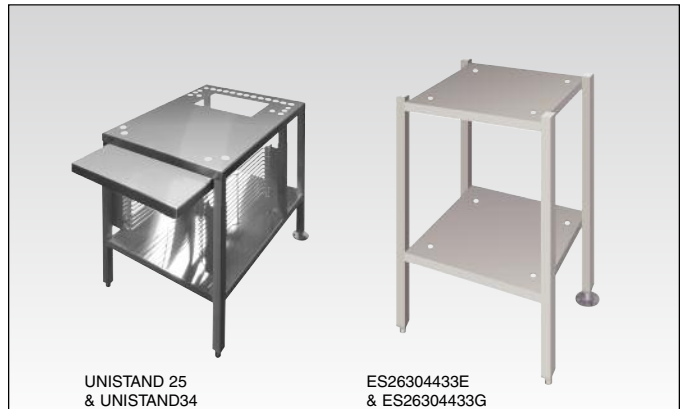
- (2) 22CET6.1**
Requires field installation. This combination includes:
- 2-each 22CET6.1 **SteamChef™** Counter Top Steamers
 - ES26304066E Stacking Stand (PN 111467E)
 - Common drain and water connection manifold



- (2) 22CGT3.1**
Requires field installation. This combination includes:
- 2-each 22CGT3.1 **SteamChef™** Counter Top Steamers
 - 1-each ES26304433G Equipment Stacking Stand
 - Common drain and water connection manifold

- MODELS:**
- UNISTAND25 ELECTRIC UNITS - two 22CET3.1 or one 22CET6.1
GAS UNITS - one 22CGT3.1 or one 22CGT6.1 or two 22CGT3.1 or two 22CGT6.1 on top of one 22CGT6.1
 - UNISTAND34 ELECTRIC UNITS - two 22CET3.1 or one 22CET6.1
GAS UNITS - one 22CGT3.1 or one 22CGT6.1
 - ES26304066E ELECTRIC UNITS - two 22CET6.1
 - ES26304433G GAS UNITS - two 22CGT3.1
 - ES26304466G GAS UNITS - two 22CGT6.1 or one 22CGT3.1 on top of one 22CGT6.1

Additional Stacking Kits required if purchased separately, contact factory.



UNISTAND 25
& UNISTAND34

ES26304433E
& ES26304433G

Short Form Specifications

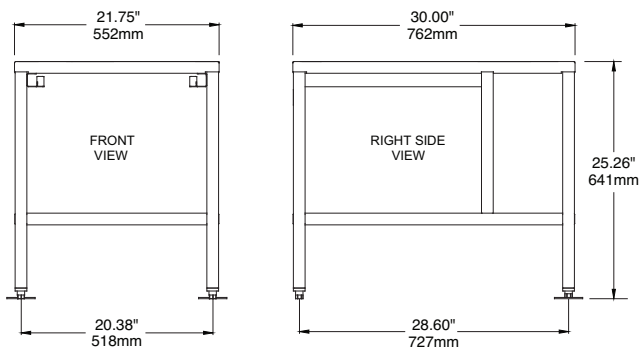
Shall be CLEVELAND, _____ open type Equipment Stands for mounting one or two **SteamChef™** 3's or 6's. All Stainless Steel welded construction with; 1 1/4" square tubing for UNISTAND25 and UNISTAND34; 1 1/2" square tubing for ES263044____. Furnished with Level Adjustable Feet (rear feet are flanged for floor bolting). Preset mounting Holes for positioning unit into proper location.



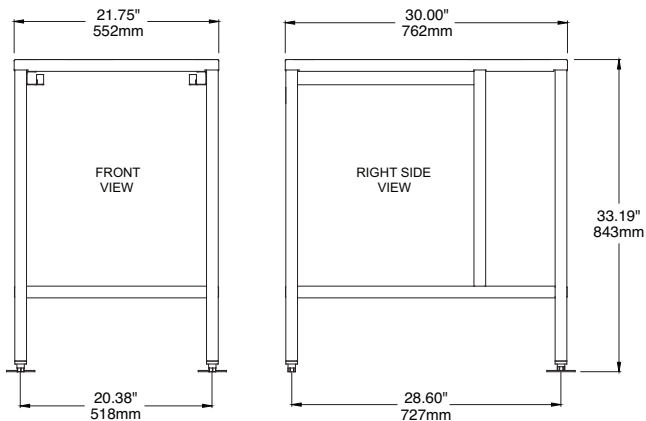
- (2) 22CGT6.1**
Requires field installation. This combination includes:
- 1-each 22CGT6.1 & 22CGT3.1 **SteamChef™** Counter Top Steamers
 - ES26304466G Stacking Stand (PN 113130G)
 - Common drain and water connection manifold



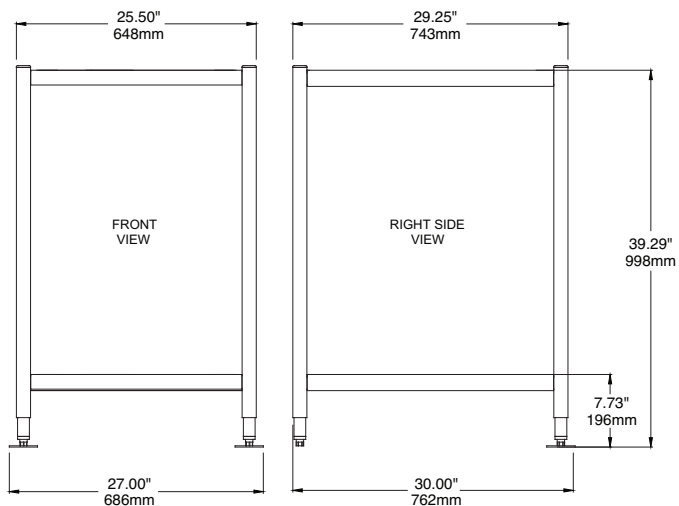
- (2) 22CGT6.1**
Requires field installation. This combination includes:
- 2-each 22CGT6.1 **SteamChef™** Counter Top Steamers
 - ES26304466G Stacking Stand (PN 113130G)
 - Common drain and water connection manifold



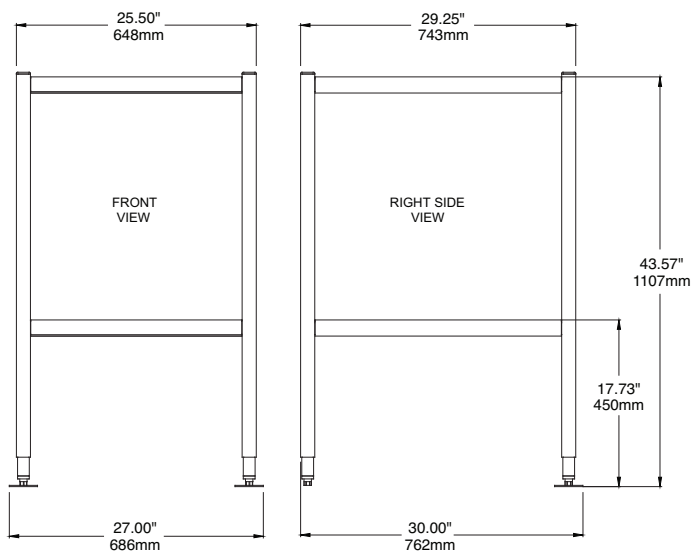
MODEL: UNISTAND25



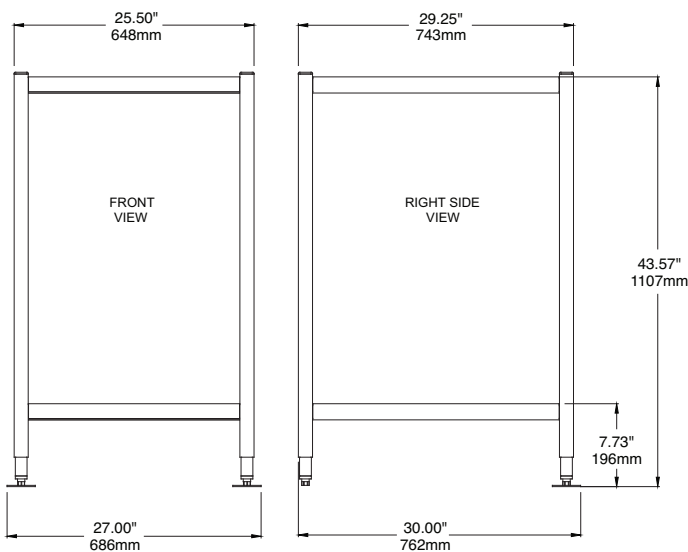
MODEL: UNISTAND34



MODEL: ES26304066E



MODEL: ES26304433G



MODEL: ES26304466G