

 **General Information**

Project Name: _____

Consultant: _____

Item #: _____

Model #: _____

Quantity: _____



 **Specifications**

CMS Model Combination Hand & Utility Sink is constructed of 16GA type 300 series stainless steel. The unit is fully welded, ground and polished to a brushed satin finish.

Sink bowl and utility tub is one piece fully covered unit pitched to individual drains. Combination enclosure covers all plumbing connections in one seamless body with non-drip edges at tub and high backsplash at sink. Utility tub is provided with a stainless welded grate constructed from 1" bars and 1/2" rods. A removable side panel allows access to connections and plumbing.

Sink faucet is a dual control single deck type unit, mounted with a swing spout. Tub faucet is a swivel hose pot filler type with vacuum breaker. The unit is mounted on 16GA 1 5/8" legs with adjustable feet.

 **Product Guide**

Rugged Stainless Steel unit designed for Institutional, Commercial and Industrial applications. Engineered for use in the Kitchen, Janitorial Areas or Liquid Processing Facility for frequent cleaning tasks.

The unit is a combination of IMC/Teddy's rugged wall and utility sinks. Attractively finished for installation in public areas, such as in "open design" establishments.

The upper sink is used for hand-washing and for small tools or accessories. Lower utility/pot sink is used to fill water for use throughout the facility as well as cleaning cans/containers, buckets or ware/utensil containers individually.

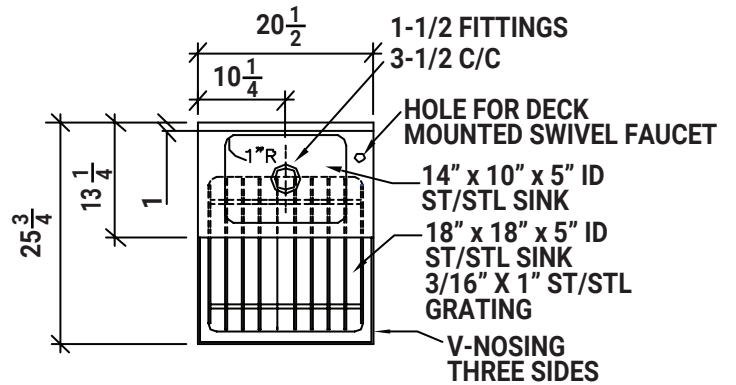
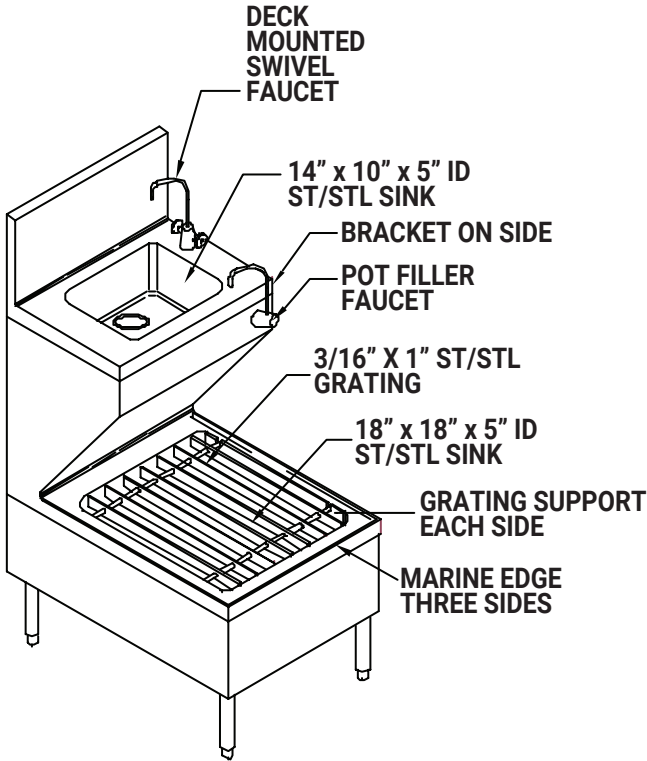
 **Options**

- Faucet on Left Side
- T** - P Trap
- CMS-WRA** - Wrist Action Handles
- LDO-2** - Lever Drain w/ Overflow (Adds Cutout on Front)
- LD-2** - Lever Drain (Adds Cutout on Front)
- EW-S** - Faucet Mounted Eye Wash Station
- Towel Dispensers (see price book p. 61) [Except ITD]
- ADA Grate

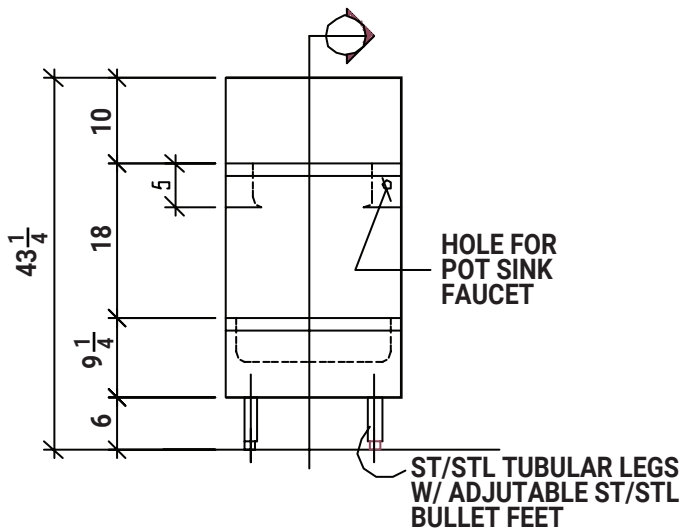
COMBINATION HAND & UTILITY SINK

Model	Description	Bowl Size (W x L x D)	Utility Sink Size (W x L x D)	Overall Size (W x L x H)
<input type="checkbox"/> CMS	Standard Model	14" x 10" x 5½"	18" x 18" x 5"	25" x 20" x 43"
<input type="checkbox"/> CMS-X	No Faucet & Pot Filler	14" x 10" x 5½"	18" x 18" x 5"	25" x 20" x 43"

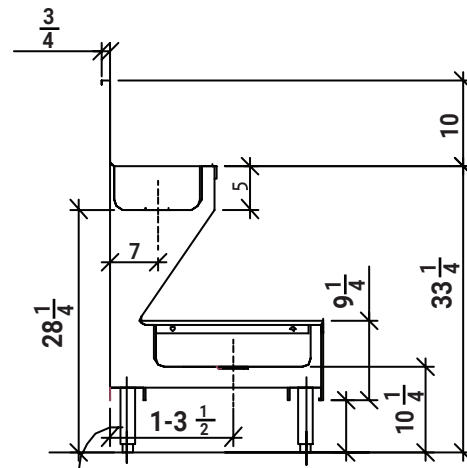
DRAWINGS



PLAN



ELEVATION



END VIEW

Specifications subject to change without notice.

CMS-60 0919