

 **General Information**

Project Name: \_\_\_\_\_

Consultant: \_\_\_\_\_

Item #: \_\_\_\_\_

Model #: \_\_\_\_\_

Quantity: \_\_\_\_\_



 **Specifications**

**CSF** Hand Sink is constructed of 20GA type 300 series stainless steel, with integral backsplash and apron. Sink bowl is deep drawn with non-drip edges and built-in pitch to 1½" waste outlet. Stainless steel front apron conceals bowl. Mount to wall with wall screws through top and lower brackets. Sink bowl is 14" x 10" x 6".

Sink is furnished with an additional pedestal base mechanically attached to underside of bowl.

 **Product Guide**

CS Hand Sinks are dual designed for Institutional and Commercial applications. For use in kitchens and public areas, with abuse resistant features, such as integral apron, multi-point mounting surfaces and high quality faucets.

These sinks are an economical version of Models WS and HS Sinks.

Options are designed to make the sink suitable for a variety of locations throughout the facility, such as prep areas, administrative, receiving and shipping and public areas.

 **Options**

- SS** - Side Splashes (Pair)
- TWB** - Tubular Wall Brackets
- RSOD** - Rear Sink Overflow Drain
- CBW** - Custom Bowl Size

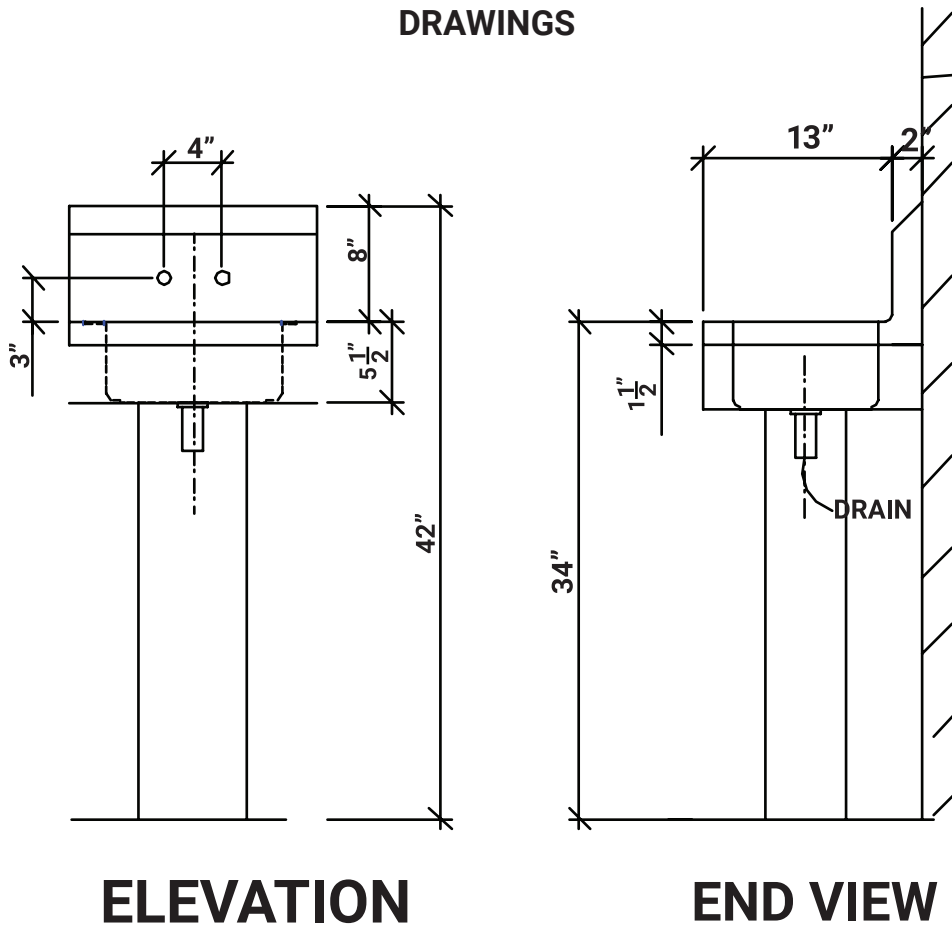
**FREE STANDING HAND SINK - CSW**

Model	Description	Overall Size
<input type="checkbox"/> CSF	With Faucet	17" x 16½" x 40¾"
<input type="checkbox"/> CSF-X	Without Faucet	17" x 16½" x 40¾"



CSF-60 0919

**DRAWINGS**



**ELEVATION**

**END VIEW**

**ACCESSORIES**

(See Price Book Pg. 60-62)



Specifications subject to change without notice.

CSF-60 0919