

 **General Information**

Project Name: \_\_\_\_\_

Consultant: \_\_\_\_\_

Item #: \_\_\_\_\_

Model #: \_\_\_\_\_

Quantity: \_\_\_\_\_



 **Specifications**

**CSW** Wall Hand Sink is constructed of 20GA type 300 series stainless steel, with integral backsplash and apron. Sink bowl is deep drawn with non-drip edges and built-in pitch to 1½" waste outlet. Stainless steel front apron conceals bowl. Mount to wall with wall screws through top and lower brackets. Sink bowl is 14" x 10" x 6".

Sink is mounted to wall with screws through rear flanges and offset wall strip.

 **Product Guide**

CS Hand Sinks are dual designed for Institutional and Commercial applications. For use in kitchens and public areas, with abuse resistant features, such as integral apron, multi-point mounting surfaces and high quality faucets.

These sinks are an economical version of Models WS and HS Sinks.

Options are designed to make the sink suitable for a variety of locations throughout the facility, such as prep areas, administrative, receiving and shipping and public areas.

 **Options**

- SS** - Side Splashes (Pair)
- TLG** - Adjustable Tubular Legs
- TWB** - Tubular Wall Brackets
- RSOD** - Rear Sink Overflow Drain
- CBW** - Custom Bowl Size

**WALL HAND SINK - CSW**

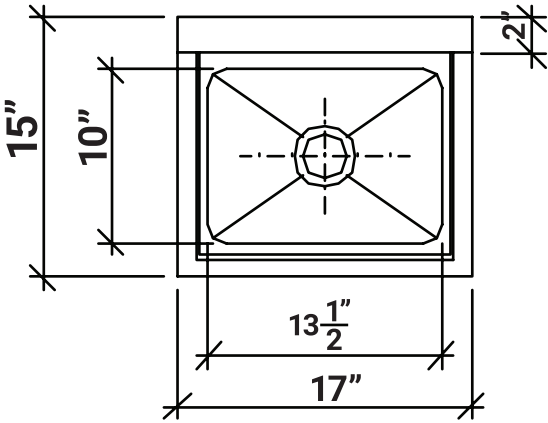
Sink Only Models	Faucet Mounting	Sink w/ Faucet Models	Overall Size
<input type="checkbox"/> CSW-1SX	1 Hole Splash	<input type="checkbox"/> CSW-1S	24" x 22" x 31 <sup>7</sup> / <sub>8</sub> "
<input type="checkbox"/> CSW-2SX	4" OC Splash	<input type="checkbox"/> CSW-2S	24" x 22" x 31 <sup>7</sup> / <sub>8</sub> "
<input type="checkbox"/> CSW-1DX	1 Hole Deck	<input type="checkbox"/> CSW-1D	24" x 22" x 31 <sup>7</sup> / <sub>8</sub> "
<input type="checkbox"/> CSW-2DX	4" OC Deck	<input type="checkbox"/> CSW-2D	24" x 22" x 31 <sup>7</sup> / <sub>8</sub> "
<input type="checkbox"/> CSW-1S-SSX	1 Hole Splash (w/ Side Splashes)	<input type="checkbox"/> CSW-1S-SS	24" x 22" x 31 <sup>7</sup> / <sub>8</sub> "
<input type="checkbox"/> CSW-2S-SSX	4" OC Splash (w/ Side Splashes)	<input type="checkbox"/> CSW-2S-SS	24" x 22" x 31 <sup>7</sup> / <sub>8</sub> "



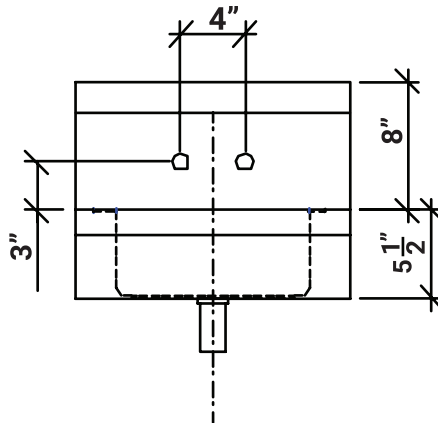
CSW-60 0919



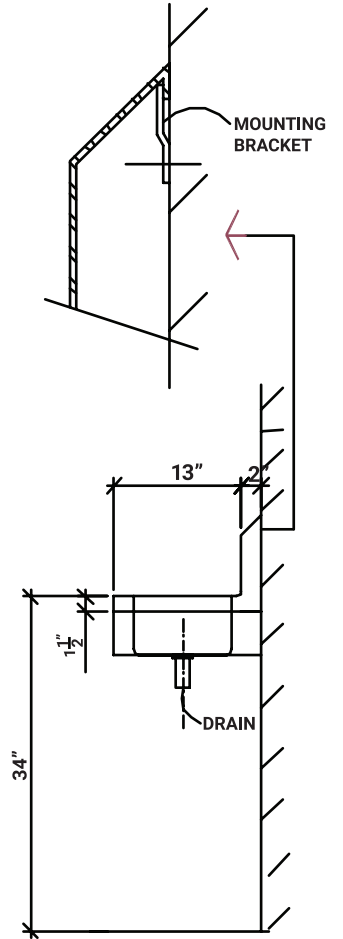
**DRAWINGS**



**PLAN**



**ELEVATION**



**END VIEW**

**ACCESSORIES**

(See Price Book Pg. 60-62)



**RGLH**  
Gooseneck Faucet



**EFD**  
Electronic Faucet



**EW-S**  
Eye Wash Faucet



**TD**  
Towel Dispenser



**CTSD**  
Combo Towel &  
Soap Dispenser



**ITSD**  
Integral Towel &  
Soap Dispenser

Specifications subject to change without notice.

CSW-60 0919