



SALD-1

Salad and Vegetable Drier

Project _____
 Item _____
 Quantity _____
 CSI Section 11400
 Approved _____
 Date _____

SALD-1: Salad and Vegetable Drier

Models

- SALD-1 115V/60Hz salad and vegetable drier



SALD-1

Standard Features

- Body is 18-gauge stainless steel
- Legs are 1" diameter 16-gauge stainless steel tubing
- (3) 4.00" diameter polyurethane locking stem casters
- Outer lid is 18-gauge stainless steel
- Inner liner is perforated durable polyethylene plastic
- Water-tight motor and controls are mounted on the bottom of the unit
- 6' cord and plug supplied
- Unit has 1.50" drain
- Adjustable ON/OFF timer for drying times up to 5 minutes
- Lid and cover storing hooks come standard
- One year parts and 90 day labor warranty

Options & Accessories

- Additional polyethylene liner

Specifications

Outer body is constructed of 18-gauge stainless steel. Legs are 1.00" (25mm) outside diameter, 16-gauge stainless steel tubing with 4.00" (10cm) diameter locking stem casters for mobility.

Outer lid is constructed of 18-gauge stainless steel.

Inner liner is a one-piece durable polyethylene plastic with 0.38" (1cm) diameter holes for proper water disbursement.

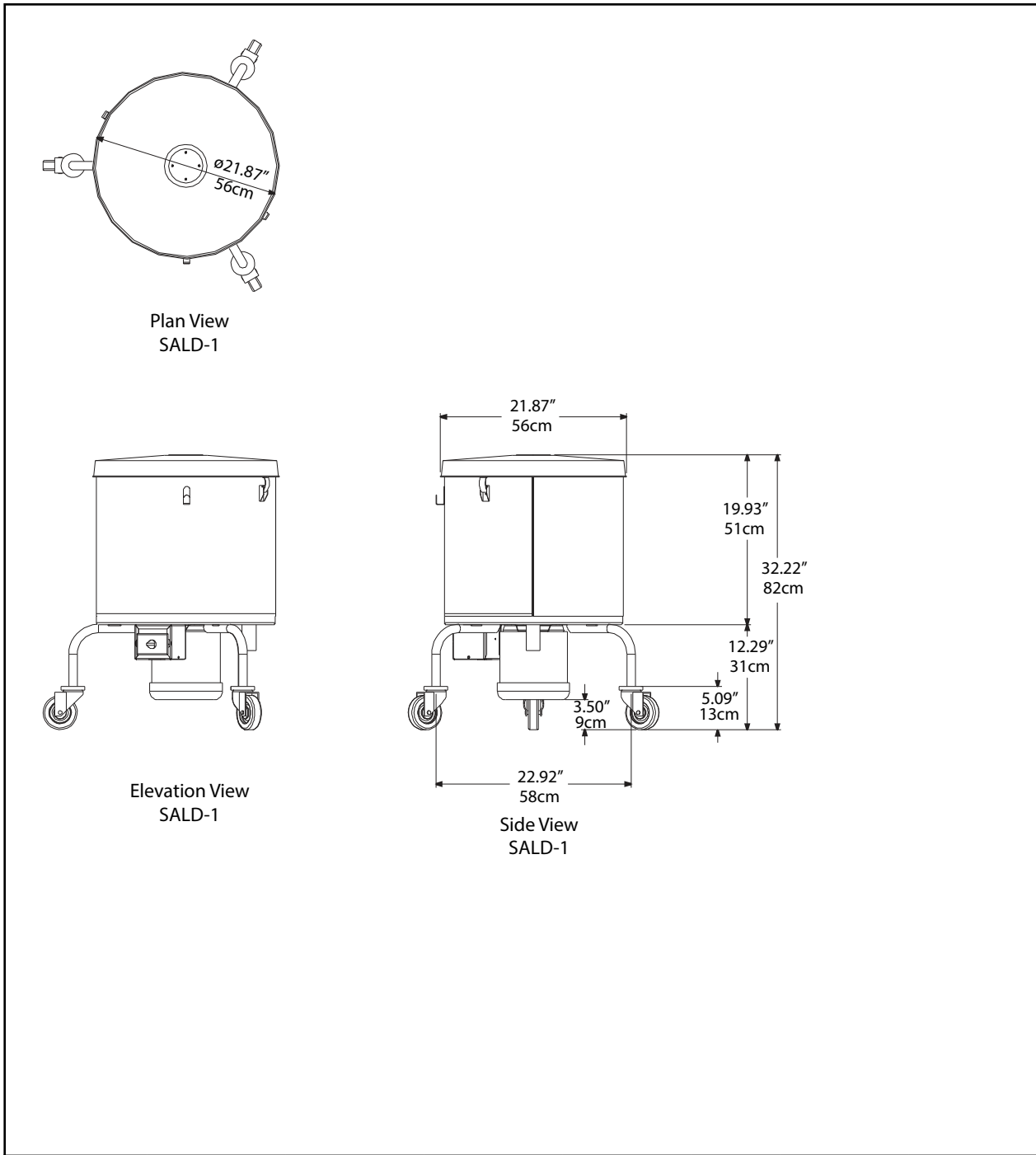
Unit has a completely enclosed, water-tight motor mounted underneath the unit.

Unit has a 1.50" (4cm) outside diameter drain, and an adjustable on/off timer for selection of drying cycles of up to five minutes.

Stainless steel hooks are mounted on the lid and sides of the unit for storage of the lid and cord when unit is not in use.

Electrical box for capacitor and timer control is mounted on the bottom of the unit. Six foot cord and plug are supplied. SALD-1 is 115 Volt, 60 Hertz single phase.





Specifications							
Model	Inner Liner Capacity	Inner Liner Diameter	Inner Liner Depth	V/Hz/Ph	Amps	NEMA Plug	Ship Weight
SALD-1	20 Gal (77L)*	15.62" (40cm)	16.87" (43cm)	115/60/1	2.7	5-15P	70lbs/ 32kg

*Inner liner can hold up to 18 heads of chopped lettuce.

Delfield reserves the right to make changes to the design or specifications without prior notice.