



DRP SERIES

WARMERS & MERCHANDISERS

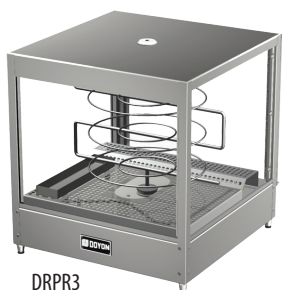
Doyon's countertop display warmers are perfect to keep products warm and tender. Build sales volume with a merchandiser that allows customers to see what is inside while keeping that "just-came-out-of-the-oven" quality. We offer rotating and non-rotating depending on your needs or application.



DRP4



DRPR4



DRPR3



DRP3



DRP4S



DRPR4S

FEATURES

- Compact
- 4 adjustable feet
- Easy read out thermometer
- Internal water pan to help add humidity to ensure product is not only hot but fresh
- Adjustable temp control (175°F/80°C)
- Brightly lit
- Removable glass panels all around
- Stainless steel construction provides a heavy duty long life unit
- Rotating units (DRPR3, DRPR4, DRPR4S)

- DRP3 and DRPR3: Up to 18" (457 mm) pizzas
- DRP4, DRP4S, DRPR4 et DRPR4S: Up to 19 3/4" (502 mm) pizzas
- 120V cord and plug
- Two year parts and one year labor warranty

OPTIONS

- Pass-thru feature (PT)

Experience our top-of-the-line ovens today!



5600 13th Street • Menominee, MI 49858 USA

Phone: 906-863-4401

E-mail: sales@nu-vu.com

Toll free: 1-800-338-9886

www.doyon.qc.ca

Fax: 906-863-5889

www.nu-vu.com

OVERALL DIMENSIONS

DRP3, DRPR3
20 1/8" W X 21 5/8" D X 21 3/8" H
(511 mm X 556 mm X 546 mm)

DRP4, DRPR4, DRP4S, DRPR4S
22 3/8" W X 23 3/4" D X 29 1/8" H
(567 mm X 604 mm X 739 mm)

ELECTRICAL SYSTEM

DRP3, DRPR3

1 Phase:

120V - 8.4 A - 1.1 kW - 60 Hz - 2 wires + ground NEMA 5-15P

DRP4, DRPR4, DRP4S, DRPR4S

1 Phase:

120V - 11.5 A - 1.4 kW - 60 Hz - 2 wires + ground NEMA 5-15P

Other voltages available

FINISH: Stainless steel

SHELF SPACING: 4" (102 mm)

SHIPPING WEIGHT

DRP3, DRPR3: 80 lb (36 kg) approximately
DRP4, DRP4S: 125 lb (57 kg) approximately
DRPR4, DRPR4S: 150 lb (68 kg) approximately

CAPACITY

DRP3, DRPR3

3 - 18" pizzas (1 per shelf)

12 - 9" pizzas (4 per shelf)

12 chickens

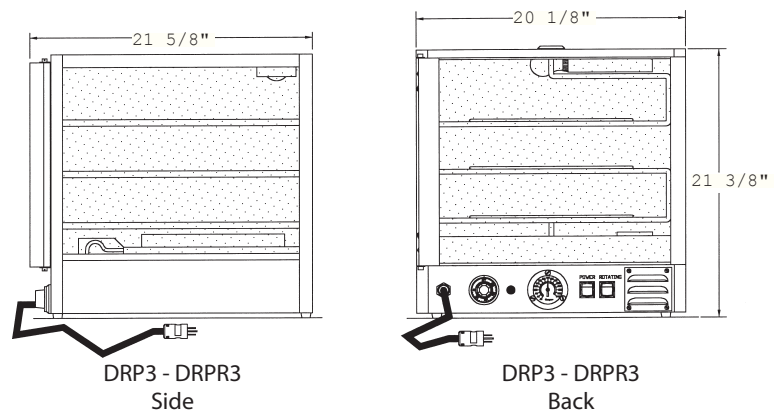
DRP4, DRPR4, DRP4S, DRPR4S

4 - 20" (508 mm) pizzas (1 per shelf)

16 - 9" (229 mm) pizzas (4 per shelf)

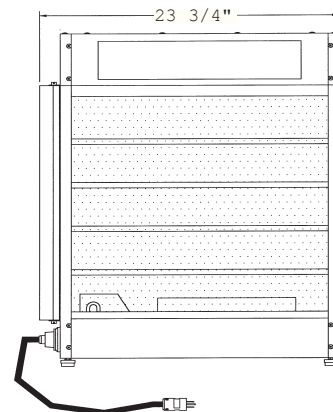
16 chickens

Specifications and design are subject to change without notice.

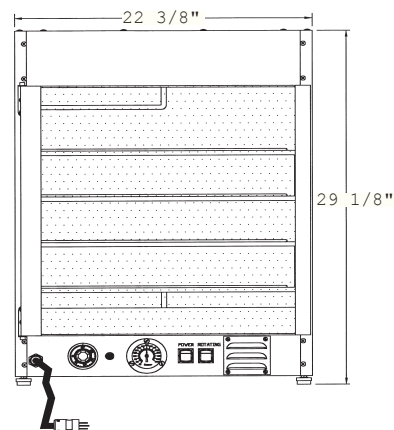


DRP3 - DRPR3
Side

DRP3 - DRPR3
Back



DRP4 - DRP4S
DRPR4 - DRPR4S
Side



DRP4 - DRP4S
DRPR4 - DRPR4S
Back



5600 13th Street • Menominee, MI 49858 USA

Phone: 906-863-4401 E-mail: sales@nu-vu.com

Toll Free: 1-800-338-9886 www.doyon.qc.ca

Fax: 906-863-5889 www.nu-vu.com