



SM302

*“Superior quality product
at an affordable price !”*

BREAD SLICER (SM302)

The Doyon SM302 bread slicer is simply your best buy for slicing up to 240 loaves per hour. Very compact it comes with a standard packing shelf on top and a loaf pusher. Loaves are fed through the slicer by a weight assisted gravity chute.

Please note : This model is not available in the province of Quebec, Canada.

Please see model SM302SG if you are located in the province of Quebec.

Bread slicer

FEATURING

- Table model
- 15" (181 mm) wide blade holder
- Slices loaves of up to 5" (127 mm) high
- Up to 240 loaves/hour capacity
- Slices to 5/8" (16 mm) thickness
- 22" (559 mm) long gravity infeed chute
- 1/4 HP motor
- 120V - 6A - 60 Hz
- One year parts and labor limited warranty

OPTIONAL

- SM302A : slices 3/4" (19 mm) thickness
- SM302B : slices 1/2" (13 mm) thickness
- SM302C : slices 1" (25 mm) thickness
- Stainless steel table on casters (SM302T)

OVERALL DIMENSIONS

23 7/8" W X 27 5/8" D X 29" H
(606 mm X 702 mm X 737 mm)

ELECTRICAL SYSTEM

120V - 1PH - 6 A - 0.7 kW - 60 Hz NEMA 5-15P

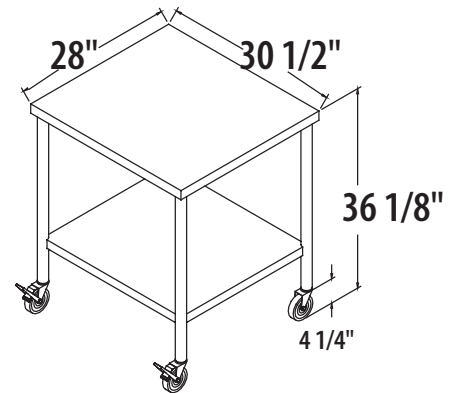
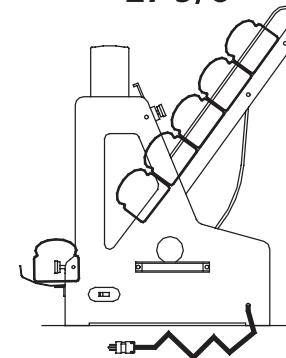
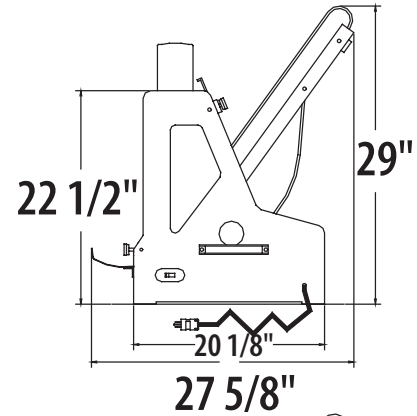
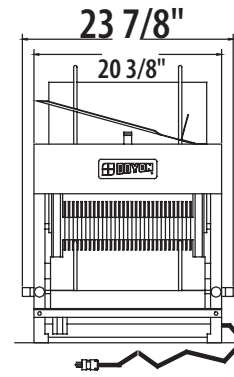
CAPACITY

Up to 240 loaves (15" W X 5"H) (381 mm X 127 mm)per hour

SHIPPING WEIGHT

200 lb (91 kg) approximately

Specifications and design subject to change without notice.

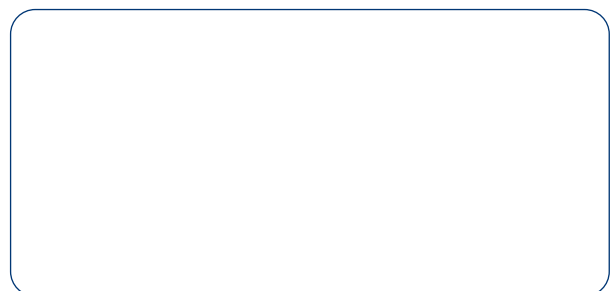


SM302T



Conforms to ANSI/UL std. 763
Certified to CSA C22.2 no.195

Your local distributor:



1255, rue Principale
Linière, Beauce, Québec, Canada G0M 1J0

Telephone : (418) 685-3431 Fax: (418) 685-3948
Canada : (800) 463-1636 U.S.: (800) 463-4273
E-Mail : doyon@doyon.qc.ca Internet: http://www.doyon.qc.ca