



CPF SERIES BREAD SLICERS

Doyon's CPF Series are the most effective bread slicers on today's market. Slice up to 100 loaves per hour. It comes with a standard packing shelf and crumb drawer. Push the handle, put your bread and release the handle, slicer blades automatically start, breads are pushed through with a safety loaf pusher that passes each loaf completely through the slicer blades. The motor stops automatically when the loaf is sliced.



CPF412



CPF416



CPF422



CPF512



CPF516



CPF518



STANDARD FEATURES

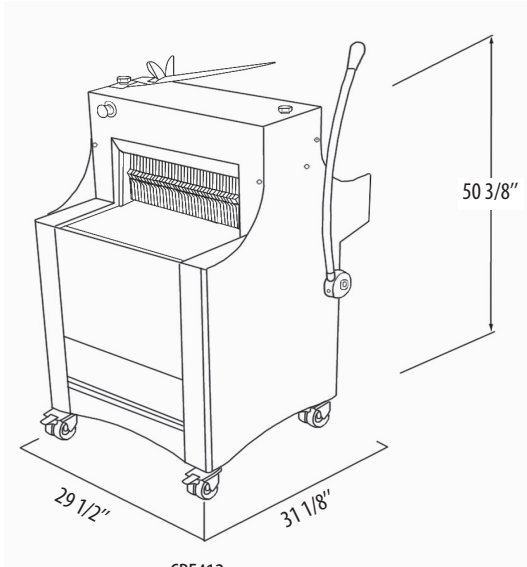
- Slices thickness:
 - Bread maximum length 17 5/16" (440 mm)
 - **CPF412:** 1/2" (12 mm)
 - **CPF416:** 5/8" (16 mm)
 - **CPF418:** 3/4" (18 mm)
 - **CPF422:** 7/8" (22 mm)
 - Bread maximum length 20 1/2" (520 mm)
 - **CPF512:** 1/2" (12 mm)
 - **CPF516:** 5/8" (16 mm)
 - **CPF518:** 3/4" (18 mm)
- Crumb drawer is included
- Includes device for bagging breads
- Capacity of up to 100 loaves per hour
- Floor model
- 4 casters (2 with locks)
- Motor only operates while cutting and automatically stops after bread has been cut
- Mechanically assisted infeed
- Progressive traction lever
- Two year parts and one year labor warranty

*Not for sale in Quebec

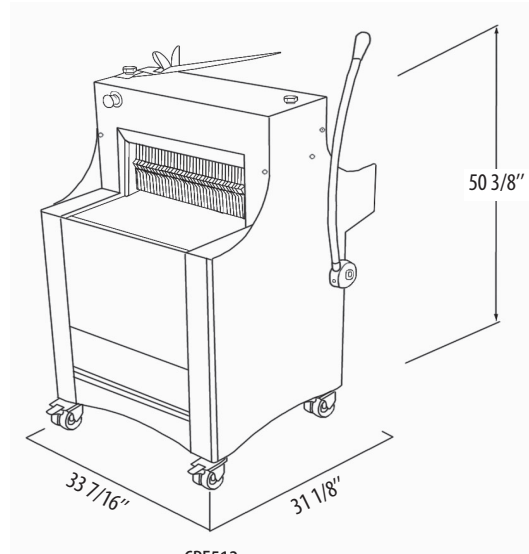
Experience our top-of-the-line products today!



5600 13th Street • Menominee, MI 49858 USA
 Phone: 906-863-4401 E-mail: sales@nu-vu.com
 Toll Free: 1-800-338-9886 www.doyon.qc.ca
 Fax: 906-863-5889 www.nu-vu.com



CPF412
CPF416
CPF418
CPF422



CPF512
CPF516
CPF518

SPECIFICATIONS

Model	Crated Weight lb (kg)	Dimensions			Slices thickness	Bread maximum length	Bread maxi- mum width	Bread maxi- mum height	Motor HP	Electrical system				
		W	D	H						Volts	Amps	Phases	Hz	NEMA
CPF412	580 lb (263)	29 1/2" (750)	31 1/8" (790)	50 3/8" (1280)	1/2" (12)	17 5/16" (440)	12 3/16" (310)	6 5/16" (160)	2/3	120	6	1	60	5-15P
CPF416	580 lb (263)	29 1/2" (750)	31 1/8" (790)	50 3/8" (1280)	5/8" (16)	17 5/16" (440)	12 3/16" (310)	6 5/16" (160)	2/3	120	6	1	60	5-15P
CPF418	580 lb (263)	29 1/2" (750)	31 1/8" (790)	50 3/8" (1280)	3/4" (18)	17 5/16" (440)	12 3/16" (310)	6 5/16" (160)	2/3	120	6	1	60	5-15P
CPF422	580 lb (263)	29 1/2" (750)	31 1/8" (790)	50 3/8" (1280)	7/8" (22)	17 5/16" (440)	12 3/16" (310)	6 5/16" (160)	2/3	120	6	1	60	5-15P
CPF512	660 lb (300)	33 7/16" (850)	31 1/8" (790)	50 3/8" (1280)	1/2" (12)	20 1/2" (520)	12 3/16" (310)	6 5/16" (160)	2/3	120	6	1	60	5-15P
CPF516	660 lb (300)	33 7/16" (850)	31 1/8" (790)	50 3/8" (1280)	5/8" (16)	20 1/2" (520)	12 3/16" (310)	6 5/16" (160)	2/3	120	6	1	60	5-15P
CPF518	660 lb (300)	33 7/16" (850)	31 1/8" (790)	50 3/8" (1280)	3/4" (18)	20 1/2" (520)	12 3/16" (310)	6 5/16" (160)	2/3	120	6	1	60	5-15P



5600 13th Street • Menominee, MI 49858 USA
 Phone: 906-863-4401 E-mail: sales@nu-vu.com
 Toll Free: 1-800-338-9886 www.doyon.qc.ca
 Fax: 906-863-5889 www.nu-vu.com