

VICTORY[®] ULTRASPEC

PROJECT: _____

ITEM # _____ QTY: _____

MODEL # _____

AIA # _____ SIS # _____

TOP MOUNT DISPLAY REFRIGERATOR

GLASS/SOLID HALF-DOOR TOP MOUNT DISPLAY REFRIGERATOR

DRS-2D-S1-HD-HC



CABINET CONSTRUCTION

- Stainless Steel Exterior And Interior
- Removable Sliding Door
- Top Sliding Glass Door/Bottom Solid Swing Doors
- Stay-Open Door Feature For Easy Product Loading
- Interior LED Light
- Heavy-Duty Cylinder Lock (bottom swing door only)
- Low Profile Vertical Door Handles
- Hinged Front Shroud
- 6 Silver Freeze Wire Shelves
- 6" High Adjustable Stainless Steel Legs
- 8' Cord And Plug (see electrical data for details)

FEATURES

- Full Electronic Control With Touchpoint Interface
- Expansion Valve Technology
- Manager's Lockout Feature
- Anti-Condensate Door Perimeter Heaters
- Variable Speed Compressor Technology

REFRIGERATION

- Refrigeration System Uses R-290 Refrigerant To Comply With All Environmental Concerns
- Hot Gas Condensate Evaporator
- Adaptive Defrost For Reduced Energy Consumption And More Consistent Product Temperatures
- Epoxy Coated Evaporator Coil, Located Out Of The Food Zone
- Refrigerator Capable Of Maintaining Product Temperature 36°F To 38°F



- ▶ 3 Year Parts & Labor Warranty Plus An Additional 4 Year Compressor Warranty
- ▶ Exclusive 2 Year Warranty On Magnetic Door Gaskets
- ▶ Lifetime Warranty On Handles & Hinges (parts only)



Please verify qualifying units by visiting:
www.energystar.gov/cfs

OPTIONS & ACCESSORIES

- Secure-Temp™ Technology
- Tie-In (banking) Strips
- Correctional Package
- Stainless Steel Case Back
- Additional Shelves
- FlexTemp Models Maintain Between 28°F And 38°F
- Stainless Steel Kick Plate
- 3", 6" Casters Or 6" Seismic Legs
- Remote Models* (6" legs only) (refrigerant must be specified at time of order, see note on back page)

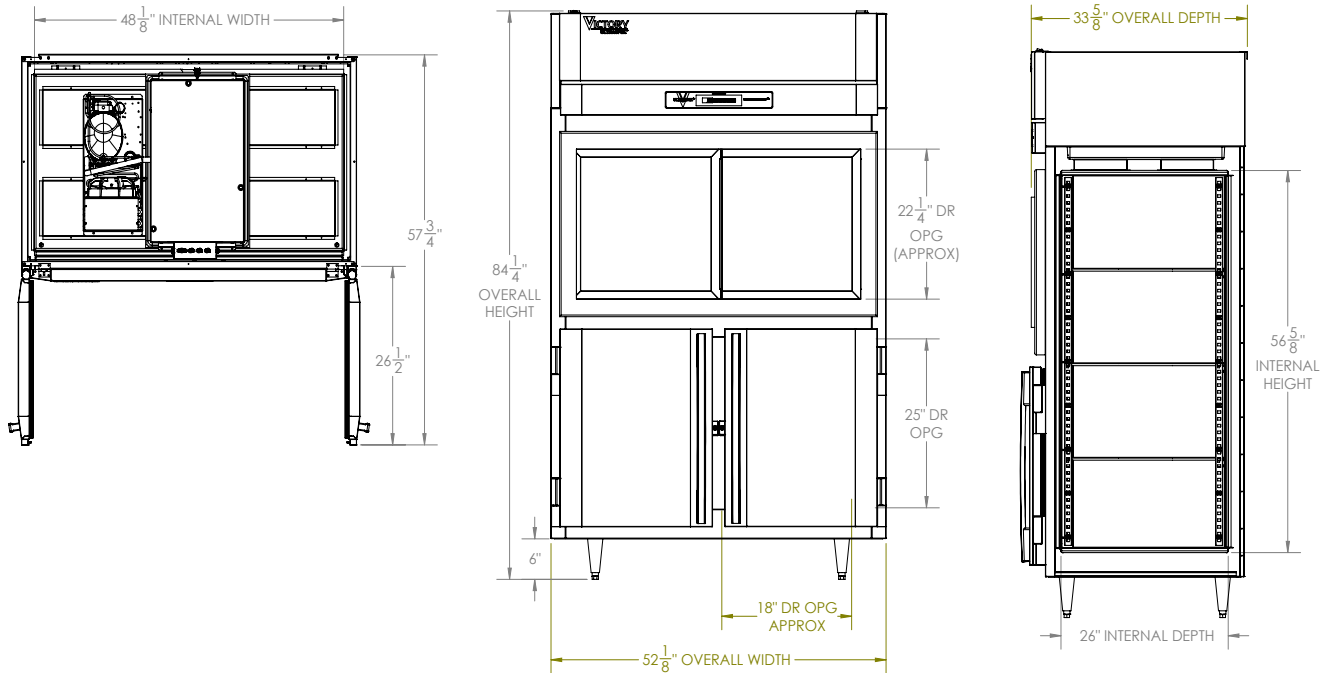
3779 Champion Blvd, Winston-Salem, NC 27105

ph: (888) 845-9800 | fax: (800) 253-5168

Sales@VictoryRefrigeration.com | VictoryRefrigeration.com

Rev. 9/30/21 Printed in the U.S.A.

APPROVAL: _____ DATE: _____



We reserve the right to change specifications and product design without notice. Such revisions do not entitle the buyer to corresponding changes, improvements, additions or replacements for previously purchased equipment. Dimensional tolerances +/- 1/4". Metric dimensions (MM)

12" Top and 3" rear clearance is required

CHARACTERISTICS		ELECTRICAL DATA		SHIPPING DETAILS	
Net Capacity (cubic ft.)	44.94	Cabinet Voltage	115/60/1	Height	88"
Width, Overall (in.)	52 1/8"	Total Amperes	6.5	Width	60"
Depth, Overall (with handle)	33 5/8"	NEMA Plug (8' cord)	5-15P	Depth	45"
Height Overall (6" legs)	84 1/4"	REFRIGERATION DATA		Crated Weight	588 lbs
Depth, Bottom Doors Open 90°	57 3/4"	Condensing Unit Size, HP	1/3	*NOTE: Remote units are field wired and come with 6" legs. Refrigerant must be specified at time of order.	
Door Opening (in.)	Top 18" x 22 1/4" Bottom 18" x 25"	Refrigerant*	R-290		
No. Of Doors/Shelves	4/6	Capacity (BTU/HR) (100°F/20°F)	2800		
		Heat Rejection (BUT/HR)	4200		
		Charge (lbs/grams)	0.3307/150		

3779 Champion Blvd, Winston-Salem, NC 27105 | ph: (888) 845-9800 | fax: (800) 253-5168

Sales@VictoryRefrigeration.com | VictoryRefrigeration.com

Rev. 9/30/21 Printed in the U.S.A.

an Ali Group Company



The Spirit of Excellence