

Dutchess

Bakers' Machinery Company, Inc.

A Subsidiary of Superior-Lidgerwood-Mundy Corp.

A United States of America Manufacturer Since 1886

Item No. _____

Model DUT/PM-502

Dough Rounder / Kneader



- ◆ 24" Diameter Bowl with Moulding Surface.
- ◆ Adjustable Kneading Stroke.
- ◆ Hand Feed or Use Under a Divider.
- ◆ Sealed Heavy Duty Ball Bearings.
- ◆ Easy to Clean Removable Bowl.
- ◆ Top Cast, Anodized Aluminum.
- ◆ Anti-Adhesive Process Moulding Surface.
- ◆ Output of 400—700 pieces Per Hour.
- ◆ 1 oz. up to 24 oz. Per Piece Capacity.
- ◆ 1-Year Parts & Labor Warranty.
- ◆ Minimal Training Required.
- ◆ Pair it with a Dutchess Model BMIH Divider.
- ◆ Clear Molded Cover.
- ◆ On/Off and Emergency Shut Off Switches.
- ◆ Counter Top Design—Minimal Footprint.

ASSOCIATE MEMBER



Manufacturers' Agents for
the Food Service Industry

Dutchess Bakers Machinery Co.

302 Grand Avenue, PO Box 39

Superior, WI 54880-0039

ISO 9001:2008 COMPLIANT

Toll Free: 800-777-4498

Phone: 715-394-4444

Fax: 715-394-2406

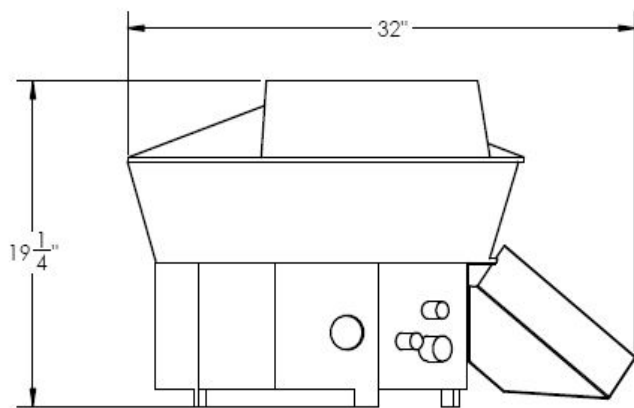
sales@dutchessbakers.com

www.dutchessbakers.com

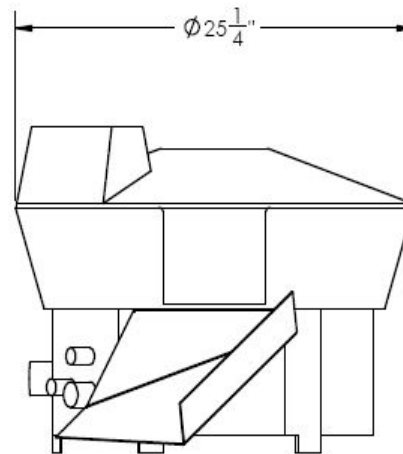
MODEL DUT/PM-502 DOUGH ROUNDER / KEADER

COUNTER TOP MODEL - HAND FED or USED UNDER A DOUGH DIVIDER

GENTLE KEADING ACTION MIMICKS HAND ROUNDING



SIDE VIEW



FRONT VIEW

DIMENSIONS:

Machine: 29" x 26" x 20" - Moulding Bowl: 24"

NET WEIGHT:

Machine - 115 lbs. - Shipping Weight - 150 lbs

ELECTRICAL:

115v/60hz/1-phase, 1/2 hp Motor, Standard NEMA Cord and 5-15 Plug

OUTPUT:

400 - 700 Pieces per hour from a range of 1-ounce up to 24-ounces per piece

STAINLESS STEEL BASE

ANODIZED ALUMINUM FOOD CONTACT PARTS.

NON-SKID RUBBER FEET

Dutchess Bakers' Machinery Co. Inc., 302 Grand Avenue, Superior, WI 54880-0039

Toll Free: 800-777-4498 ~ Ph: 715-394-4444 ~ Fax: 715-394-2406

sales@dutchessbakers.com ~ www.dutchessbakers.com

Printed: June, 2016

Printed in the USA