



Profit from the Eagle Advantage®

Specification Sheet

Short Form Specifications

Eagle Enclosed Base Open Front Urn Stand, model _____. Top to be 16/430 stainless steel with heavy gauge stainless steel body and full depth stainless steel undershelf. Urn trough slopes to a 1" drain and furnished with a removable stainless steel louvered grate. 1 1/2" O.D. stainless steel tubular legs with adjustable bullet feet.

Eagle Enclosed Base Urn Stand with Sliding Doors, model _____. Top to be 16/430 stainless steel with heavy gauge stainless steel body, and full depth stainless steel undershelf. Stainless steel sliding doors on front with recessed handles. Urn trough slopes to a 1" drain and furnished with a removable stainless steel louvered grate. 1 1/2" O.D. stainless steel tubular legs with adjustable bullet feet.



urn stand with sliding doors

Options / Accessories

- Center shelf
- Overshelf
- Serving shelf
- Tray slide
- Tray shelf
- Casters
- Stainless steel feet
- Spec-Master® marine edge
- Decorative laminates

EAGLE GROUP
100 Industrial Boulevard, Clayton, DE 19938-8903 USA
Phone: 302-653-3000 • Fax: 302-653-2065
www.eaglegrp.com

Foodservice Division: Phone 800-441-8440
MHC/Retail Display Divisions: Phone 800-637-5100

For custom configuration or fabrication needs, contact our **SpecFAB Division**.
Phone: 302-653-3000 • Fax: 302-653-3091 • e-mail: specfab@eaglegrp.com

Item No.:	_____
Project No.:	_____
S.I.S. No.:	_____

Urn Stands—Enclosed Base

MODELS:

- US30B
- US3CB
- US40B
- US4CB
- US50B
- US5CB

Construction

- Top is constructed of 16 gauge type 430 series stainless steel with hat channel support.
- Table body is constructed of highly polished 20 gauge stainless steel.
- Legs are 1 1/2" (41mm) O.D. stainless steel tubing fitted with adjustable, non-marking plastic feet.
- Bottom shelf is full depth of unit and welded to outer wrapper.
- Urn trough is 4 3/4" (121mm) wide across top, sloped toward 1" (25mm) drain and complete with full length removable louvered grate.

Sliding doors (when indicated)

- 22 gauge stainless steel construction complete with recessed stainless steel handle.
- Doors sit within an exclusive rollerless track assembly, providing easier cleaning and lower maintenance.

Certifications / Approvals

EG30.10 Rev. 06/08

Spec sheets available for viewing, printing or downloading from our online literature library at www.eaglegrp.com

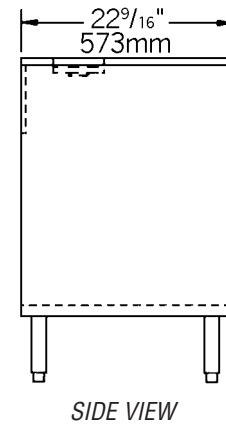
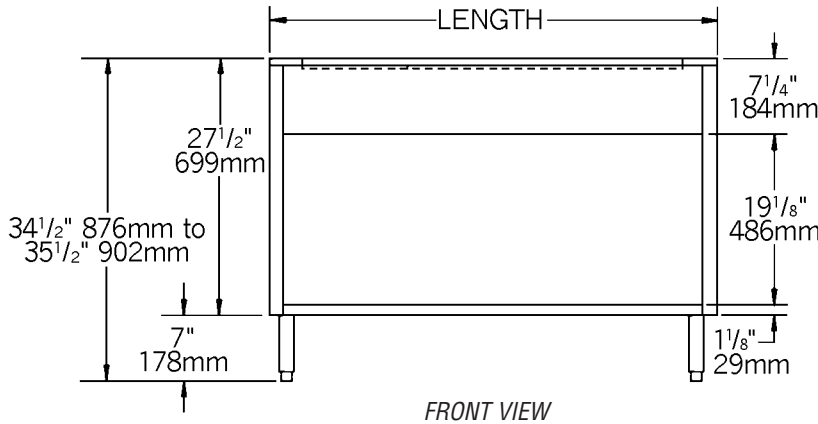
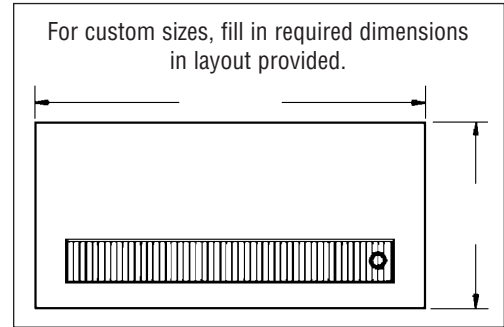
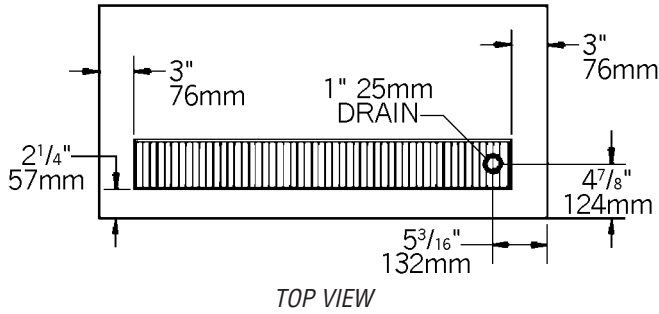
Eagle Foodservice Equipment, Eagle MHC, SpecFAB®, and Retail Display are divisions of Eagle Group. ©2008 by the Eagle Group



Profit from the Eagle Advantage®

Item No.: _____
 Project No.: _____
 S.I.S. No.: _____

Urn Stands—Enclosed Base



WITH OPEN FRONT			WITH SLIDING DOORS			length	
model #	lbs.	kg	model #	lbs.	kg	in.	mm
US3OB	225	102.1	US3CB	233	105.7	48"	1219
US4OB	265	120.2	US4CB	274	124.3	63 1/2"	1613
US5OB	305	138.3	US5CB	315	142.9	79"	2007

All models available with casters. To order, add prefix "P" to model number. Example: PUS5OB
 If urn trough is desired on rear side, add suffix "R" to model number. Example: US30BR

EAGLE GROUP
 100 Industrial Boulevard, Clayton, DE 19938-8903 USA
 Phone: 302-653-3000 • Fax: 302-653-2065
 www.eaglegrp.com

Foodservice Division: Phone 800-441-8440
 MHC/Retail Display Divisions: Phone 800-637-5100

Printed in U.S.A.
 ©2008 by Eagle Group

Rev. 06/08

Spec sheets available for viewing, printing or downloading from our online literature library at www.eaglegrp.com

Although every attempt has been made to ensure the accuracy of the information provided, we cannot be held responsible for typographical or printing errors. Information and specifications are subject to change without notice. Please confirm at time of order.