



Profit from the Eagle Advantage®

Specification Sheet

Short Form Specifications

Eagle Open Base Cold Pan Unit, model _____. Top and body are heavy gauge stainless steel. Cold pan is type 304 stainless steel, fully insulated, 20" front-to-back and 6" deep, with pan sloped to a 1½" NPS drain connection. Galvanized adjustable undershelf with 1½" O.D. galvanized tubular legs. Stationary units feature adjustable bullet feet. Portable units come with stainless steel push handle and 4"-diameter casters—two with brakes.



stationary cold pan unit

Options / Accessories

- Bolted-in undershelf
- Casters
- Overshelves
- Tray slide/shelf
- Dish shelf
- Buffet shelf with sneeze guard
- 8" (203mm) poly cutting board
- 8" (203mm) hardwood cutting board

EAGLE GROUP
100 Industrial Boulevard, Clayton, DE 19938-8903 USA
Phone: 302-653-3000 • Fax: 302-653-2065
www.eaglegrp.com

Foodservice Division: Phone 800-441-8440
MHC/Retail Display Divisions: Phone 800-637-5100

For custom configuration or fabrication needs, contact our **SpecFAB® Division**.
Phone: 302-653-3000 • Fax: 302-653-2065 • e-mail: quotes@eaglegrp.com

Item No.:	_____
Project No.:	_____
S.I.S. No.:	_____

Cold Pan Units— Ice Type, Open Base

MODELS:

- CP-3
- SCP-3
- CP-4
- SCP-4
- CP-5
- SCP-5
- PCP-3
- SPCP-3
- PCP-4
- SPCP-4
- PCP-5
- SPCP-5

Construction

- Heavy gauge 304 stainless steel ice pan is flanged down over heavy gauge stainless steel body.
- The 6" (152mm)-deep ice pan is 20" (508mm)-wide, 2½" (64mm) shorter than overall length of top, and insulated on all four sides and bottom.
- Ice pan slopes down to a 1½" (38mm) drain and plug.
- Undershelf constructed of galvanized steel or stainless steel.
- Legs are 1½" (41mm) diameter.

Design

- Stationary units have non-marking plastic adjustable feet.
- Portable units have 4" (102mm) diameter swivel casters (two with brake) and stainless steel push handle.

Certifications / Approvals



AUTOQUOTES



EG30.15 Rev. 05/15

Spec sheets available for viewing, printing or downloading from our online literature library at www.eaglegrp.com

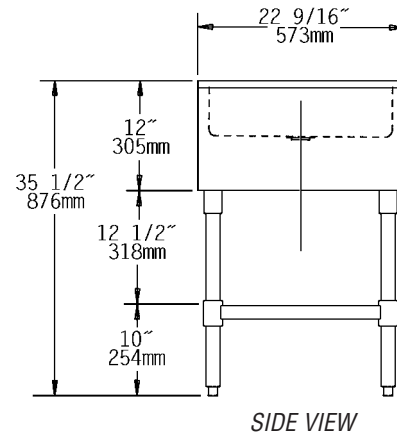
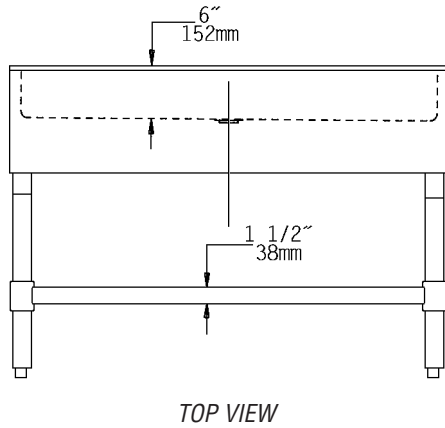
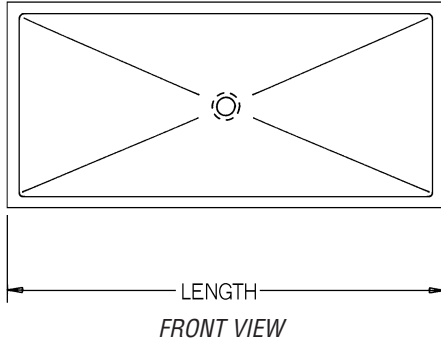
Eagle Foodservice Equipment, Eagle MHC, SpecFAB®, and Retail Display are divisions of Eagle Group. ©2015 by the Eagle Group



Profit from the Eagle Advantage®

Item No.: _____
 Project No.: _____
 S.I.S. No.: _____

Cold Pan Units—Ice Type, Open Base



(Note: Stationary unit shown)

WITH GALVANIZED LEGS & UNDERSHELF		WITH STAINLESS STEEL LEGS & UNDERSHELF		stationary or portable	weight		length		weight	
model #	model #	in.	mm		in.	mm	lbs.	kg		
CP-3	SCP-3	48"	1219	stationary	22 ⁹ / ₁₆ "	573	93	42.2		
PCP-3	SPCP-3	50 ¹ / ₂ "	1283	portable	22 ⁹ / ₁₆ "	573	99	44.9		
CP-4	SCP-4	63 ¹ / ₂ "	1613	stationary	22 ⁹ / ₁₆ "	573	112	50.8		
PCP-4	SPCP-4	66"	1676	portable	22 ⁹ / ₁₆ "	573	118	53.5		
CP-5	SCP-5	79"	2007	stationary	22 ⁹ / ₁₆ "	573	133	60.3		
PCP-5	SPCP-5	81 ¹ / ₂ "	2070	portable	22 ⁹ / ₁₆ "	573	139	63.1		

EAGLE GROUP
 100 Industrial Boulevard, Clayton, DE 19938-8903 USA
 Phone: 302-653-3000 • Fax: 302-653-2065
 www.eaglegrp.com

Foodservice Division: Phone 800-441-8440
 MHC/Retail Display Divisions: Phone 800-637-5100

Printed in U.S.A.
 ©2015 by Eagle Group

Rev. 05/15

Spec sheets available for viewing, printing or downloading from our online literature library at www.eaglegrp.com

Although every attempt has been made to ensure the accuracy of the information provided, we cannot be held responsible for typographical or printing errors. Information and specifications are subject to change without notice. Please confirm at time of order.