



Profit from the Eagle Advantage®

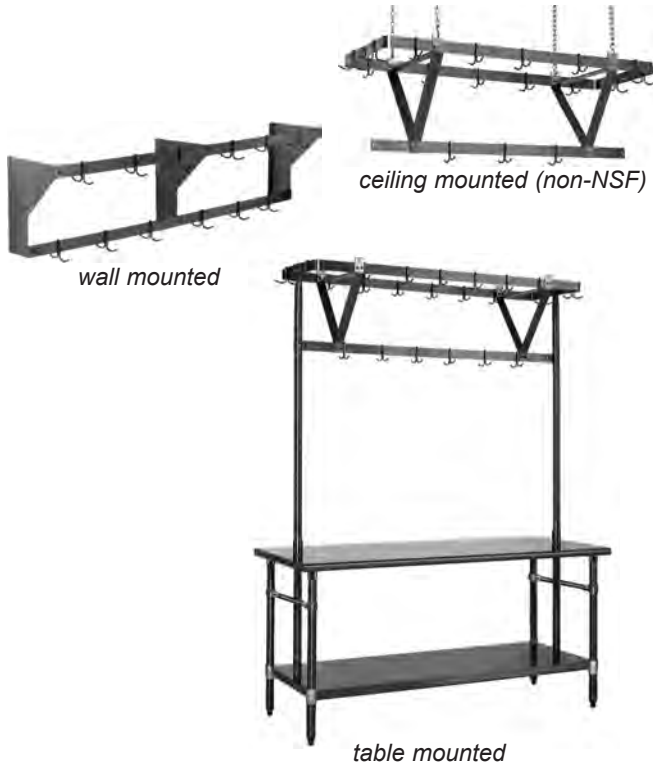
Specification Sheet

Short Form Specifications

Eagle Table Mounted Pot/Pan Rack, model _____.
 Constructed of 3/8" x 2" (aluminum or stainless steel) flat bar, bolted together. Triple bar construction, furnished with one stainless steel double prong sliding pot hook every 12". 1 1/2" O.D. stainless steel tubular supports extend through table and are secured to adjustable undershelf. Available with optional 12" wide 16/304 stainless steel shelf.

Eagle Ceiling Mounted Pot/Pan Rack, model _____.
 Constructed of 3/8" x 2" (aluminum or stainless steel) flat bar, bolted together. Triple bar construction, furnished with one stainless steel double prong sliding pot hook every 12". Provided with plated chain hangers for ceiling suspension.

Eagle Wall Mounted Pot/Pan Rack, model _____.
 Constructed of 3/8" x 2" (aluminum or stainless steel) flat bar bolted together. Furnished with one stainless steel double prong sliding pot hook every 12", and provided with stainless steel mounting brackets.



Item No.: _____
 Project No.: _____
 S.I.S. No.: _____

Racks

MODELS:

- | | | |
|---------------------------------|---------------------------------|---------------------------------|
| <input type="checkbox"/> CM36* | <input type="checkbox"/> TM36* | <input type="checkbox"/> WM36* |
| <input type="checkbox"/> CM48* | <input type="checkbox"/> TM48* | <input type="checkbox"/> WM48* |
| <input type="checkbox"/> CM60* | <input type="checkbox"/> TM60* | <input type="checkbox"/> WM60* |
| <input type="checkbox"/> CM72* | <input type="checkbox"/> TM72* | <input type="checkbox"/> WM72* |
| <input type="checkbox"/> CM84* | <input type="checkbox"/> TM84* | <input type="checkbox"/> WM84* |
| <input type="checkbox"/> CM96* | <input type="checkbox"/> TM96* | <input type="checkbox"/> WM96* |
| <input type="checkbox"/> CM108* | <input type="checkbox"/> TM108* | <input type="checkbox"/> WM108* |
| <input type="checkbox"/> CM120* | <input type="checkbox"/> TM120* | <input type="checkbox"/> WM120* |
| <input type="checkbox"/> CM132* | <input type="checkbox"/> TM132* | <input type="checkbox"/> WM132* |
| <input type="checkbox"/> CM144* | <input type="checkbox"/> TM144* | <input type="checkbox"/> WM144* |

* See charts on back for full model numbers.

Ceiling mounted (non-NSF)

- Racks are triple-bar construction.
- Supported with plated chain hangers supplied.
- Available in stainless steel or aluminum.
- Provided with double-pronged pot hooks.

Wall Mounted

- Racks are double-bar construction.
- Supplied with die-formed stainless steel brackets.
- Available in stainless steel or aluminum.
- Provided with double-pronged pot hooks.

Table Mounted

- Racks are triple-bar construction.
- Front-to-back adjustable crossbracing, plus adjustable undershelf.
- 1 1/2" (41mm) tubular stainless steel supports extend through tabletop and are secured to adjustable undershelf. Units 108" (2743mm) and longer have three supports.
- Provided with double-pronged pot hooks.
- Available in stainless steel or aluminum.

Options / Accessories

- Additional sliding hooks
- All-welded construction
- 12"-wide adjustable shelves (for Table Mounted Racks)

EAGLE GROUP
 100 Industrial Boulevard, Clayton, DE 19938-8903 USA
 Phone: 302-653-3000 • Fax: 302-653-2065
 www.eaglegrp.com

Foodservice Division: Phone 800-441-8440
MHC/Retail Display Divisions: Phone 800-637-5100

For custom configuration or fabrication needs, contact our **SpecFAB® Division**.
 Phone: 302-653-3000 • Fax: 302-653-3091 • e-mail: specfab@eaglegrp.com



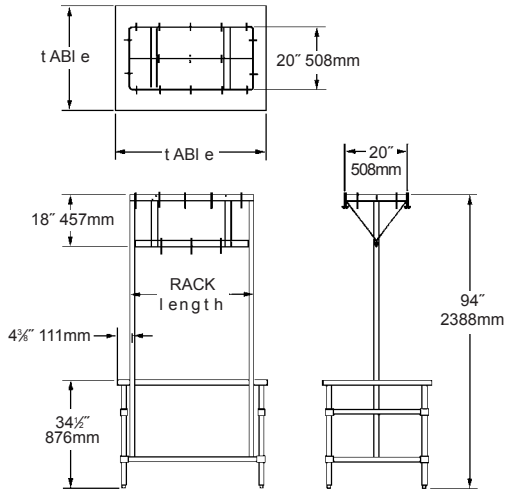
EG10.12 Rev. 01/12

Spec sheets available for viewing, printing or downloading from our online literature library at www.eaglegrp.com



Item No.: _____
 Project No.: _____
 S.I.S. No.: _____

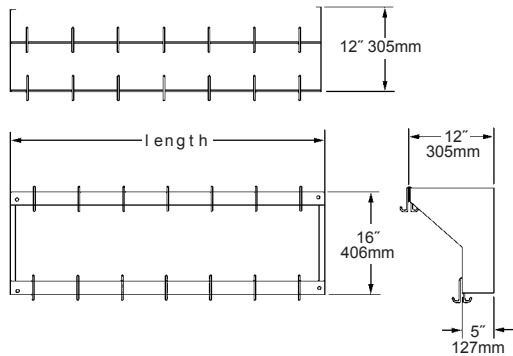
Table Mounted Racks



| ALUMINUM | | STAINLESS STEEL | | rack length | | fits table length | |
|-----------|----------------|-----------------|----------------|-------------|------|-------------------|------|
| model # | weight lbs. kg | model # | weight lbs. kg | in. | mm | in. | mm |
| TM36APR | 38 17.2 | TM36PR | 50 22.7 | 28" | 711 | 36" | 914 |
| TM48APR | 42 19.1 | TM48PR | 57 25.9 | 40" | 1016 | 48" | 1219 |
| TM60APR | 46 20.9 | TM60PR | 64 29.0 | 52" | 1321 | 60" | 1524 |
| TM72APR | 50 22.7 | TM72PR | 70 31.8 | 64" | 1626 | 72" | 1829 |
| TM84APR | 54 24.5 | TM84PR | 77 34.9 | 76" | 1930 | 84" | 2134 |
| TM96APR | 58 26.3 | TM96PR | 83 37.6 | 88" | 2235 | 96" | 2438 |
| TM108APR* | 62 28.1 | TM108PR* | 89 40.4 | 100" | 2540 | 108" | 2743 |
| TM120APR* | 66 29.9 | TM120PR* | 95 43.1 | 112" | 2845 | 120" | 3048 |
| TM132APR* | 71 32.2 | TM132PR* | 102 46.3 | 124" | 3150 | 132" | 3353 |
| TM144APR* | 76 34.5 | TM144PR* | 109 49.4 | 136" | 3454 | 144" | 3658 |

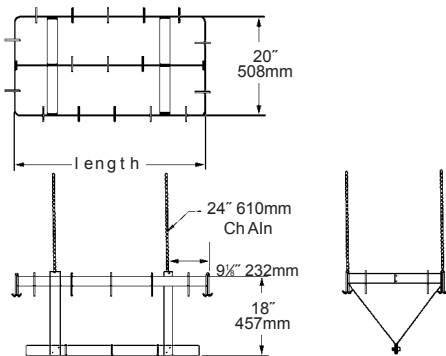
* These racks include center tubular support.

Wall Mounted Racks



| ALUMINUM | | STAINLESS STEEL | | rack length | |
|----------|----------------|-----------------|----------------|-------------|------|
| model # | weight lbs. kg | model # | weight lbs. kg | in. | mm |
| WM36APR | 13 5.8 | WM36PR | 18 8.2 | 36" | 914 |
| WM48APR | 15 6.8 | WM48PR | 22 10.0 | 48" | 1219 |
| WM60APR | 17 7.7 | WM60PR | 26 11.8 | 60" | 1524 |
| WM72APR | 19 8.6 | WM72PR | 29 13.2 | 72" | 1829 |
| WM84APR | 21 9.5 | WM84PR | 33 15.0 | 84" | 2134 |
| WM96APR | 23 10.4 | WM96PR | 37 16.8 | 96" | 2438 |
| WM108APR | 25 11.3 | WM108PR | 41 18.6 | 108" | 2743 |
| WM120APR | 28 12.7 | WM120PR | 45 20.4 | 120" | 3048 |
| WM132APR | 31 14.1 | WM132PR | 50 22.7 | 132" | 3353 |
| WM144APR | 34 15.4 | WM144PR | 55 24.9 | 144" | 3658 |

Ceiling Mounted Racks



| ALUMINUM | | STAINLESS STEEL | | rack length | |
|----------|----------------|-----------------|----------------|-------------|------|
| model # | weight lbs. kg | model # | weight lbs. kg | in. | mm |
| CM36APR | 28 12.7 | CM36PR | 41 18.6 | 28" | 711 |
| CM48APR | 32 14.5 | CM48PR | 48 21.8 | 40" | 1016 |
| CM60APR | 36 16.3 | CM60PR | 54 24.5 | 52" | 1321 |
| CM72APR | 40 18.1 | CM72PR | 60 27.2 | 64" | 1626 |
| CM84APR | 44 20.0 | CM84PR | 67 30.4 | 76" | 1930 |
| CM96APR | 48 21.8 | CM96PR | 74 33.6 | 88" | 2235 |
| CM108APR | 53 24.0 | CM108PR | 81 36.7 | 100" | 2540 |
| CM120APR | 58 26.3 | CM120PR | 87 39.5 | 112" | 2845 |
| CM132APR | 63 28.6 | CM132PR | 94 42.6 | 124" | 3150 |
| CM144APR | 68 30.8 | CM144PR | 101 45.8 | 136" | 3454 |

EAGLE GROUP
 100 Industrial Boulevard, Clayton, DE 19938-8903 USA
 Phone: 302-653-3000 • Fax: 302-653-2065
 www.eaglegrp.com

Foodservice Division: Phone 800-441-8440
 MHC/Retail Display Divisions: Phone 800-637-5100

Printed in U.S.A.
 ©2012 by Eagle Group

Rev. 01/12

Spec sheets available for viewing, printing or downloading from our online literature library at www.eaglegrp.com

Although every attempt has been made to ensure the accuracy of the information provided, we cannot be held responsible for typographical or printing errors. Information and specifications are subject to change without notice. Please confirm at time of order.