



Profit from the Eagle Advantage®
Foodservice Division: (800) 441-8440
MHC/Retail Display Divisions: (800) 637-5100
 FAX: (302) 653-2065

Product

Announcement

Item #:	_____
Model #:	_____
Project #:	_____
SIS #:	_____

EG8120 Rev. 04/15

Short Form Specifications

Eagle Portable Hand Sink with Sink Bowl, model _____. Heavy gauge s/s cabinet with double pan hinged s/s door and lock. 10" x 14" x 5" deep s/s sink and deck mount faucet. Furnished with soap dispenser, paper towel dispenser, trash chute, 115 volt pump, 5-gallon fresh water tank, and 7-gallon waste water tank, GFCI electrical outlet, 10' cord/plug with cord wrap.

Eagle Portable Hand Sink with Water Plate, model _____. Heavy gauge s/s cabinet with double pan hinged s/s door and lock. 12½" x 16" acrylic water plate and deck mount faucet. Furnished with soap dispenser, paper towel dispenser, trash chute, 115 volt pump, 5-gallon fresh water tank, and 7-gallon waste water tank, GFCI electrical outlet, 10' cord/plug with cord wrap.

Features

- Available with hot and cold water which includes a hot water heater, or just cold water
- Stainless steel cabinet body with locking door
- Deck mount faucet with 8" spout and ¼ turn handles
- Standard towel rack accommodates standard household paper towels
- Deck mount soap dispenser
- 4" casters (2 w/brake, 2 swivel), non-marking tread
- 5-gallon fresh water tank
- 7-gallon soiled water tank
- Box marine edge top

Bowls

- Stainless bowl available in 1-3 compartments/bowls*
- Removable acrylic water plate (patent pending) is 12½" x 16" and drains into a stainless steel trough

* Two and three compartment bowls available through our SpecFAB® Division.

Options

- Stainless steel towel dispenser
- Electronic-eye faucet
- Perimeter bumper
- Extra 5-gallon fresh tank
- Extra 7-gallon soiled tank

For custom configuration or fabrication needs, contact our **SpecFAB® Division**.
 Phone: (302) 653-3000. FAX: (302) 653-2065.
 E-mail: quotes@eaglegrp.com

Portable Sinks

Self-contained, mobile, compact...Ready to go!

Stainless Steel Bowl



Acrylic Water Plate*



Note: Paper towels sold separately.

* **Portable sinks** with *removable acrylic water plate* (patent pending) allows for a cutting board to be placed on top of the cabinet for use as a work surface. The water plate can be stored in the lockable cabinet. The optional cutting board is sized for the cabinet and sits securely in the box marine edge. Unit also features recessed casters. Optional c-fold towel dispenser available on the side, eliminating the towel rack on the top.



Eagle Portable Sinks

...with Stainless Steel Sink Bowl

Cold Water Only

width		length		height		weight *		model #
in.	mm	in.	mm	in.	mm	lbs.	kg	
24"	610	26"	660	44½"	1130	232	105.2	PHS-S-C

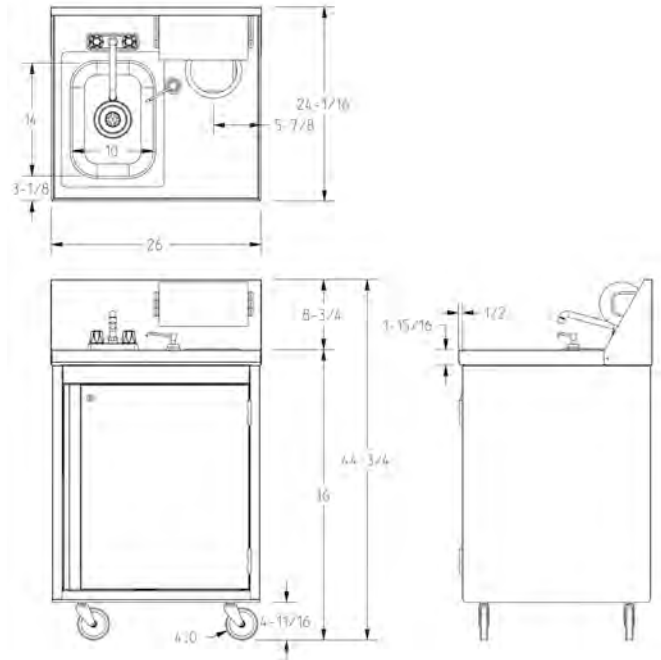
* Weights reflect empty water tanks.

Hot & Cold Water**

width		length		height		weight *		model #
in.	mm	in.	mm	in.	mm	lbs.	kg	
24"	610	26"	660	44½"	1130	232	105.2	PHS-S-H

* Weights reflect empty water tanks.

** Hot water heater plugs into a standard 110 outlet. Features a glass lined tank for longer life and a temperature/pressure relief valve.



...with Removable Acrylic Water Plate ▼ (patent pending)

Cold Water Only

width		length		height		weight *		model #
in.	mm	in.	mm	in.	mm	lbs.	kg	
24"	610	26"	660	44½"	1130	232	105.2	PHS-A-C

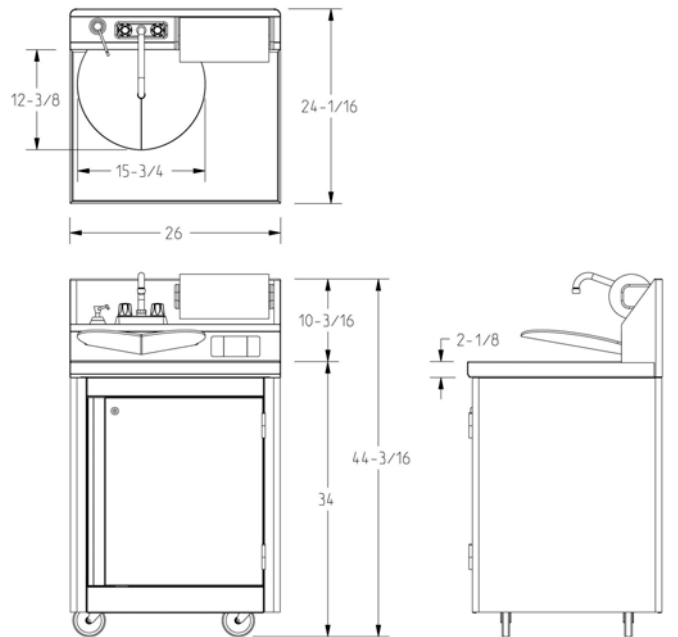
* Weights reflect empty water tanks.

Hot & Cold Water**

width		length		height		weight *		model #
in.	mm	in.	mm	in.	mm	lbs.	kg	
24"	610	26"	660	44½"	1130	232	105.2	PHS-A-H

* Weights reflect empty water tanks.

** Hot water heater plugs into a standard 110 outlet. Features a glass lined tank for longer life and a temperature/pressure relief valve.



▼ Optional Cutting Board for Sinks with Water Plate

Remove the water plate first, then simply lay the cutting board across the top of the unit.

model # 376509



▼ Note regarding optional electronic-eye faucets used on sinks with water plate...

When the plate is removed (typically for using the optional cutting board), the faucet automatically remains off. This acts as a safety feature to prevent the faucet from being activated while doing prep work.

suffix # -FE (example: PHS-A-H-FE)

