



# CONVECTION OVEN

## CONCEPT

### COUNTERTOP CONVECTION OVENS

*From pastries to entrees...*

*Bakes fast and evenly, intensifies and seals in flavor*



FC-26

- Stainless steel exterior and interior construction
- 2 or 3 wire rack models; 4 bake tray capacity
- Rear fan and heater assembly creates true convection pattern
- Unique air flow design ensures quick and uniform baking
- 480°F thermostat and 120 minute timer
- Safety glass door with handle
- Aluminum bake pan included
- Compact footprint

### WINDSTAR

FC-26 /1  
120 V

FC-26  
208/240 V



**CAPACITY:** 2 wire racks and 1 bake tray included;  
4 bake trays (not included)

### SIROCCO

FC-34/1  
120 V

FC-34  
208/240 V



**CAPACITY:** 3 wire racks and 1 bake tray included;  
4 bake trays (not included)

### TEMPEST

FC-33/1  
120 V

FC-33  
208/240 V



**Convection oven/broiler**

All features of FC-34 with two quartz heating elements overhead - convection and broiling modes operate separately



765 WESTMINSTER STREET PROVIDENCE, RI 02903  
TEL: (401)273-3300 FAX: (401)273-3328 E-mail: sales@equipex.com  
www.equipex.com



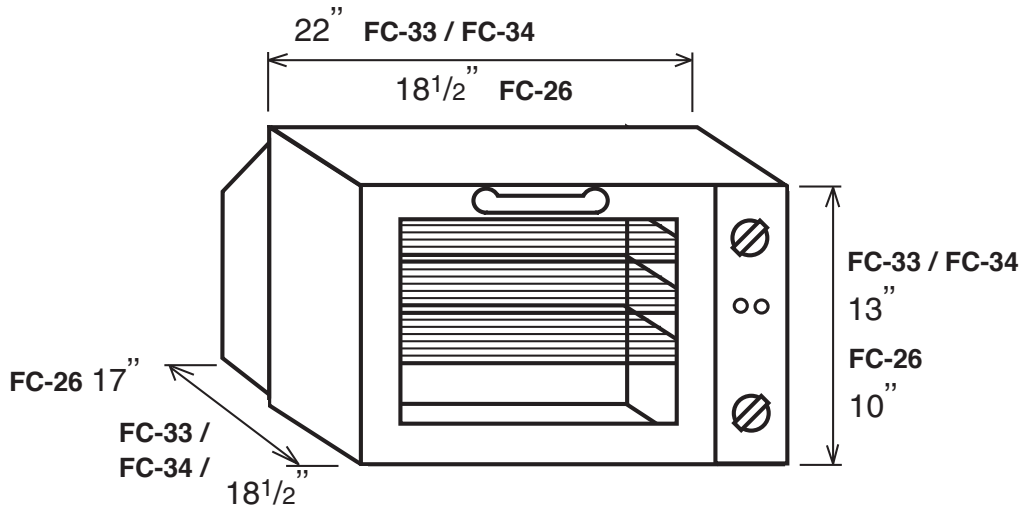
## CONVECTION OVEN/BROILER

**FC-33/1**  
**FC-33**

All features of FC-34 with two quartz heating elements overhead - convection and broiling modes operate separately

### CONVECTION OVENS

FC-26, FC-26/1, FC-34, FC-34/1



INSTALLATION CLEARANCE: 2" EACH SIDE, TOP AND 3" AT BACK

## SPECIFICATIONS

MODEL	ELECTRICAL	EXTERIOR DIMENSIONS	INTERIOR DIMENSIONS	SHIPPING WEIGHT	NEMA PLUG
FC-26	208/240V, 1PH, 2KW, 7/9 Amps	18 1/2"Wx17"Dx10"H	14"Wx12"Dx9"H	35 lbs	6-15 P
FC-26/1	120V, 1.7KW, 15 Amps	18 1/2"Wx17"Dx10"H	14"Wx12"Dx9"H	35 lbs	5-15 P
FC-33	208/240V, 1PH, 3KW, 13/15 Amps	22"Wx18 1/2"Dx13"H	16"Wx11 1/2"Dx10"H	45 lbs	6-15 P
FC-33/1	120V, 1.7KW, 15 Amps	22"Wx18 1/2"Dx13"H	16"Wx11 1/2"Dx10"H	45 lbs	5-15 P
FC-34	208/240V, 1PH, 3KW, 13/15 Amps	22"Wx18 1/2"Dx13"H	16"Wx11 1/2"Dx10"H	45 lbs	6-15 P
FC-34/1	120V, 1.7KW, 15 Amps	22"Wx18 1/2"Dx13"H	16"Wx11 1/2"Dx10"H	45 lbs	5-15 P

**WARRANTY: Limited one year parts and labor**



765 WESTMINSTER STREET PROVIDENCE, RI 02903  
TEL: (401)273-3300 FAX: (401)273-3328 E-mail: sales@equipex.com  
www.equipex.com